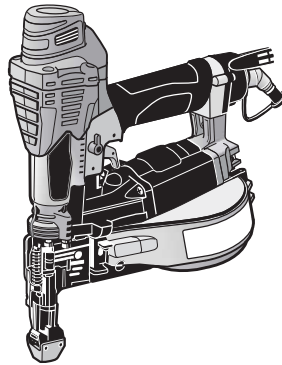


MAX[®]

HVR41G4(CE)

COLLATED SCREW FASTENING SYSTEM
MAGAZINSCHRAUBER
SYSTÈME DE FIXATION PAR VIS
ASSEMBLÉES EN BANDE
SISTEMA DI FISSAGGIO VITI A NASTRO
SISTEMA DE APRIETE DE TORNILLO EN
SECUENCIA



**OPERATING AND MAINTENANCE MANUAL
BETRIEBSANLEITUNG
MANUEL D'UTILISATION ET D'ENTRETIEN
MANUALE DI FUNZIONAMENTO E MANUTENZIONE
MANUAL DE OPERACIONES Y MANTENIMIENTO**

Original Language English

	BEFORE USING THIS TOOL, STUDY THIS MANUAL TO ENSURE SAFETY WARNING AND INSTRUCTIONS. KEEP THESE INSTRUCTIONS WITH THE TOOL FOR FUTURE REFERENCE.
WARNING	
	LESEN SIE VOR INBETRIEBNAHME DES GERÄTES DIE GEBRAUCHS- UND SICHERHEITSHINWEISE. BITTE BEWAHREN SIE DIE GEBRAUCHS- UND SICHERHEITSHINWEISE AUF, DAMIT SIE AUCH SPÄTER EINGESEHEN WERDEN KÖNNEN.
WARNUNG	
	AVANT D'UTILISER CET OUTIL, LIRE CE MANUEL ET LES CONSIGNES DE SÉCURITÉ AFIN DE GARANTIR UN FONCTIONNEMENT SÛR. CONSERVER CE MANUEL EN LIEU SÛR AVEC L'OUTIL AFIN DE POUVOIR LE CONSULTER ULTÉRIEUREMENT.
AVERTISSEMENT	
	PRIMA DI USARE QUESTO STRUMENTO, STUDIARE IL MANUALE PER PRENDERE ATTO DELLE AVVERTENZE E DELLE ISTRUZIONI PER LA SICUREZZA. TENERE QUESTE ISTRUZIONI INSIEME ALLO STRUMENTO PER CONSULTAZIONI FUTURE.
ATTENZIONE	
	ANTES DE UTILIZAR ESTA HERRAMIENTA, LEA DETENIDAMENTE ESTE MANUAL PARA FAMILIARIZARSE CON LAS ADVERTENCIAS E INSTRUCCIONES DE SEGURIDAD. CONSERVE ESTAS INSTRUCCIONES JUNTO CON LA HERRAMIENTA PARA FUTURAS CONSULTAS.
ADVERTENCIA	

INDEX INHALTSVERZEICHNIS INDEX INDICE ÍNDICE

ENGLISH	Page	3	to	16
DEUTSCH	Page	17	to	30
FRANÇAIS	Page	31	to	44
ITALIANO	Page	45	to	58
ESPAÑOL	Page	59	to	72

www.max-europe.com

DEFINITIONS OF SIGNAL WORDS

- WARNING:** Indicates a hazardous situation which, if not avoided, could result in death or serious injury.
- CAUTION:** Indicates a hazardous situation which, if not avoided, could result in minor or moderate injury.
- NOTICE:** Indicates a property damage message.

DEFINITIONEN DER HINWEISBEZEICHNUNGEN

- WARNUNG:** Zeigt eine eventuell gefährliche Situation an, die den Tod oder schwere Verletzungen zur Folge haben könnte, wenn sie nicht vermieden wird.
- VORSICHT:** Zeigt eine eventuell gefährliche Situation an, die leichte oder mittelschwere Verletzungen zur Folge haben könnte, wenn sie nicht vermieden wird.
- HINWEIS:** Hebt wichtige Informationen hervor.

DÉFINITIONS DES DIFFÉRENTS DEGRÉS D' AVERTISSEMENTS

- AVERTISSEMENT:** Indique une situation éventuellement dangereuse qui, si elle n'est pas contournée, pourrait provoquer la mort ou des blessures sérieuses.
- ATTENTION:** Indique une situation éventuellement dangereuse qui, si elle n'est pas contournée, pourrait provoquer des blessures légères à moyennement sérieuses.
- REMARQUE:** Souligne des informations importantes.

DEFINIZIONE DELLE INDICAZIONI DI AVVERTIMENTO

- ATTENZIONE:** Indica l'eventualità che possa verificarsi una situazione pericolosa, la quale se non viene evitata, può risultare letale o provocare gravi lesioni.
- AVVERTENZA:** Indica l'eventualità che possa verificarsi una situazione pericolosa, la quale se non viene evitata, può provocare lesioni di lieve o media entità.
- NOTA:** Evidenzia informazioni importanti.

DEFINICIÓN DE LAS INDICACIONES DE ADVERTENCIA

- ADVERTENCIA:** Indica una situación potencialmente peligrosa que podría causar la muerte o graves lesiones si no se evita.
- PRECAUCIÓN:** Indica una situación potencialmente peligrosa que podría causar lesiones menos graves o leves si no se evita.
- NOTA:** Resalta informaciones importantes.

ENGLISH

OPERATING AND MAINTENANCE MANUAL

INDEX

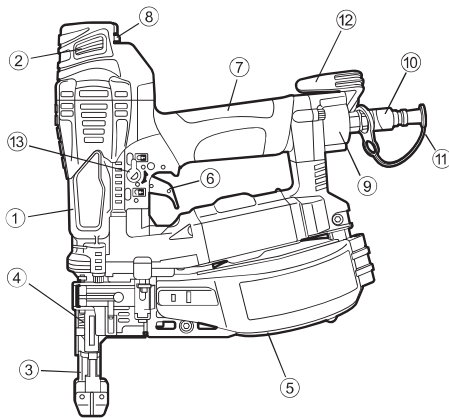
1. NAME OF PARTS	3
2. GENERAL SAFETY WARNINGS	4
3. SAFETY WARNING	4
4. SPECIFICATIONS AND TECHNICAL DATA	7
5. AIR SUPPLY AND CONNECTIONS	7
6. INSTRUCTIONS FOR OPERATION	8
7. HOW TO REPLACE THE BIT	14
8. MAINTAIN FOR PERFORMANCE	16
9. STORING	16
10. TROUBLE SHOOTING/REPAIRS	16



WARNING

BEFORE USING THIS TOOL, STUDY THIS MANUAL TO ENSURE SAFETY WARNING AND INSTRUCTIONS.
KEEP THESE INSTRUCTIONS WITH THE TOOL FOR FUTURE REFERENCE.

1. NAME OF PARTS



- ① Frame
- ② Cylinder Cap
- ③ Contact Arm
- ④ Door
- ⑤ Magazine
- ⑥ Trigger
- ⑦ Grip
- ⑧ Changeover lever
- ⑨ Regulator
- ⑩ Air Plug
- ⑪ End Plug Cap
- ⑫ Hook
- ⑬ Trigger Lock Dial

2. GENERAL SAFETY WARNINGS



WARNING

TO AVOID SEVERE PERSONAL INJURY OR PROPERTY DAMAGE BEFORE USING THE TOOL, READ CAREFULLY AND UNDERSTAND THE FOLLOWING "SAFETY INSTRUCTIONS". FAILURE TO FOLLOW WARNINGS COULD RESULT IN DEATH OR SERIOUS INJURY.



1. WEAR SAFETY GLASSES OR GOGGLES

Danger to the eyes always exists due to the possibility of dust being blown up by the exhausted air or of a fastener flying up due to the improper handling of the tool. For these reasons, safety glasses or goggles shall always be worn when operating the tool.

The employer and/or user must ensure that proper eye protection is worn. Eye protection equipment must conform to the requirements of the American National Standards Institute, ANSI Z87.1 (Council Directive 89/686/EEC of 21 DEC. 1989) and provide both frontal and side protection.

The employer is responsible to enforce the use of eye protection equipment by the tool operator and all other personnel in the work area.

NOTICE: Non-side shielded spectacles and face shields alone do not provide adequate protection.



2. EAR PROTECTION MAY BE REQUIRED IN SOME ENVIRONMENTS

As the working condition may include exposure to high noise levels which can lead to hearing damage, the employer and user should ensure that any necessary hearing protection is provided and used by the operator and others in the work area.



3. KEEP HANDS AND BODY AWAY FROM THE DISCHARGE OUTLET

When loading and using the tool, never place a hand or any part of body in fastener discharge area of the tool. It is very dangerous to hit the hands or body by mistake.



4. DO NOT USE ON SCAFFOLDINGS AND LADDERS

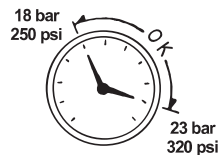
Do not use on scaffoldings and ladders with fastener driving tools equipped with contact actuation or continuous contact actuation.

3. SAFETY WARNING



1. WHEN USING THE TOOL, BE SURE TO USE A SPECIAL AIR COMPRESSOR AND AIR HOSE

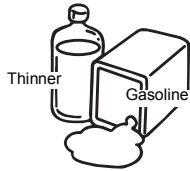
In order to improve its performance, it has set its working pressure higher than the conventional nailers. To use the tool, you always need the special air compressor and air hose. Use of combustible pressure gas (for example, oxygen, acetylene, etc.) causes abnormal combustion, possibly resulting in explosion. Use only the special air compressor and air hose.



2. OPERATE WITHIN THE PROPER AIR PRESSURE RANGE

The tool is designed to operate within an air pressure range of 18 to 23 bar (250 to 320 p.s.i.).

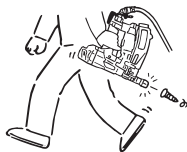
The pressure should be adjusted to the type of the work being fastened. The tool shall never be operated when the operating pressure exceeds 23 bar (320 p.s.i.).



3. DO NOT OPERATE THE TOOL NEAR A FLAMMABLE SUBSTANCE
 Never operate the tool near a flammable substance (e.g., thinner, gasoline, etc.). Volatile fumes from these substances could be drawn into the compressor and compressed together with the air and this could result in an explosion.

4. NEVER USE THE TOOL IN AN EXPLOSIVE ATMOSPHERE
 Sparks from the tool may ignite atmospheric gases, dust or other combustible materials.

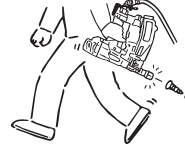
5. DO NOT USE A WRONG FITTINGS
 The connector on the tool must not hold pressure when air supply is disconnected. If a wrong fitting is used, the tool can remain charged with air after disconnecting and thus will be able to drive a fastener even after the air line is disconnected, possibly causing injury.



6. DISCONNECT THE AIR SUPPLY AND EMPTY THE MAGAZINE WHEN THE TOOL IS NOT IN USE
 Always disconnect the air supply from the tool and empty the magazine when operation has been completed or suspended, when unattended, moving to a different work area, adjusting, disassembling, or repairing the tool, and when clearing a jammed fastener.



7. INSPECT SCREW TIGHTNESS
 Loose or improperly installed screws or bolts cause accidents and tool damage when the tool is put into operation. Inspect to confirm that all screws and bolts are tight and properly installed prior to operating the tool.

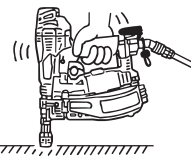


8. DO NOT TOUCH THE TRIGGER UNLESS YOU INTEND TO DRIVE A FASTENER
 Whenever the air supply is connected to the tool, never touch the trigger unless you intend to drive a fastener into the work. It is dangerous to walk around carrying the tool with the trigger pulled, and this and similar actions should be avoided.

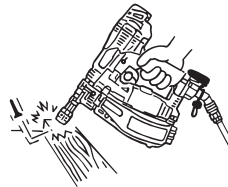


9. NEVER POINT THE DISCHARGE OUTLET TOWARD YOURSELF AND OTHER PERSONNEL
 If the discharge outlet is pointed toward people, serious accidents may be caused when misfiring. Be sure the discharge outlet is not pointed toward people when connecting and disconnecting the hose, loading and unloading the fasteners or similar operations.

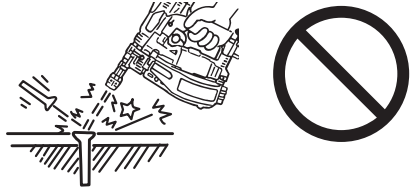
10. USE SPECIFIED FASTENERS (SEE PAGE 7)
 The use of fasteners other than specified fasteners will cause the tool malfunction. Be sure to use only specified fasteners when operating the tool.



11. PLACE THE DISCHARGE OUTLET ON THE WORK SURFACE PROPERLY
 Failure to place the discharge outlet of the nose in a proper manner can result in a fastener flying up and is extremely dangerous.



12. DO NOT DRIVE FASTENERS CLOSE TO THE EDGE AND CORNER OF THE WORK AND THIN MATERIAL
 The workpiece is likely to split and the fastener could fly free and hit someone.



13. DO NOT DRIVE FASTENERS ON TOP OF OTHER FASTENERS

Driving fasteners on the top of other fasteners may cause deflection fasteners which could cause injury.

14. REMOVING THE FASTENERS AFTER COMPLETING OPERATION

If fasteners are left in the magazine after the completion of operation, there is the danger of a serious accident occurring prior to the resumption of operation, should the tool be handled carelessly, or when connecting the air fitting. For this reason, always remove all fasteners remaining in the magazine after completion of the operation.

15. CHECK OPERATION OF THE CONTACT TRIP MECHANISM FREQUENTLY IN CASE OF USING A CONTACT TRIP TYPE TOOL

Do not use the tool if the trip is not working correctly as accidental driving of a fastener may result. Do not interfere with the proper operation of the contact trip mechanism.



16. WHEN USING THE TOOL OUTSIDE OR ELEVATED PLACE

When fastening roofs or similar slanted surface, start fastening at the lower part and gradually work your way up. Fastening backward is dangerous as you may lose your foot place.

Secure the hose at a point close to the area you are going to drive fasteners. Accidents may be caused due to the hose being pulled inadvertently or getting caught.

17. NEVER USE THE TOOL IF ANY PORTION OF THE TOOL CONTROLS (e.g., TRIGGER, CONTACT ARM) IS INOPERABLE, DISCONNECTED, ALTERED OR NOT WORKING PROPERLY

18. NEVER ACTUATE THE TOOL INTO FREE SPACE

This will avoid any hazard caused by free flying fasteners and excessive strain of the tool.

19. ALWAYS ASSUME THAT THE TOOL CONTAINS FASTENERS

20. RESPECT THE TOOL AS A WORKING IMPLEMENT

21. NO HORSEPLAY

22. NEVER LOAD THE TOOL WITH FASTENERS WHEN ANY ONE OF THE OPERATING CONTROLS (e.g., TRIGGER, CONTACT ARM) IS ACTIVATED

23. WHEN DISPOSING THE MACHINE OR ITS PARTS, FOLLOW THE RELEVANT NATIONAL RULES

OBSERVE THE FOLLOWING GENERAL CAUTION IN ADDITION TO THE OTHER WARNINGS CONTAINED IN THIS MANUAL

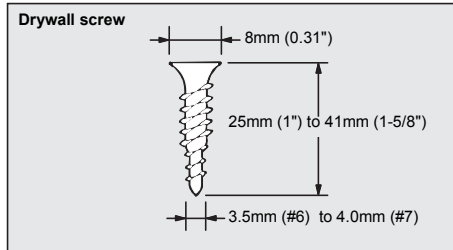
- Do not use the tool as a hammer.
- Always carry the tool by the handle, never carry the tool by the air hose.
- The tool must be used only for the purpose it was designed.
- Never remove, tamper with the operating controls (e.g., TRIGGER, CONTACT ARM)
- Keep the tool in a dry place out of reach of children when not in use.
- Do not use the tool without Safety Warning label.
- Do not modify the tool from original design or function without approval by MAX CO., LTD.

4. SPECIFICATIONS AND TECHNICAL DATA

1. TOOL SPECIFICATIONS

HEIGHT	312 mm (12-1/4")
WIDTH	116 mm (1-1/2")
LENGTH	300 mm (11-3/4")
WEIGHT	1.9 kg (4.2 lbs.)
RECOMMENDED OPERATING PRESSURE	18 to 23 bar (250 to 320 p.s.i.)
LOADING CAPACITY	100 Screws
AIR CONSUMPTION	1.9 l at 23.0 bar (334 p.s.i.) operating pressure
ACCESSORIES	Hex. bar wrench, Jet oiler, Safety Glasses, Contact Top L

2. FASTENER SPECIFICATIONS



RECOMMENDED OPERATING PRESSURE:

18 to 23 bar (250 to 320 p.s.i.). Select the operating air pressure within this range for best fastener performance.
DO NOT EXCEED 23 bar (320 p.s.i.).

3. TECHNICAL DATA

1. NOISE

A-weighted single-event sound power level
 ----- LWA, 1s, d 95.59 dB

A-weighted single-event emission sound pressure level at work station
 ----- LpA, 1s, d 93.92 dB

These values are determined and documented in accordance to EN12549 : 1999.

2. VIBRATION

Vibration characteristic value = 2.45 m/s²

These values are determined and documented in accordance to ISO 8662-11.

This value is a tool-related characteristic value and does not represent the influence to the hand-arm-system when using the tool. An influence to the hand-arm-system when using the tool will for example depend on the gripping force, the contact pressure force, the working direction, the adjustment of mains supply, the workpiece, the workpiece support.

4. APPLICATIONS

* Fastening gypsumboard, decorative board, and other interior boards.

5. AIR SUPPLY AND CONNECTIONS



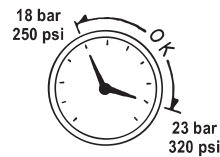
WARNING

Read section titled "SAFETY INSTRUCTIONS"



DO NOT USE ANY POWER SOURCE EXCEPT AN AIR COMPRESSOR

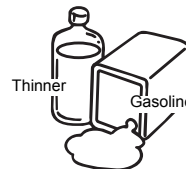
The tool is designed to operate on compressed air. Do not operate the tool on any other combustible gases (e.g., oxygen, acetylene, etc.) since there is the danger of an explosion. For this reason, absolutely do not use anything other than an air compressor to operate the tool.



OPERATE WITHIN THE PROPER AIR PRESSURE RANGE

The tool is designed to operate within an air pressure range of 18 to 23 bar (250 to 320 p.s.i.).

The pressure should be adjusted to the type of the work being fastened. The tool shall never be operated when the operating pressure exceeds 23 bar (320 p.s.i.).



DO NOT OPERATE THE TOOL NEAR A FLAMMABLE SUBSTANCE

Never operate the tool near a flammable substance (e.g., thinner, gasoline, etc.). Volatile fumes from these substances could be drawn into the compressor and compressed together with the air and this could result in an explosion.

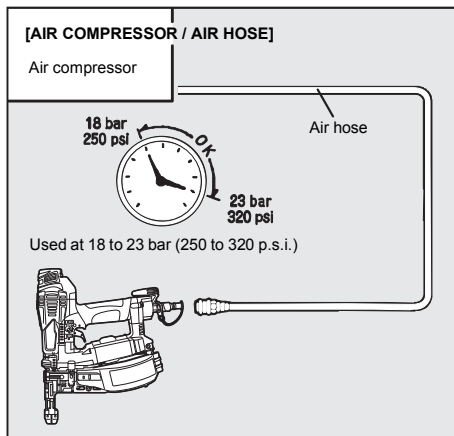
DO NOT USE A WRONG FITTINGS

The connector on the tool must not hold pressure when air supply is disconnected. If a wrong fitting is used, the tool can remain charged with air after disconnecting and thus will be able to drive a fastener even after the air line is disconnected, possibly causing injury.



DISCONNECT THE AIR SUPPLY AND EMPTY THE MAGAZINE WHEN THE TOOL IS NOT IN USE

Always disconnect the air supply from the tool and empty the magazine when operation has been completed or suspended, when unattended, moving to a different work area, adjusting, disassembling, or repairing the tool, and when clearing a jammed fastener.



WHEN USING THE TOOL, BE SURE TO USE A SPECIAL AIR COMPRESSOR AND AIR HOSE.

In order to improve its performance, it has set its working pressure higher than the conventional nailers. To use the tool, you always need the special air compressor and air hose (MAX PowerLite Compressor and MAX PowerLite Hose). Use of high-pressure gas (for example, oxygen, acetylene, etc.) causes abnormal combustion, possibly resulting in explosion. Use only the special air compressor and air hose.

NOTICE:

Frequent, but not excessive, lubrication is required for the best performance. Oil added thru the air line connection will lubricate the internal parts.

6. INSTRUCTIONS FOR OPERATION

Read section titled "SAFETY INSTRUCTIONS".

1. BEFORE OPERATION

- 1 Wear Safety Glasses or Goggles.
- 2 Do not connect the air supply.
- 3 Inspect screw tightness.
- 4 Check operation of the contact arm & trigger if moving smoothly.
- 5 Connect the air supply.
- 6 Check the air-leakage. (The Tool must not have the air-leakage.)
- 7 Hold the Tool with finger-off the trigger, then push the contact arm against the work-piece. (The tool must not operate.)
- 8 Hold the Tool with contact arm free from work-piece and pull the trigger. (The Tool must not operate.)
- 9 Disconnect the air supply.



WARNING



2. OPERATION

Wear safety glasses or goggles

Danger to the eyes always exists due to the possibility of dust being blown up by the exhausted air or of a fastener flying up due to the improper handling of the tool. For these reasons, safety glasses or goggles shall always be worn when operating the tool. The employer and/or user must ensure that proper eye protection is worn. Eye protection equipment must conform to the requirements of the American National Standards Institute, ANSI Z87.1 (Council Directive 89/686/EEC of 21 DEC. 1989) and provide both frontal and side protection.

The employer is responsible to enforce the use of eye protection equipment by the tool operator and all other personnel in the work area.

NOTICE:

Non-side shielded spectacles and face shields alone do not provide adequate protection.

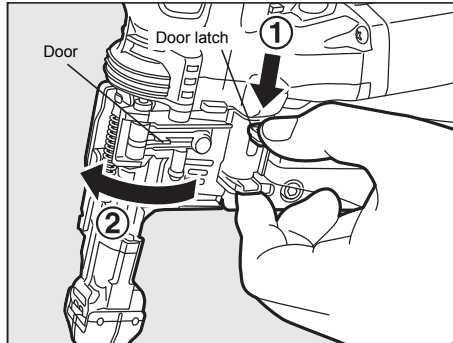


WARNING

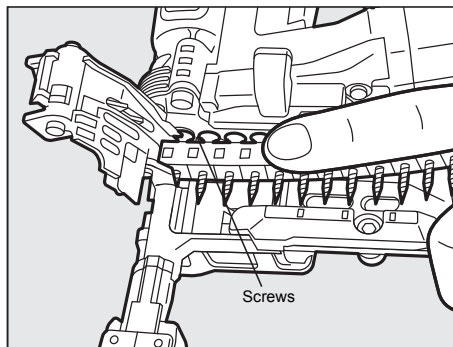


Keep hands and body away from the discharge outlet when driving the fasteners because of dangerous of hitting the hands or body by mistake.

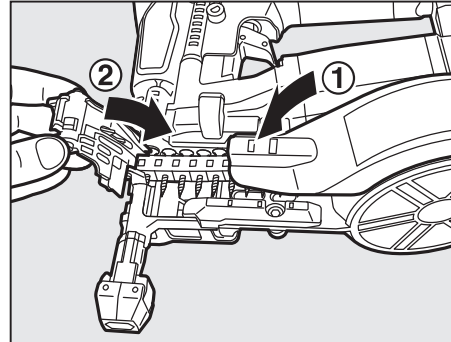
SCREW LOADING



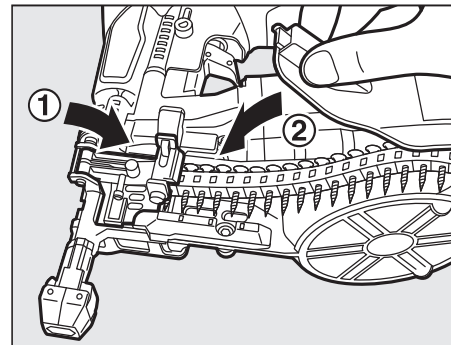
- ① Open the magazine. Pull down door latch and swing door open. Swing magazine cover open.



- ② Screw loading. Place a coil of screws in the magazine. Uncoil enough screws to reach the feed pawl, and place the second screw on the feed pawl. The screw heads fit in slot on the nose.



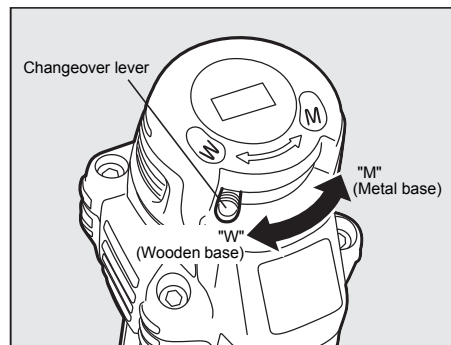
- ③ Swing magazine cover closed.
- ④ Close the door. Check that latch engages. (If it does not engage, check that the screw heads are in the slot on the nose.)



* It is also possible to close the door first, followed by the magazine cover.

TEST OPERATION

- ① Adjust the air pressure at 18 bar (250 p.s.i.) and connect the air supply.
- ② Without touching the trigger, depress the contact arm against the work-piece. Pull the trigger. (The tool must fire the fastener.)
- ③ Adjust the air pressure as much as the lowest possible according to the diameters and length of fastener and the hardness of work-piece.



CHANGEOVER LEVER

This tool has a changeover lever mechanism, which allows optimum (drivability, speed) screwing work depending on the condition of the driven-side base material.

NOTICE:

- It is recommended to set the changeover lever to an appropriate position suitable for the condition of the driven-side base material.

CHANGEOVER LEVER POSITION

Lever position	Driven base material condition	
	Base material	Top material
"W" (wooden base)	Wooden	Drywall board (9.5 to 15 mm thick), 1 or 2 pcs.
"M" (metal base)	Metal (under 0.8 mm thick)	Drywall board (9.5 to 15 mm thick), 1 or 2 pcs.

Base material	Number of boards	Lever position	
		"W"	"M"
Wooden	1 pc.	*1	*2
	2 pcs.	*1	*2
Metal	1 pc.	*2	*1
	2 pcs.	*3	*1

- *1 : ptimum
- *2 : rivable
- *3 : Cannot drive

NOTICE:

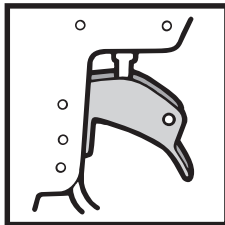
- For the condition of the metal base material and 2 pcs. of drywall boards, you cannot lever drive at the changeover lever position of "W".
- The changeover lever should be properly operated and set to the position of "W" or "M" until it clicks.

MODEL IDENTIFICATION

CONTACT TRIP

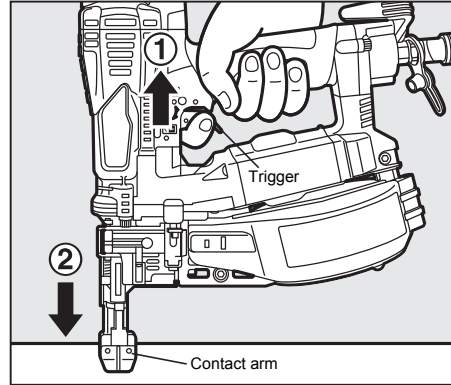
The common operating procedure on "Contact Trip" tools is for the operator to contact the work to actuate the trip mechanism while keeping the trigger pulled, thus driving a fastener each time the work is contacted. This will allow rapid fastener placement on many jobs, such as sheathing, decking and pallet assembly. All pneumatic tools are subject to recoil when driving fasteners. The tool may bounce, releasing the trip, and if unintentionally allowed to recontact the work surface with the trigger still actuated (finger still holding trigger pulled) an unwanted second fastener will be driven.

**CONTACT TRIP WITH ANTI-DOUBLE FIRE MECHANISM
(US patent 5597106, UK patent 2286790)
Identified by RED TRIGGER.**



CONTACT FIRE OPERATION (CONTACT TRIP)

For contact fire operation, hold the Trigger and depress the Contact Arm against the work surface.

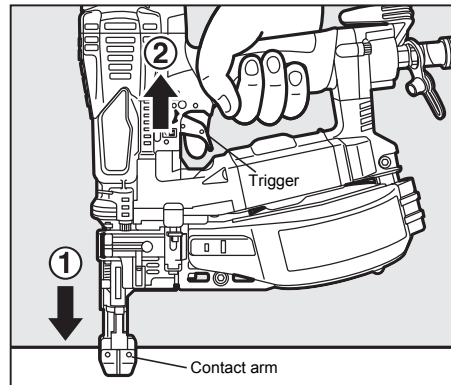


PROCEDURE

- ① Hold the Trigger.
- ② Depress the Contact Arm.

SINGLE FIRE OPERATION (ANTI-DOUBLE FIRE MECHANISM)

For single fire operation, depress the Contact Arm against the work surface and pull the Trigger. Tool cannot fire a second nail until the Trigger is released and tool can cycle.



PROCEDURE

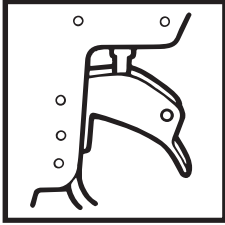
- ① Depress the Contact Arm.
- ② Pull the Trigger.

SEQUENTIAL TRIP (Optional kit)

The Sequential Trip requires the operator to hold the tool against the work before pulling the Trigger. This makes accurate fastener placement easier, for instance on framing, toe nailing and crating applications. The Sequential Trip allows exact fastener location without the possibility of driving a second fastener on recoil, as described under "Contact Trip".

The Sequential Trip Tool has a positive safety advantage because it will not accidentally drive a fastener if the tool is contacted against the work-or anything else-while the operator is holding the Trigger pulled.

SEQUENTIAL TRIP
Identified by **ORANGE TRIGGER**.



CONTACT TOP





WARNING

- When replacing the contact top, make sure to lock the trigger and remove the air hose.



CAUTION

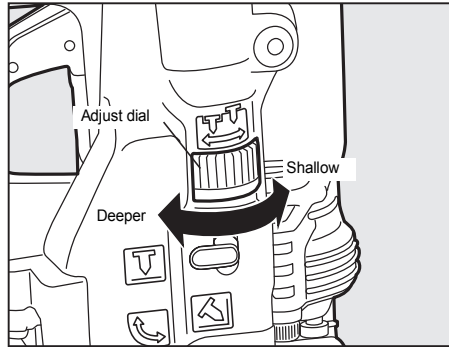
- Use contact top L if the screw does not tighten (such as when fastening drywall boards to thin steel or soft wooden base materials, etc.).
- * The contact top L reduces the driving quantity, makes the result more stable by reducing the effects on the base material, and reduces the occurrence of loose screws.

Contact top (orange) Standard contact top	Contact top L (transparent) Included contact top
	

The contact top L is 3 mm longer than the standard contact top, and reduces the driving quantity on base materials.

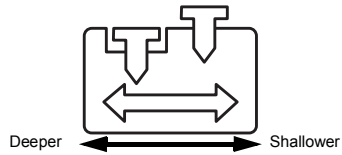
- If there is no improvement even when using the contact top L, set the **CHANGEOVER LEVER** to "W" (wooden base).

DRIVING DEPTH ADJUSTMENT DIAL



WARNING

- **ALWAYS disconnect air supply before Adjustment dial.**
- ① With air pressure set, drive nails into a representative material sample to determine if adjustment is necessary.
- ② If adjustment is required, disconnect air supply.
- ③ Refer to the mark on the Adjust Spacer for direction to turn the adjustment dial.
- ④ Reconnect air supply.



HOW TO USE SINGLE-TOUCH ADJUSTER

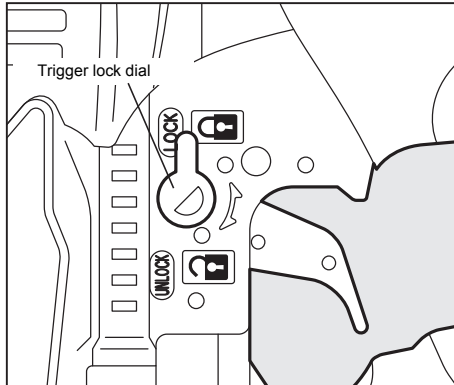


WARNING

- **ALWAYS disconnect air supply before using single-touch adjuster.**
- When it is inevitable to drive a screw slantly such as corner driving, this tool can sink under the board surface by single-touch operation.

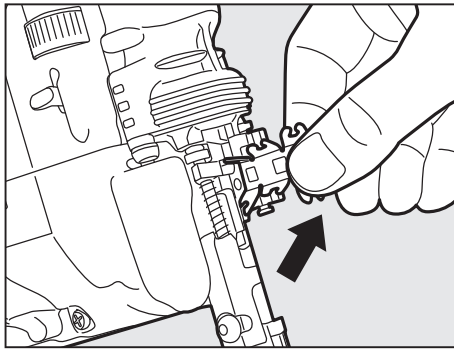
	Adjuster position	Screw	Application
Flat driving		<p>If the screw is driven slantly, its head sticks out of the board.</p>	<p>Use for flat driving</p>
Slant driving		<p>The screw head sinks under the board surface if it is driven slantly.</p>	<p>Use for slant driving</p>

TRIGGER LOCK MECHANISM



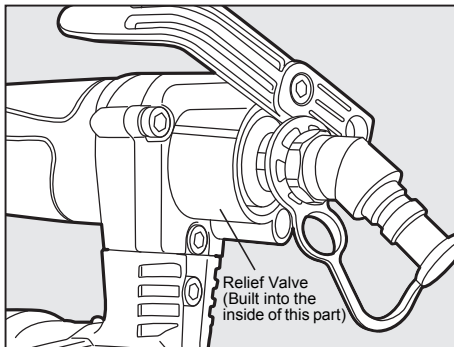
The tool is equipped with a trigger lock mechanism. Push and rotate the trigger LOCK to the trigger UNLOCK position before driving screws.

HOW TO REMOVE PLASTIC SHEET



As screws are driven the plastic sheet will feed out of the tool. When sufficient strip has been fed out it can be torn away by pulling against the tear edge in the nose.

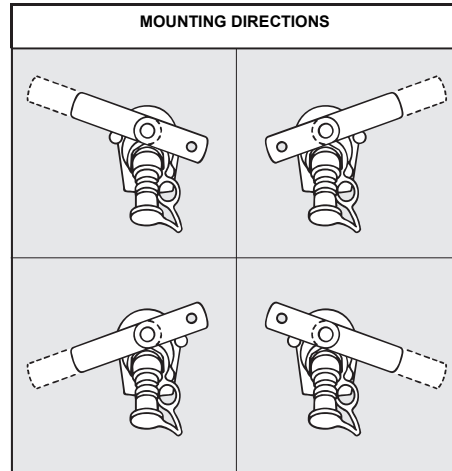
RELIEF VALVE



This tool incorporates a high pressure reduction valve for reducing the range of pressure used at the PowerLine Hose side (18 to 23 bar (250 to 320 p.s.i.)) to a pressure around 8 bar (120 p.s.i.). In a situation where the high pressure reduction valve fails and pressure builds inside the tool, a relief valve will operate to release the pressure while emitting a sound. Because this shows that the high pressure reduction valve has failed, immediately

discontinue use of the machine, disconnect the air supply, and send it to be repaired by a MAX Co., Ltd. authorized distributor or other specialist. Note that the relief valve is built in to the rear part of the machine body.

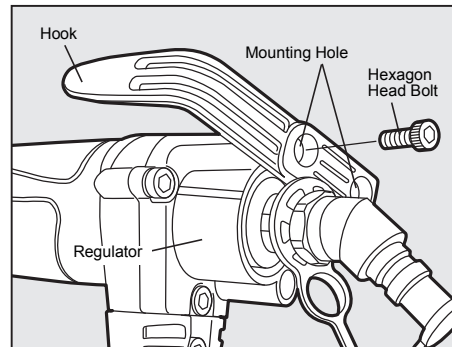
METHOD OF CHANGING THE HOOK DIRECTION



WARNING

- **ALWAYS disconnect the air supply before changing the direction of the hook.**

The direction of the hook can be changed in four different directions, and the hook width can also be adjusted in two stages for each direction. This allows adjustment in a total of eight patterns.



When changing the direction or width of the hook, use a hexagonal bar wrench 4 to loosen and remove the hexagon head bolt that fixes the hook. After adjusting the hook position, replace and tighten the hexagon head bolt.

7. HOW TO REPLACE THE BIT



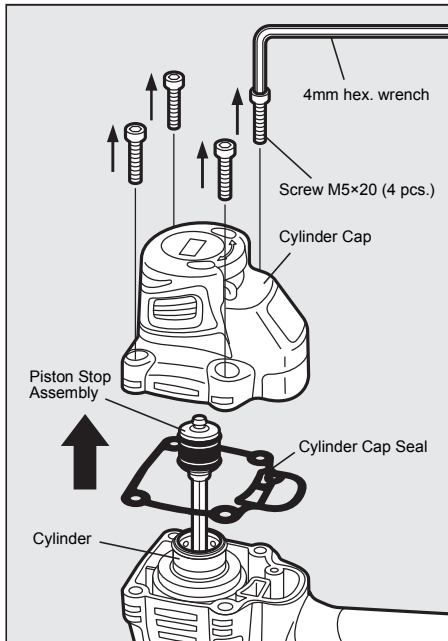
WARNING

- **ALWAYS disconnect air supply before changing a bit.**

NOTICE:

- 1 Pay attention on changing the bit so that sand, dust any foreign substance, etc. do not enter the tool. Inclusion of that can cause the tool failure.
- 2 A bit is a consumable part, use of a worn bit deteriorates work efficiency and causes defective screw fastening. Inspect the bit before starting work and change it if it is worn.
- 3 Use the "TURBO DRIVER BIT B41X2" which is optionally available at the MAX Co., Ltd. authorized distributors or by other specialists.

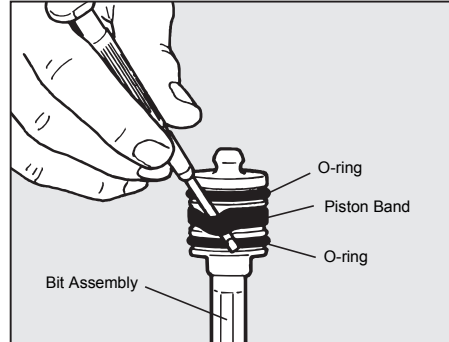
1. HOW TO REMOVE THE BIT



- 1 Remove the screws M5×20 (4 pcs.) by using the attached 4 mm hex. wrench.
- 2 Remove a Cylinder Cap. When this is done, a Bit Assembly and Cylinder Cap Seal will also come off together. Pull out the Bit Assembly attached to the Cylinder Cap.

NOTICE:

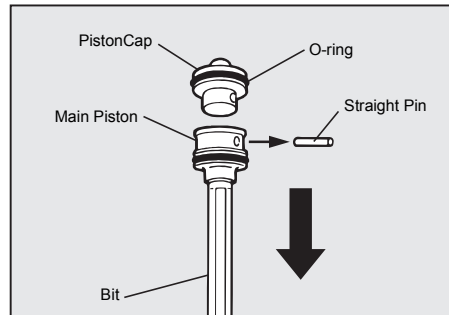
- If a Piston Stop Assembly is also detached when the Bit Assembly is pulled out from the Cylinder Cap, fit the Piston Stop Assembly back into the Cylinder Cap.
- If the Bit Assembly is remaining inside the Cylinder, turn the tool upside down to remove it.



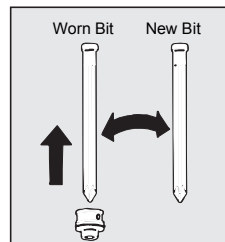
CAUTION

- Remove the Piston Band carefully not to cut or damage it by mistake.
- The O-ring (upper and lower) are important parts to seal the compressed air. Try not to touch them as much as possible.

- 3 Using a regular precision screwdriver or fine nail, remove a Piston Band from the Bit Assembly.



- 4 Remove a Straight Pin. A Main Piston and Bit come off from the Piston Cap.



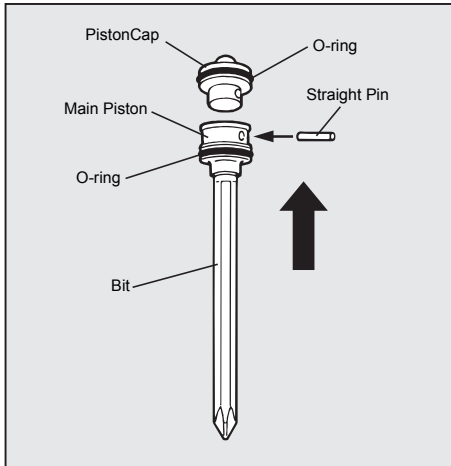
- 5 Remove the worn Bit from the Main Piston and replace with the new Bit.

2. HOW TO ASSEMBLE

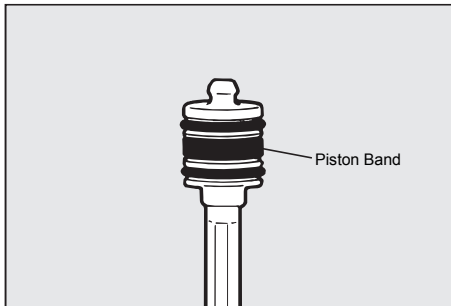


CAUTION

- When assembling, use only the specified oil and grease.

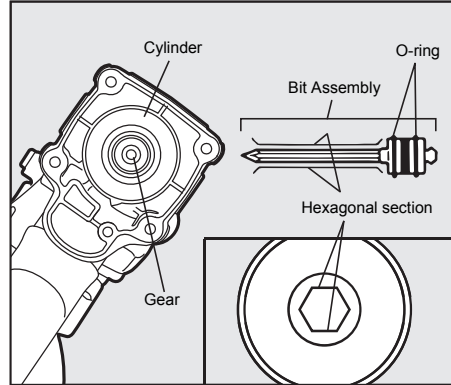


- ⑥ Using the Straight Pin, fix the new Bit, Main Piston, and Piston Cap assembled in Step ⑤ in the reverse order of Step ④.



CAUTION

- Make sure that the Straight Pin has been securely inserted.
- ⑦ Fit the Piston Band into the middle groove of the Bit Assembly.

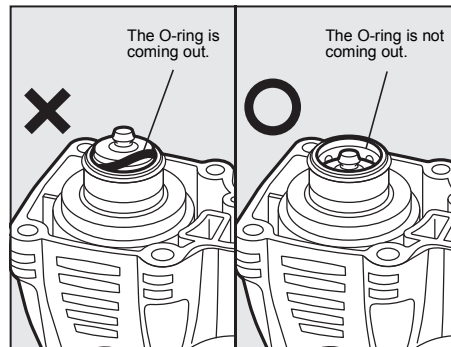


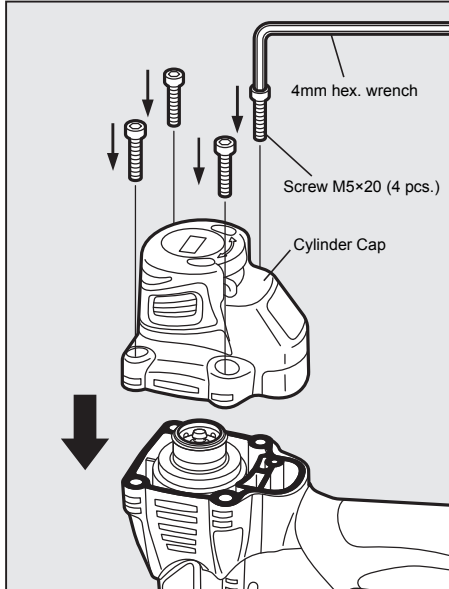
CAUTION

- Make sure that the O-ring is not coming out of the Bit Assembly.
- ⑧ Align the hexagonal section of the Bit with that of the Gear and put the Bit Assembly into the Cylinder.

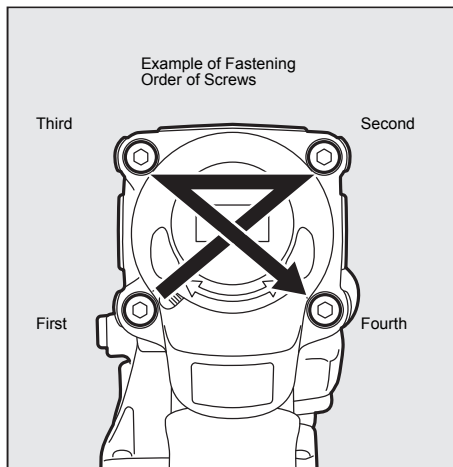
NOTICE:

- Then, be sure to apply 10 or more drips of oil into the Cylinder.





- ⑨ Fit a Cylinder Cap Seal onto the upper part of the body.
- ⑩ Place the Cylinder Cap onto the Cylinder Cap Seal.
- ⑪ Holding down the Cylinder Cap, tighten the four Screws (M5x20) with the 4 mm hex. wrench.



WARNING

- Make sure that the Cylinder Cap has been securely and uniformly clamped to the body with the four Screws (M5x20) at the specified tightening torque.

NOTICE:

- Tighten the Screws evenly in the diagonal lines. Specified tightening torque should be equal 100 to 120 kgf-cm (86.8 to 104.2 in lbs.).

8. MAINTAIN FOR PERFORMANCE

- ❶ DO NOT FIRE THE NAILER WHEN IT IS EMPTY
- ❷ USE RECOMMENDED OIL
The velocite or turbine oil should be used to lubricate the tool. Upon completion of operations, place 10 drops of oil into the air plug inlet with the jet oiler. (Recommended Oil : ISO VG32)
- ❸ INSPECT AND MAINTAIN DAILY OR BEFORE OPERATION



WARNING

Disconnect air supply and empty the magazine when inspecting or maintaining the tool.

- (1) Drain air compressor
- (2) Tighten all screws
- (3) Keep contact arm moving smoothly

9. STORING

- ❶ When not in use for an extended period, apply a thin coat of the lubricant to the steel parts to avoid rust.
- ❷ Do not store the tool in a cold weather environment. Keep the tool in a warm area.
- ❸ When not in use, the tool should be stored in a warm and dry place. Keep out of reach of children.
- ❹ All quality tools will eventually require servicing or replacement of parts because of wear from the normal

10. TROUBLE SHOOTING/REPAIRS

The troubleshooting and/or repairs shall be carried out only by the MAX CO., LTD. authorised distributors or by other specialists.



Supplement to the operating instruction

According to the European Norm EN 792-13 the regulation is valid from 01.01.2001 that all fastener driving tools with contact actuation must be marked with the symbol "Do not use on scaffoldings, ladders" and they shall not be used for specific application for example:

- * when changing one driving location to another involves the use of scaffoldings, stairs, ladders or ladder alike constructions e.g. roof laths,
- * closing boxes or crates,
- * fitting transportation safety systems e.g. on vehicles and wagons.

DEUTSCH

BETRIEBSANLEITUNG

INHALTSVERZEICHNIS

1. BEZEICHNUNG DER TEILE.....	17
2. ALLGEMEINE SICHERHEITSHINWEISE	18
3. SICHERHEITSHINWEIS	18
4. TECHNISCHE DATEN UND ZUBEHÖR	21
5. LUFTDRUCKKOMPRESSOR UND ANSCHLÜSSE	21
6. BETRIEBSVORSCHRIFTEN	22
7. ERSETZEN DES BITS	28
8. WARTUNG FÜR OPTIMALE LEISTUNG	30
9. AUFBEWAHRUNG	30
10. STÖRUNGSBESEITIGUNG.....	30

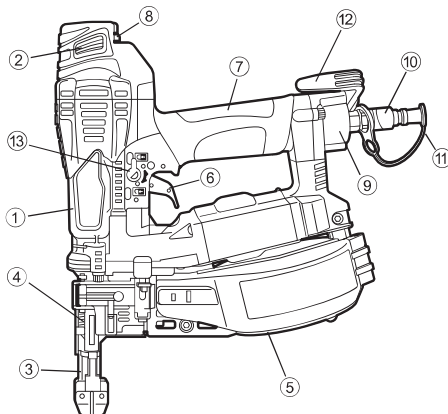


WARNUNG

LESEN SIE VOR INBETRIEBNAHME DES GERÄTES DIE GEBRAUCHS- UND SICHERHEITSHINWEISE.

BITTE BEWAHREN SIE DIE GEBRAUCHS- UND SICHERHEITSHINWEISE AUF, DAMIT SIE AUCH SPÄTER EINGESEHEN WERDEN KÖNNEN.

1. BEZEICHNUNG DER TEILE



- ① Gehäuse
- ② Zylinderdeckel
- ③ Kontaktarm
- ④ Tür
- ⑤ Magazin
- ⑥ Betätigungshebel
- ⑦ Griff
- ⑧ Umschalthebel
- ⑨ Regler
- ⑩ Luftanschluss
- ⑪ Endstößelsiegel
- ⑫ Haken
- ⑬ Betätigungssperrenknopf

2. ALLGEMEINE SICHERHEITSHINWEISE



WARNUNG

ZUR VERMEIDUNG SCHWERER PERSONEN- ODER SACHSCHÄDEN LESEN UND VERSTEHEN SIE FOLGENDE "SICHERHEITSHINWEISE" VOR GEBRAUCH DES GERÄTES SORGFÄLTIG. MISSACHTEN DER FOLGENDEN WARNHINWEISE KANN ZU TOD ODER SCHWEREN VERLETZUNGEN FÜHREN.



- SCHUTZ- ODER ARBEITSBRILLEN TRAGEN.**
Eine Gefahr für die Augen könnte bestehen durch wegblasenden Staub, durch die herausströmende Luft oder durch wegfliegende Nägel aufgrund von nicht fachgerechter Handhabung. Deshalb müssen Sicherheitsgläser oder Schutzbrillen bei jedem Gebrauch getragen werden.
Der Arbeitgeber und/oder Anwender muss sicherstellen, dass richtiger Augenschutz getragen wird. Die Augenschutzrüstung muss den Anforderungen des American National Standards Institute, ANSI Z87.1 (Ratsrichtlinie 89/686/EWG vom 21. Dez. 1989) sowohl für vorderen als auch seitlichen Schutz entsprechen. Der Arbeitgeber ist dafür verantwortlich, dass die Vorschriften zum Augenschutz von allen Benutzern des Werkzeugs sowie allen im Arbeitsbereich befindlichen Personen befolgt werden.
HINWEIS: Brillen und Gesichtsschirme ohne Seitenschutz alleine bieten keinen ausreichenden Schutz.



- GEHÖRSCHUTZ KANN IN MANCHEN FÄLLEN ERFORDERLICH SEIN.**
Bei manchen Arbeiten kann der Geräuschpegel so hoch sein, dass es zu Hörverletzungen kommen kann, daher sollten der Benutzer und anwesende Personen einen Gehörschutz tragen.



- HALTEN SIE DIE HÄNDE UND DEN KÖRPER IMMER VON DER AUSTRITTSÖFFNUNG ENTFERNT.**
Beim Nachladen und Gebrauch des Gerätes halten Sie stets Hände und Körper aus dem Bereich der Austrittsöffnung entfernt. Bei falschem Gebrauch besteht die Gefahr Hände oder Körper zu verletzen.

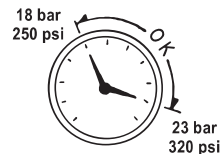


- NICHT AUF GERÜSTEN ODER LEITERN VERWENDEN**
Nicht mit Eintreibgeräten mit Kontaktauslösung oder kontinuierlicher Kontaktauslösung auf Gerüsten oder Leitern verwenden.

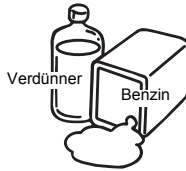
3. SICHERHEITSHINWEIS



- ACHTEN SIE BEI VERWENDUNG DES GERÄTES DARAUFG, EINEN SPEZIELLEN LUFTDRUCKKOMPRESSOR UND LUFTSCHLAUCH ZU VERWENDEN.**
Zur Verbesserung der Leistung wurde der Arbeitsdruck höher als bei herkömmlichen Naglern eingestellt. Zur Verwendung des Gerätes müssen Sie immer einen speziellen Luftdruckkompressor und Luftschauch verwenden. Verwendung von Treibgasen (zum Beispiel Sauerstoff, Acetylen usw.) verursacht fehlerhafte Verbrennung, möglicherweise Explosionen. Verwenden Sie ausschließlich den speziellen Luftdruckkompressor und Luftschauch.



- ARBEITEN SIE NUR MIT DEM RICHTIGEN LUFTDRUCK.**
Das Gerät arbeitet mit einem Luftdruck von 18 bis 23 bar (250 bis 320 p.s.i.). Der Druck sollte den verschiedenen Arbeiten angepasst werden. Das Gerät sollte nie bei einem Druck von mehr als 23 bar (320 p.s.i.) verwendet werden.



3. VERWENDEN SIE DAS GERÄT NICHT NEBEN LEICHT ENTLAMMBAREN SUBSTANZEN.

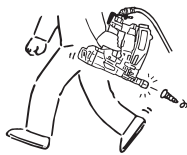
Arbeiten Sie nie neben leicht entflammaren Substanzen (Lösungsmittel, Treibstoffe etc.). Ausströmende Gase von diesen Flüssigkeiten können in den Kompressor gelangen und zusammen mit der komprimierten Luft kann es zu einer Explosion kommen.

4. DAS WERKZEUG NIE IN EINER EXPLOSIVEN ATMOSPHERE BENUTZEN.

Die Funken vom Werkzeug können die atmosphärischen Gase, Staub oder andere brennbare Materialien anzünden.

5. VERWENDEN SIE NUR RICHTIGE ANSCHLÜSSE.

Die Druckluftanschlüsse (Kupplungen) müssen so montiert werden, dass bei der Abnahme des Druckluftschlauches vom Gerät sämtliche Luft aus dem Gerät entweichen kann. Bei falsch montierten Anschlüssen ist eine Restenergie für einen Eintreibvorgang im Gerät vorhanden.



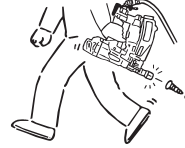
6. WENN DAS WERKZEUG NICHT IN BETRIEB IST, DIE DRUCKLUFTZUFUHR ABSCHALTEN UND DAS MAGAZIN LEEREN.

In den folgenden Fällen muss unbedingt die Druckluftversorgung zum Werkzeug getrennt und das Magazin entleert werden: wenn die Arbeit unterbrochen wird oder beendet ist, wenn das Werkzeug unbeaufsichtigt gelassen wird, wenn die Arbeit in einem anderen Arbeitsbereich fortgesetzt werden soll, oder wenn das Werkzeug einjustiert, zerlegt, repariert oder ein festgeklemmtes Befestigungselement gelöst wird.



7. ÜBERPRÜFEN SIE DIE FESTIGKEIT DER SCHRAUBEN.

Lockere oder schlecht eingefügte Schrauben oder Bolzen können einen Unfall und einen Schaden am Gerät verursachen, wenn das Gerät in Betrieb genommen wird. Überprüfen Sie die Festigkeit und Richtigkeit der zu verwendenden Schrauben und Bolzen vor Gebrauch.



8. BETÄTIGEN SIE DEN AUSLÖSER NUR BEI GEBRAUCH DES GERÄTES.

Betätigen Sie nie den Auslöser, außer Sie befestigen oder verbinden Material miteinander. Durch Unachtsamkeit und Betätigen des Auslösers ohne Material zu befestigen kann ein unkontrollierter Eintreibvorgang erfolgen.

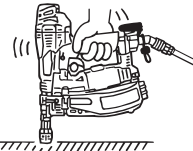


9. DIE ENTLADEÖFFNUNG NIEMALS AUF EIN KÖRPERTEIL ODER EINE ANDERE PERSON RICHTEN.

Wenn die Entladeöffnung auf eine andere Person gerichtet wird, kann durch eine unbeabsichtigte Aktivierung des Auslösers ein schwerer Unfall verursacht werden. Beim Anschließen und Abnehmen des Druckluftschlauches, beim Laden und Entladen der Befestigungsteile und bei ähnlichen Arbeitsgängen unbedingt darauf achten, dass die Entladeöffnung nicht auf eine andere Person gerichtet ist.

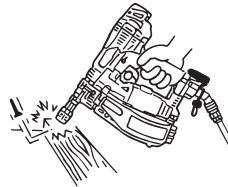
10. VERWENDEN SIE NUR NÄGEL (SIEHE SEITE 21), DIE VOM HERSTELLER ZUGELASSEN SIND.

Bei anderen Nägeln besteht die Gefahr einer Zerstörung des Gerätes. Verwenden Sie mit diesem Gerät nur vom Hersteller zugelassene Befestigungsteile.



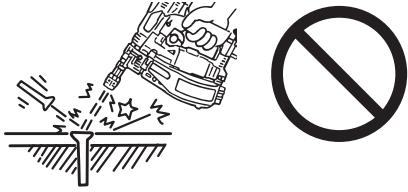
11. DEN ENTLADUNGSANSCHLUSS AUF DIE ARBEITSOBERFLÄCHE SETZEN.

Wenn Sie den Entladungsanschluss der Nase nicht in eine korrekte Weise legen, kann ein Befestiger oben fliegen und dies ist sehr gefährlich.



12. VERWENDEN SIE DAS GERÄT NICHT ZU NAHE AM RAND UND BEI ZU DÜNNEN MATERIALIEN.

Bei Verwendung des Gerätes zu nahe am Rand, kann der Nagel das Material spalten und dadurch Personen verletzen.



13. SCHLAGEN SIE KEINE NÄGEL AUF BEREITS EINGETRIEBENE NÄGEL.

In so einem Fall kann es durch den wegspringenden Nagel zu Verletzungen kommen.

14. NACH GEBRAUCH DES GERÄTES ENTFERNEN SIE ALLE NÄGEL.

Falls Nägel im Magazin zurückbleiben, kann es bei unvorsichtigem Transport oder Anschließen des Luftkompressors zu Verletzungen kommen. Aus diesem Grund entfernen Sie immer alle Nägel (Klammern) aus dem Gerät (Magazin).

15. ÜBERPRÜFEN SIE DEN KONTAKTAUSLÖSER STETS AUF SEINE WIRKSAMKEIT.

Bei nicht funktionstüchtigem Kontaktauslöser auf Grund der zu großen Verletzungsgefahr. Manipulieren Sie nicht am Kontaktauslöser.



16. VERWENDUNG DES GERÄTES IM FREIEN ODER AUF ERHÖHUNGEN.

Bei der Befestigung von Dächern oder anderen schrägen Flächen beginnen Sie im unteren Bereich und arbeiten sich dann schrittweise nach oben. Die Befestigung von oben nach unten ist gefährlich, da Sie den Halt verlieren können. Befestigen Sie den Schlauch an einem Punkt in der Nähe des Bereichs, in dem Sie die Befestigungselemente anbringen. Durch unbeabsichtigtes Ziehen oder Verheddern des Schlauches können Unfälle verursacht werden.

17. DAS WERKZEUG NIE BENUTZEN WENN IRGEND EIN TEIL DER WERKZEUGKONTROLLEN (z.B., TRIGGER, KONTAKTARM) FUNKTIONSunFÄHIG, GETRENNT, GEÄNDERT WIRD ODER NICHT RICHTIG FUNKTIONIERT.

18. NIEMALS IN DIE LUFT NAGELN.

Es besteht sonst Gefahr durch umherfliegende Nägel, außerdem wird das Werkzeug übermäßig stark beansprucht.

19. NEHMEN SIE STETS AN, DASS SICH BEFESTIGUNGSTEILE IM WERKZEUG BEFINDEN.

20. DAS WERKZEUG IST STETS ALS ARBEITSGERÄT ZU BETRACHTEN.

21. NIEMALS DAS WERKZEUG ALS SPIELZEUG BENUTZEN.

22. NIEMALS DAS WERKZEUG MIT BEFESTIGUNGSTEILEN LADEN, WENN EINES DER BETRIEBSELEMENTE AKTIVIERT IST (z.B. AUSLÖSER, KONTAKTHEBEL).

23. WENN SIE DIE MASCHINE ODER SEINE TEILE BEISEITE LEGEN, BITTE BEOBACHTEN SIE DIE RELEVANTEN NATIONALEN REGULIERUNGEN.

LESEN SIE DIE FOLGENDEN WARNHINWEISE UND ALLE ANDEREN ANLEITUNGEN IN DIESEM HANDBUCH

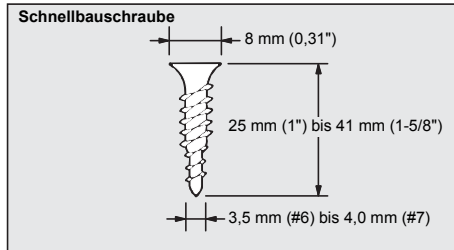
- Verwenden Sie das Gerät nicht als Hammer.
- Das Werkzeug immer am Griff und niemals am Luftschauch tragen.
- Verwenden Sie das Gerät nur für solche Arbeiten, für die es entworfen wurde.
- Niemals die Bedienungselemente ausbauen oder modifizieren (z.B. AUSLÖSER, KONTAKTHEBEL).
- Bewahren Sie das Gerät in trockenen Räumen und an für Kinder nicht zugänglichen Stellen auf.
- Verwenden Sie das Gerät nicht ohne Sicherheitsaufkleber.
- Manipulieren Sie das Gerät nicht ohne ausdrückliche Genehmigung von MAX Co.,Ltd.

4. TECHNISCHE DATEN UND ZUBEHÖR

1. TECHNISCHE DATEN DES WERKZEUGS

HÖHE	312 mm (12-1/4")
BREITE	116 mm (1-1/2")
LÄNGE	300 mm (11-3/4")
GEWICHT	1,9 kg (4,2 lbs.)
EMPFOHLENER BETRIEBSDRUCK	18 bis 23 bar (250 bis 320 p.s.i.)
LADEKAPAZITÄT	100 Schrauben
DRUCKLUFTVERBRAUCH	1,9 l bei 23,0 bar (334 p.s.i.) Betriebsdruck
ZUBEHÖR	Innensechskantschlüssel, Ölspritze, Schutzbrille, Kontaktoberteil L

2. TECHNISCHE DATEN DES HEFTMATERIALS



EMPFOHLENER BETRIEBSDRUCK:

18 bis 23 bar (250 bis 320 p.s.i.) Zur Gewährleistung einer optimalen Klammergeräteleistung ist der Luftdruck innerhalb dieses Bereiches einzustellen.

DER BETRIEBSDRUCK DARF NICHT MEHR ALS 23 BAR (320 p.s.i.) BETRAGEN.

3. TECHNISCHE DATEN

GERÄUSCHPEGEL

A-Impulsschalleistungspegel ----- LWA, 1s, d 95,59 dB

A-Impulsschalldruckpegel ----- LpA, 1s, d 93,92 dB
Diese Werte werden entsprechend EN12549 (1999) festgestellt und dokumentiert.

SCHWINGUNGEN

Schwingungskennwert = 2,45 m/s²
Diese Werte werden entsprechend ISO 8662-11 festgestellt und dokumentiert.

Dieser Wert hängt mit Eigenschaftswert des Werkzeugs zusammen und bedeutet nicht den Einfluss zum Hand/Arm-System, wenn Sie das Werkzeug verwenden. Ein Einfluss auf das Hand/Arm-System, wenn Sie das Werkzeug verwenden, wird zum Beispiel von der Greifkraft, der Kontaktandruckkraft, der Arbeitsrichtung, der Einstellung der Hauptluftzufuhr, vom Werkstück und vom Werkstückträger abhängen.

EINSATZGEBIETE

* Befestigung von Gipskartonplatten, Dekorplatten und anderen Innenaubauplatten.

5. LUFTDRUCKKOMPRESSOR UND ANSCHLÜSSE



WARNUNG

Lesen Sie den Abschnitt mit der Überschrift "SICHERHEITSHINWEISE".



VERWENDEN SIE KEINE ANDEREN ENERGIEQUELLEN ALS DEN LUFTDRUCKKOMPRESSOR.

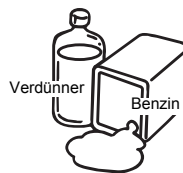
Das Gerät ist nur mit einem Luftdruckkompressor zu verwenden. Verwenden Sie das Gerät nicht mit Treibgas (z.B. Sauerstoff, Azetylen) aufgrund der Explosionsgefahr. Verwenden Sie aus diesem Grund unter keinen Umständen ein anderes Gerät als einen Luftdruckkompressor, um das Werkzeug zu bedienen.



ARBEITEN SIE NUR MIT DEM RICHTIGEN LUFTDRUCK.

Das Gerät arbeitet mit einem Luftdruck von 18 bis 23 bar (250 bis 320 p.s.i.).

Der Druck sollte den verschiedenen Arbeiten angepasst werden. Das Gerät sollte nie bei einem Druck von mehr als 23 bar (320 p.s.i.) verwendet werden.

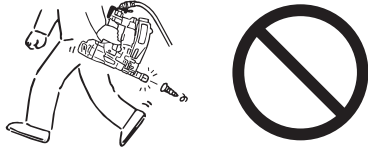


VERWENDEN SIE DAS GERÄT NICHT NEBEN LEICHT ENTFLAMMBAREN SUBSTANZEN.

Arbeiten Sie nie neben leicht entflammaren Substanzen (Lösungsmittel, Treibstoffe etc.). Ausströmende Gase von diesen Flüssigkeiten können in den Kompressor gelangen und zusammen mit der komprimierten Luft kann es zu einer Explosion kommen.

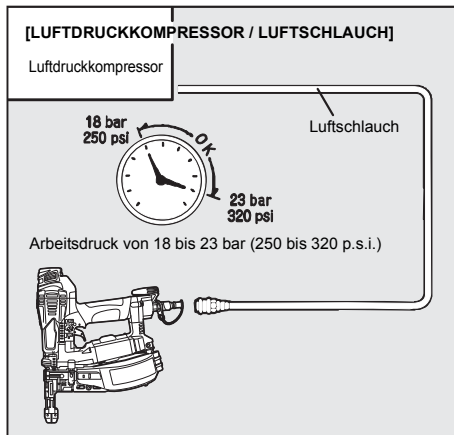
VERWENDEN SIE NUR RICHTIGE ANSCHLÜSSE.

Die Druckluftanschlüsse (Kupplungen) müssen so montiert werden, dass bei der Abnahme des Druckluftschlauches vom Gerät sämtliche Luft aus dem Gerät entweichen kann. Bei falsch montierten Anschlüssen ist eine Restenergie für einen Eintreibvorgang im Gerät vorhanden.



WENN DAS WERKZEUG NICHT IN BETRIEB IST, DIE DRUCKLUFTZUFUHR ABSCHALTEN UND DAS MAGAZIN LEEREN.

In den folgenden Fällen muss unbedingt die Druckluftversorgung zum Werkzeug getrennt und das Magazin entleert werden: wenn die Arbeit unterbrochen wird oder beendet ist, wenn das Werkzeug unbeaufsichtigt gelassen wird, wenn die Arbeit in einem anderen Arbeitsbereich fortgesetzt werden soll, oder wenn das Werkzeug einjustiert, zerlegt, repariert oder ein festgeklebtes Befestigungselement gelöst wird.



ACHTEN SIE BEI VERWENDUNG DES GERÄTES DARAUF, EINEN SPEZIELLEN LUFTDRUCKKOMPRESSOR UND LUFTSCHLAUCH ZU VERWENDEN.

Zur Verbesserung der Leistung wurde der Arbeitsdruck höher als bei herkömmlichen Naglern eingestellt. Zur Verwendung des Gerätes müssen Sie immer einen speziellen Luftdruckkompressor und Luftschlauch (MAX PowerLite Kompressor und MAX PowerLite Schlauch) verwenden. Verwendung von Hochdruckgasen (zum Beispiel Sauerstoff, Azetylen usw.) verursacht fehlerhafte Verbrennung, möglicherweise Explosionen. Verwenden Sie ausschließlich den speziellen Luftdruckkompressor und Luftschlauch.

HINWEIS:

Staub und Wasser würden sonst große Abnutzungserscheinungen am Gerät auftreten lassen. Das Gerät sollte oft geschmiert werden, um eine hohe Lebensdauer zu erreichen. Das Öl schmirt das Innere des Gerätes.

6. BETRIEBSVORSCHRIFTEN

Den Abschnitt mit der Überschrift "SICHERHEITSHINWEISE" lesen.

1. VOR DER INBETRIEBSETZUNG

- 1 Schutzbrille aufsetzen.
- 2 Druckluftzufuhr noch nicht einschalten.
- 3 Schrauben auf festen Sitz prüfen.
- 4 Funktion des Kontaktarms prüfen und Betätigungshebel auf Leichtgängigkeit prüfen.
- 5 Druckluftzufuhr einschalten.
- 6 Das Werkzeug auf Luftverlust prüfen. (Es darf kein Luftverlust an dem Werkzeug auftreten.)
- 7 Das Werkzeug festhalten (Es darf kein Finger am Betätigungshebel liegen) und dann den Kontaktarm gegen das Werkstück drücken. (Das Werkzeug darf nicht laufen.)
- 8 Das Werkzeug so halten, dass der Kontaktarm nicht am Werkstück anliegt, und den Betätigungshebel drücken. (Das Werkzeug darf nicht laufen.)
- 9 Die Druckluftversorgung trennen.



WARNUNG



2. INBETRIEBSETZUNG

Schutzbrille aufsetzen

Eine Gefahr für die Augen könnte bestehen durch wegblasenden Staub, durch die herausströmende Luft oder durch wegfliegende Nägel aufgrund von nicht fachgerechter Handhabung. Deshalb müssen Sicherheitsgläser oder Schutzbrillen bei jedem Gebrauch getragen werden.

Der Arbeitgeber und/oder Anwender muss sicherstellen, dass richtiger Augenschutz getragen wird. Die Augenschutzrüstung muss den Anforderungen des American National Standards Institute, ANSI Z87.1 (Ratsrichtlinie 89/686/EWG vom 21. Dez. 1989) sowohl für vorderen als auch seitlichen Schutz entsprechen.

Der Arbeitgeber ist dafür verantwortlich, dass die Vorschriften zum Augenschutz von allen Benutzern des Werkzeugs sowie allen im Arbeitsbereich befindlichen Personen befolgt werden.

HINWEIS:

Brillen und Gesichtsschirme ohne Seitenschutz alleine bieten keinen ausreichenden Schutz.

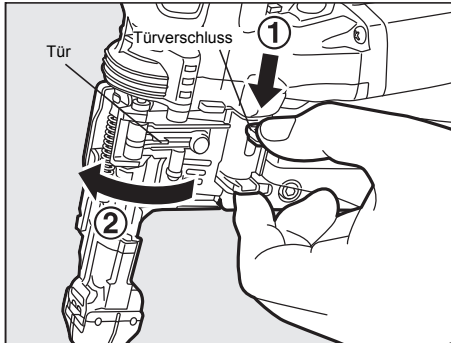


WARNUNG

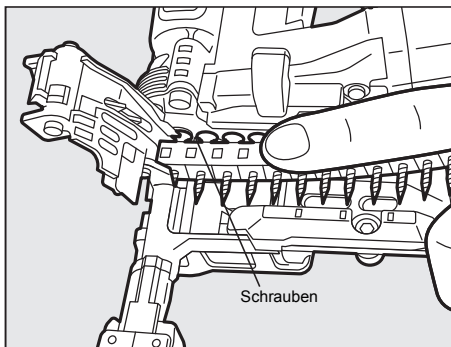


Während des Heftens/Nagelns sind die Hände und der Körper von der Austrittsöffnung fernzuhalten, da die Gefahr besteht, dabei versehentlich die Hände oder den Körper zu treffen.

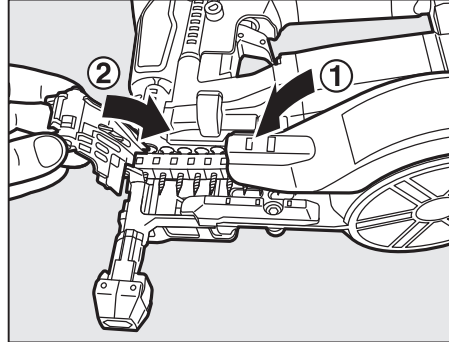
LADEN VON SCHRAUBEN



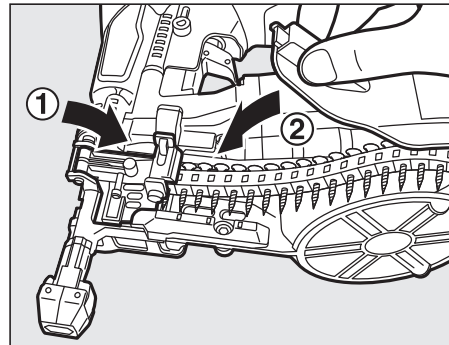
- ① Öffnen Sie das Magazin. Ziehen Sie den Türverschluss nach unten und öffnen Sie die Tür. Öffnen Sie die Magazinabdeckung.



- ② Schrauben laden. Legen Sie eine Schraubenspule in das Magazin. Wickeln Sie genug Schrauben von der Spule, um die Vorschubklinke zu erreichen. Legen Sie die zweite Schraube auf die Vorschubklinke. Die Schraubenköpfe passen in den Schlitz auf der Kontaktnase.



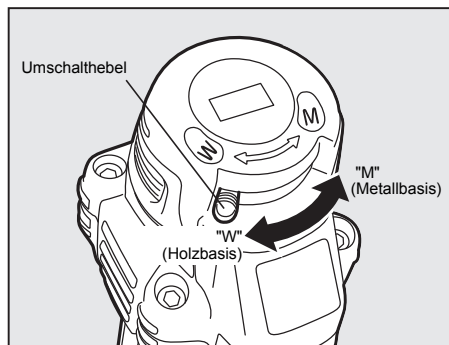
- ③ Schließen Sie die Magazinabdeckung.
④ Schließen Sie die Tür. Stellen Sie sicher, dass die Türverschluss greift. (Ist dies nicht der Fall, prüfen Sie, ob die Schraubenköpfe sich im Schlitz in der Kontaktnase befinden.)



* Sie können auch zuerst die Tür schließen und anschließend die Magazinabdeckung.

TESTBETRIEB

- ① Den Luftdruck auf 18 bar (250 p.s.i.) einstellen und die Druckluftzufuhr einschalten.
② Ohne den Betätigungshebel zu berühren, den Kontaktarm gegen das Werkstück drücken. Betätigen Sie den Betätigungsschalter. (Das Werkzeug muss den Nagel schießen.)
③ Den Luftdruck auf ein möglichst niedriges Niveau entsprechend Durchmesser und Länge der Befestigung sowie der Härte des Arbeitsstückes einstellen.



UMSCHALTHEBEL

Dieses Gerät verfügt über einen Umschalthebel, mit dem je nach Trägermaterial, in das eingetrieben wird, die optimale Schraubarbeit (Eintreibkraft, Geschwindigkeit) ausgewählt wird.

HINWEIS:

- Es wird empfohlen, den Umschalthebel auf die entsprechende Position zu stellen, die geeignet ist für das Trägermaterial, in das eingetrieben wird.

POSITION DES UMSCHALTHEBELS

Hebelposition	Trägermaterial, in das eingetrieben wird	
	Trägermaterial	Obermaterial
"W" (Holzbasis)	Holz	Trockenbauplatte (9,5 bis 15 mm dick), 1 oder 2 St.
"M" (Metallbasis)	Metall (unter 0,8 mm dick)	Trockenbauplatte (9,5 bis 15 mm dick), 1 oder 2 St.

Trägermaterial	Anzahl von Platten	Hebelposition	
		"W"	"M"
Holz	1 St.	*1	*2
	2 St.	*1	*2
Metall	1 St.	*2	*1
	2 St.	*3	*1

*1 : Optimum

*2 : Eintreibbar

*3 : Eintreiben nicht möglich

HINWEIS:

- Bei Metallträgermaterial und 2 St. Trockenbauplatten können Sie bei einer Umschalthebelposition von "W" nicht eintreiben.
- Der Umschalthebel muss richtig bedient werden und auf die Position "W" oder "M" eingestellt werden, bis er hörbar einrastet.

MODELLKENNZEICHNUNG

KONTAKTAUSLÖSER

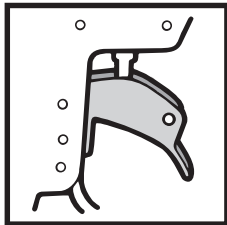
Das gemeinsame Betriebsverfahren bei "Kontaktauslöser"- Werkzeugen ist, dass der Anwender das Werkstück berührt, um den Mechanismus auszulösen, während er den Betätigungsschalter gedrückt hält, wodurch bei jedem Berühren des Werkstücks ein Befestigungsteil eingetrieben wird. Dies erlaubt schnellere Platzierung bei vielen Arbeiten, wie Verschalung, Bodenbelegung und Palettenbau. Alle pneumatischen Werkzeuge erzeugen Rückschlag beim Eintreiben von Befestigungsteilen.

Das Werkzeug kann abspringen, den Betätigungsschalter auslösen, und bei unbeabsichtigter Neuberührung der Werkstückoberfläche bei immer noch gedrücktem Betätigungsschalter (Schalter immer noch betätigt) wird ein weiteres Befestigungsteil eingetrieben.

KONTAKTAUSLÖSER-MODELL MIT SCHUTZMECHANISMUS GEGEN DOPPELSCHUSS

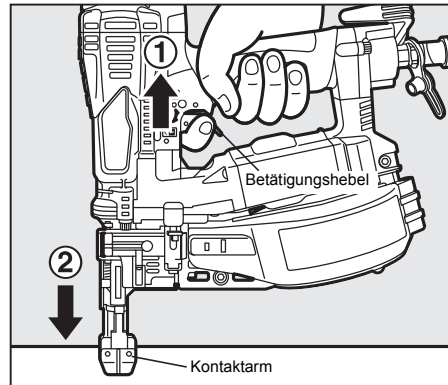
(US-Patent 5597106, UK-Patent 2286790)

Identifiziert durch **ROTEN BETÄTIGUNGSSCHALTER**.



KONTAKTSCHUSSBETRIEB (KONTAKTAUSLÖSER)

Bei Kontaktschussbetrieb halten Sie den Betätigungsschalter und drücken den Kontaktarm gegen die Werkstückoberfläche.

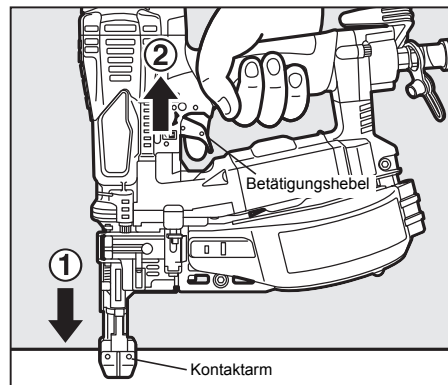


VERFAHREN

- ① Halten Sie den Betätigungsschalter.
- ② Drücken Sie den Kontaktarm.

EINZELNER SCHUSSBETRIEB (SCHUTZMECHANISMUS GEGEN DOPPELSCHUSS)

Für einzelnen Schussbetrieb, den Kontaktarm gegen die Werkstückoberfläche drücken und den Auslöser ziehen. Das Werkzeug kann nicht einen zweiten Nagel eintreiben, bis der Auslöser freigegeben ist und das Werkzeug einen Kreislauf durchmachen kann.



VERFAHREN

- ① Drücken Sie den Kontaktarm.
- ② Betätigen Sie den Betätigungsschalter.

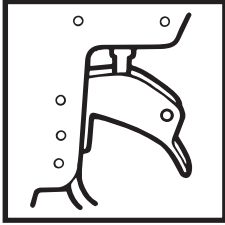
SEQUENZIELLE AUSLÖSUNG (Optionales Kit)

Die sequenzielle Auslösung erfordert, dass der Anwender das Werkzeug gegen das Werkstück hält, bevor er den Betätigungsschalter betätigt. Die erleichtert genaue Platzierung der Befestigungsteile, zum Beispiel beim Einrahmen, Beinageln oder Kistenbauen. Die sequenzielle Auslösung erlaubt genaue Befestigungsteilplatzierung ohne die Möglichkeit, dass ein zweites Befestigungsteil beim Rückschlag eingetrieben wird, wie unter "Kontaktauslösung" beschrieben.

Das Werkzeug mit sequenzieller Auslösung hat einen großen Sicherheitsvorteil, weil es nicht versehentlich Befestigungsteile eintreibt, wenn das Werkzeug gegen das Werkstück oder einen anderen Gegenstand gedrückt wird, während der Anwender den Betätigungsschalter gedrückt hält.

SEQUENZIELLE AUSLÖSUNG

Identifiziert durch **ORANGENEN BETÄTIGUNGSSCHALTER**.



KONTAKTOBERTEIL



WARNUNG

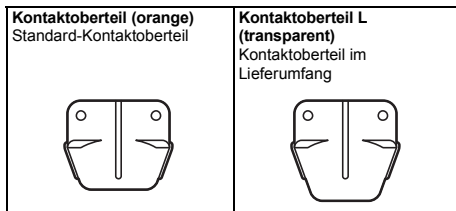
- Achten Sie beim Austauschen des Kontaktborteils darauf, dass der Betätigungshebel gesperrt ist und entfernen Sie den Luftschlauch.



VORSICHT

- Verwenden Sie das Kontaktborteil L, wenn die Schraube nicht fest angezogen werden soll (wie zum Beispiel beim Befestigen von Gipskartonplatten an dünnem Stahl oder weichem Holzträgermaterial usw.).

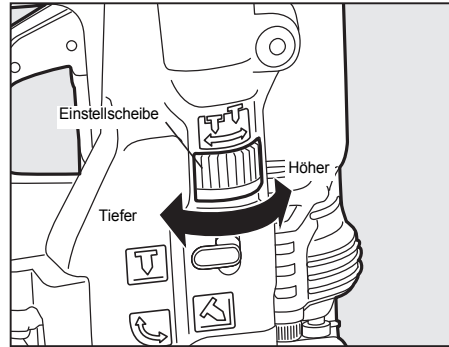
* Das Kontaktborteil L verringert die Eintreibkraft, sorgt für stabilere Ergebnisse, indem das Trägermaterial geschont wird, und reduziert die Anzahl lockerer Schrauben.



Das Kontaktborteil L ist 3 mm länger als das Standard-Kontaktborteil und reduziert die auf das Trägermaterial einwirkende Eintreibkraft.

- Wenn auch bei Verwendung des Kontaktborteils L keine Verbesserung eintritt, stellen Sie den UMSCHALTHEBEL auf "W" (Holzbasis).

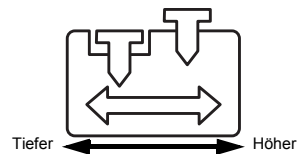
TIEFENEINSTELLSCHEBE



WARNUNG

- **IMMER** die Luftversorgung vor der Verwendung der Einstellscheibe abschalten.

- ① Nach erfolgter Luftdruckeinstellung ein paar Nägel in ein Musterstück des zu nagelnden Materials eintreiben, um zu sehen, oder die Nageltiefe verstellt werden muss.
- ② Wenn ja, Druckluftzufuhr abschalten.
- ③ Beim Drehen der Einstellscheibe die Richtungsmarkierung am Einstellabstandstück beachten.
- ④ Druckluftzufuhr wieder einschalten.



VERWENDUNG DES SINGLE-TOUCH-EINSTELLERS

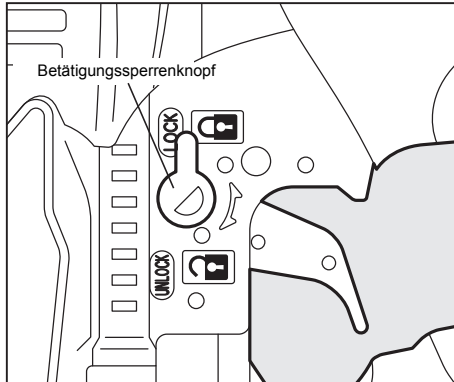


WARNUNG

- **IMMER die Druckluftversorgung vor der Verwendung des Single-Touch-Einstellers trennen.**
Wenn es unvermeidbar ist, eine Schraube schräg einzutreiben wie zum Beispiel in Ecken, kann dieses Werkzeug die Schraube auf Tastendruck unter die Plattenoberfläche versenken.

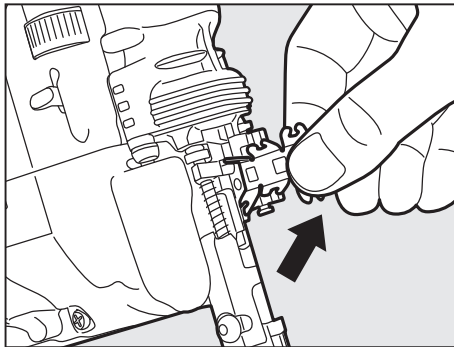
	Einstellerposition	Schraube	Anwendung
Flaches Eintreiben		<p>Wenn die Schraube schräg eingetrieben wird, steht der Kopf aus der Platte hervor.</p>	<p>Verwendung für flaches Eintreiben</p>
Schräges Eintreiben		<p>Der Schraubenkopf wird unter die Plattenoberfläche versenkt, wenn die Schraube schräg eingetrieben wird.</p>	<p>Verwendung für schräges Eintreiben</p>

BETÄTIGUNGSSPERRE



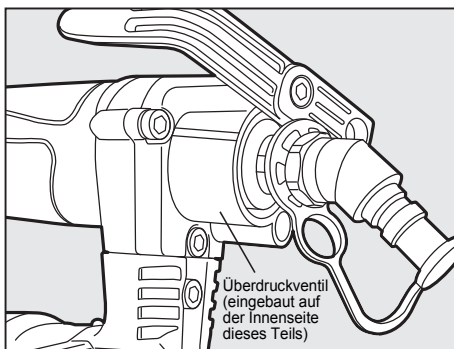
Das Gerät ist mit einer Betätigungssperre ausgestattet. Drücken und drehen Sie vor dem Eintreiben von Schrauben den Betätigungshebel von der Position LOCK auf die Position UNLOCK.

ENTFERNEN DES KUNSTSTOFFBANDS



Während die Schrauben eingetrieben werden, wird das Kunststoffband aus dem Werkzeug ausgegeben. Wenn ein ausreichend langer Streifen ausgegeben wurde, kann er an der Abreißkante an der Nase abgerissen werden.

ÜBERDRUCKVENTIL

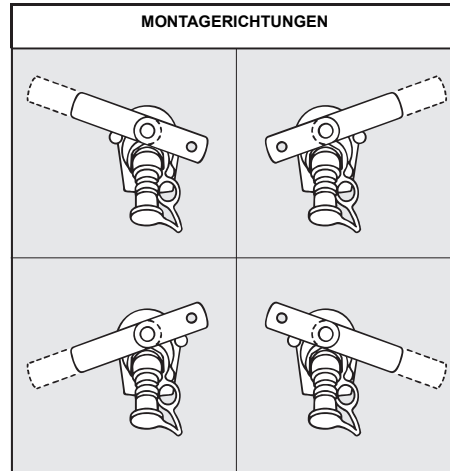


Dieses Werkzeug enthält ein Hochdruckreduzierventil zum Mindern des Druckbereichs auf der PowerLine Schlauchseite (18 bis 23 bar (250 bis 320 p.s.i.)) auf einen Druck von ca. 8 bar (120 p.s.i.).

In einer Situation, in der das Hochdruckreduzierventil ausfällt und der Druck sich im Werkzeug aufbaut, wird ein Überdruckventil aktiviert

zum Ablassen des Drucks, wobei ein Tonsignal ausgegeben wird. Da dies den Ausfall des Hochdruckreduzierventils anzeigt, die Verwendung des Geräts sofort einstellen, die Druckluftversorgung trennen und das Gerät zur Reparatur an einen MAX Co., Ltd. Vertragshändler oder einen anderen Fachhändler senden. Beachten Sie, dass das Überdruckventil in den hinteren Teil des Gerätegehäuses eingebaut ist.

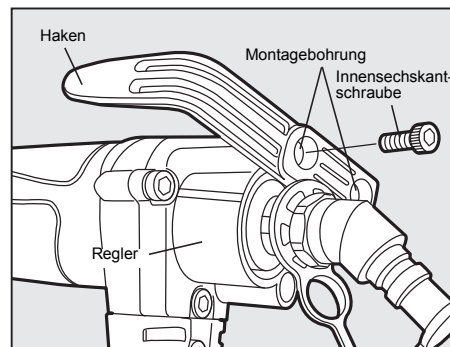
VERFAHREN ZUM ÄNDERN DER HAKENRICHTUNG



WARNUNG

- **IMMER die Druckluftversorgung vor dem Ändern der Richtung des Hakens trennen.**

Die Richtung des Hakens kann in vier verschiedene Richtungen geändert werden, und die Hakenbreite kann außerdem in zwei Stufen für jede Richtung geändert werden. Dadurch ergibt sich eine mögliche Einstellung von insgesamt acht Mustern.



Verwenden Sie zum Ändern der Richtung oder Breite des Hakens einen Innensechskantschlüssel 4, um die Innensechskantschraube, die den Haken befestigt, zu lösen. Setzen Sie nach dem Einstellen der Hakenposition die Innensechskantschraube wieder ein und ziehen Sie sie fest.

7. ERSETZEN DES BITS



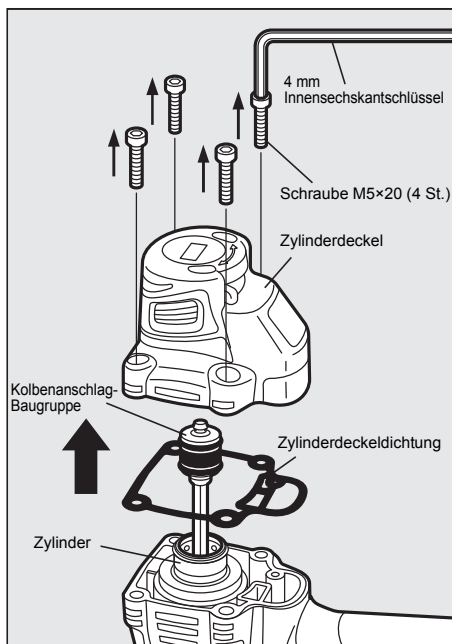
WARNUNG

- **IMMER** die Druckluftversorgung vor dem Ersetzen eines Bits trennen.

HINWEIS:

- 1 Achten Sie beim Austauschen des Bits darauf, dass weder Sand, Staub noch Fremdstoffe usw. in das Werkzeug gelangen. Andernfalls kann es zu einem Werkzeugausfall kommen. Ein Bit ist ein Verschleißteil. Die Verwendung eines abgenutzten Bits verschlechtert die Arbeitseffizienz und führt zu Fehlern beim Schrauben. Überprüfen Sie vor Beginn der Arbeit das Bit und tauschen Sie es aus, wenn es abgenutzt ist.
- 2 Verwenden Sie "TURBO DRIVER BIT B41X2", optional erhältlich bei dem MAX Co., Ltd. Vertragshändler oder einem Fachhändler.

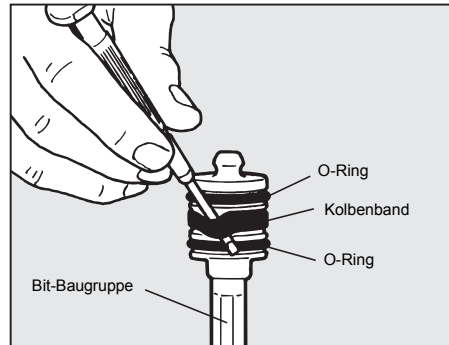
1. ENTFERNEN DES BITS



- 1 Schrauben M5x20 (4 St.) mit dem mitgelieferten 4 mm Innensechskantschlüssel entfernen.
- 2 Den Zylinderdeckel abnehmen. Anschließend lassen sich die Bit-Baugruppe und die Zylinderdeckeldichtung zusammen abnehmen. Bit-Baugruppe, die am Zylinderdeckel befestigt ist, herausziehen.

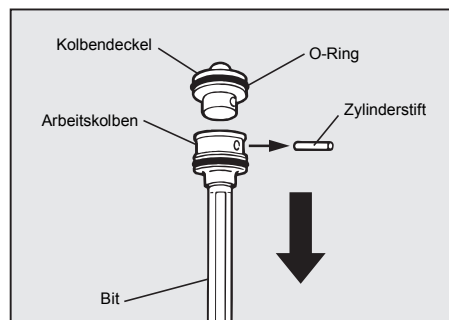
HINWEIS:

- Wenn die Kolbenanschlag-Baugruppe auch mit herausgezogen wird, wenn die Bit-Baugruppe aus dem Zylinderdeckel gezogen wird, die Kolbenanschlag-Baugruppe wieder in den Zylinderdeckel einsetzen.
- Wenn die Bit-Baugruppe im Zylinder klemmt, das Werkzeug umdrehen, um sie zu entfernen.

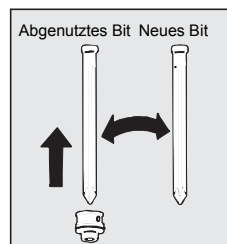


VORSICHT

- Das Kolbenband vorsichtig entfernen, um es nicht versehentlich einzuschneiden oder zu beschädigen.
 - Die O-Ringe (oberer und unterer) sind wichtige Teile zum Abdichten der Druckluft. Vermeiden Sie möglichst jede Berührung.
- 3 Entfernen Sie mit einem Präzisionsschraubendreher oder einem dünnen Nagel das Kolbenband von der Bit-Baugruppe.



- 4 Zylinderstift entfernen. Der Arbeitskolben und das Bit lösen sich vom Kolbendeckel.



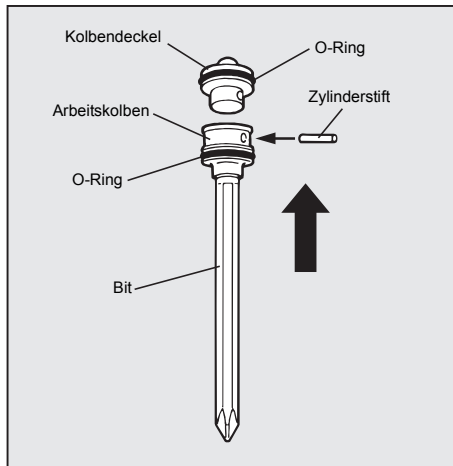
- 5 Das abgenutzte Bit vom Arbeitskolben entfernen und durch ein neues Bit ersetzen.

2. ZUSAMMENBAUEN

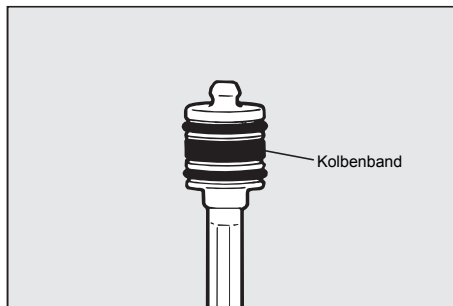


VORSICHT

- Verwenden Sie beim Zusammenbau ausschließlich das angegebene Öl und Fett.

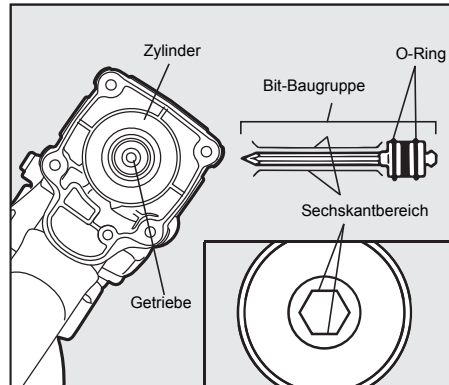


- ⑥ Mit dem Zylinderstift das neue Bit, den Arbeitskolben und den Kolbendeckel wie in Schritt ⑤ zusammengesetzt in der umgekehrten Reihenfolge von Schritt ④ befestigen.



VORSICHT

- Achten Sie darauf, dass der Zylinderstift fest eingesetzt wurde.
- ⑦ Das Kolbenband in die mittlere Rille der Bit-Baugruppe einlegen.

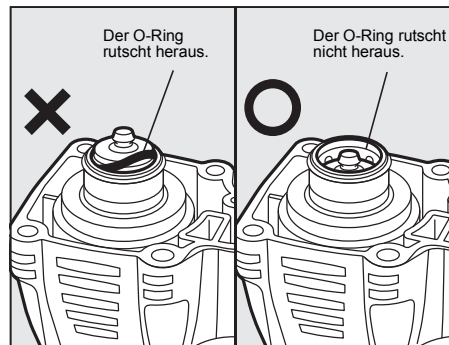


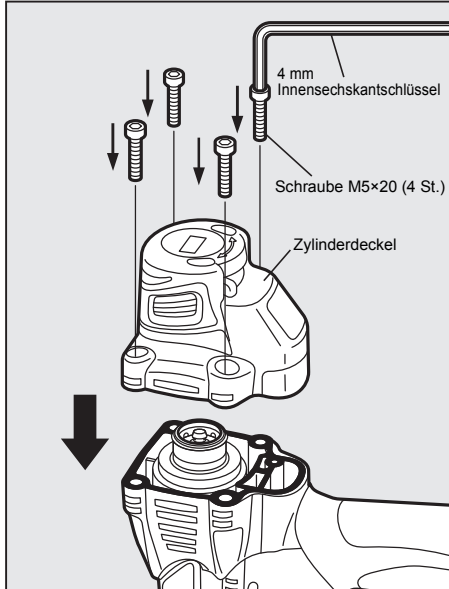
VORSICHT

- Achten Sie darauf, dass der O-Ring nicht aus der Bit-Baugruppe rutscht.
- ⑧ Sechskantbereich des Bits mit dem des Getriebes ausrichten und die Bit-Baugruppe in den Zylinder einsetzen.

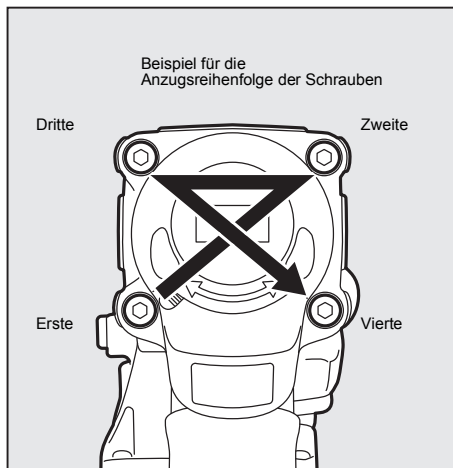
HINWEIS:

- Anschließend 10 oder mehr Tropfen Öl in den Zylinder geben.





- 9 Eine Zylinderdeckeldichtung in den oberen Teil des Gehäuses einlegen.
- 10 Den Zylinderdeckel auf die Zylinderdeckeldichtung setzen.
- 11 Den Zylinderdeckel festhalten, dabei die vier Schrauben (M5x20) mit dem 4 mm Innensechskantschlüssel festziehen.



WARNUNG

- Achten Sie darauf, dass der Zylinderdeckel fest und gleichmäßig mit den vier Schrauben (M5x20) mit dem vorgeschriebenen Anzugsmoment am Gehäuse befestigt wurde.

HINWEIS:

- Die Schrauben gleichmäßig über Kreuz festziehen. Das vorgeschriebene Anzugsmoment beträgt 100 bis 120 kgf-cm (86,8 bis 104,2 in lbs.).

8. WARTUNG FÜR OPTIMALE LEISTUNG

- 1 DEN NAGLER NICHT BETÄTIGEN, WENN ER LEER IST.
- 2 VERWENDEN SIE NUR EMPFOHLENES ÖL.
Turbinenöl sollte für die Schmierung des Gerätes verwendet werden. Nach Abschluss der Arbeiten sollten 10 Tropfen Öl mit einer Ölspritze in den Luftanschluss gegeben werden. (Empfohlenes Öl : ISO VG32)
- 3 TÄGLICH ODER JEWEILS VOR DER INBETRIEBSETZUNG ÜBERPRÜFEN UND WARTEN



WARNUNG

Vor der Überprüfung oder Wartung des Werkzeugs die Druckluftzufuhr abschalten und das Magazin leeren.

- (1) Luftdruckkompressor entleeren.
- (2) Alle Schrauben fest anziehen.
- (3) Dafür sorgen, dass der Kontaktarm leichtgängig bleibt.

9. AUFBEWAHRUNG

- 1 Wenn das Werkzeug für längere Zeit nicht verwendet wird, eine dünne Schicht Schmiermittel auf die Stahlteile auftragen, um Rostbildung zu verhindern.
- 2 Das Werkzeug nicht im Kalten aufbewahren. Das Werkzeug in einem warmen Bereich aufbewahren. Von Kindern fernhalten.
- 3 Wenn das Werkzeug nicht verwendet wird, muss es an einem warmen und trockenen Ort aufbewahrt werden. Von Kindern fernhalten.
- 4 Bei allen Qualitätswerkzeugen ist aufgrund des normalen Verschleißes schließlich eine Wartung oder die Ersetzung von Teilen erforderlich.

10. STÖRUNGSBESEITIGUNG

Störungsbeseitigung und/oder Reparaturen dürfen nur von den Vertragshändlern der MAX CO., LTD. oder anderen Fachleuten unter ordnungsgemäßer Berücksichtigung der hierin enthaltenen Informationen durchgeführt werden.



Ergänzung zur Betriebsanleitung

Unter der am 1. Januar 2001 in Kraft tretenden europäischen Norm EN 792-13 müssen Eintreibgeräte mit Kontaktauslösung mit dem Symbol "Nicht von Gerüsten oder Leitern benutzen" gekennzeichnet sein und dürfen nicht für bestimmte Anwendungen benutzt werden, zum Beispiel.

- * wenn das Wechseln von einer Eintreibstelle zur anderen über Gerüste, Treppen, Leitern oder leiterähnliche Konstruktionen, wie z.B. Dachlattungen, erfolgt,
- * das Schließen von Kisten oder Verschlüssen,
- * beim Anbringen von Transportsicherungen, z.B. auf Fahrzeugen und Waggons.

FRANÇAIS

MANUEL D'UTILISATION ET D'ENTRETIEN

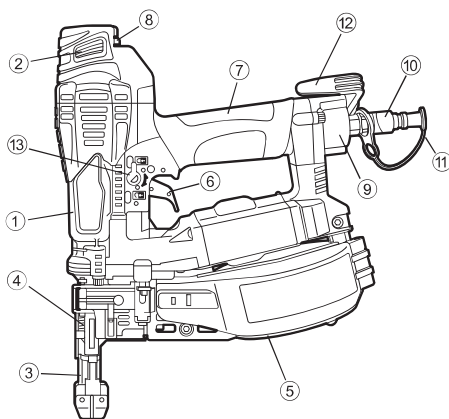
INDEX

1. NOM DES PIÈCES.....	31
2. CONSIGNES DE SÉCURITÉ GÉNÉRALES.....	32
3. AVERTISSEMENT DE SÉCURITÉ.....	32
4. CARACTÉRISTIQUES TECHNIQUES ET ACCESSOIRES	35
5. ALIMENTATION EN AIR COMPRIMÉ ET CONNEXIONS.....	35
6. INSTRUCTIONS D'EMPLOI	36
7. REMPLACEMENT DE L'EMBOUT.....	42
8. ENTRETIEN POUR OBTENIR LES MEILLEURES PERFORMANCES	44
9. EMMAGASINAGE.....	44
10. RÉPARATION	44



AVANT D'UTILISER CET OUTIL, LIRE CE MANUEL ET LES AVERTISSEMENTS DE SÉCURITÉ
AFIN DE GARANTIR UN FONCTIONNEMENT SÛR.
CONSERVER CE MANUEL EN LIEU SÛR AVEC L'OUTIL AFIN DE POUVOIR LE CONSULTER
ULTÉRIEUREMENT.

1. NOM DES PIÈCES



- ① Boîtier
- ② Couverture de cylindre
- ③ Bras de contact
- ④ Porte
- ⑤ Magasin
- ⑥ Levier de commande
- ⑦ Poignée
- ⑧ Levier de commutation
- ⑨ Régulateur
- ⑩ Prise d'air
- ⑪ Capuchon de prise
- ⑫ Crochet
- ⑬ Blocage du levier de commande

2. CONSIGNES DE SÉCURITÉ GÉNÉRALES



AVERTISSEMENT

POUR ÉVITER TOUT RISQUE DE BLESSURE OU DE DOMMAGE MATÉRIEL AVANT D'UTILISER L'OUTIL, LIRE ATTENTIVEMENT ET COMPRENDRE LES « CONSIGNES DE SÉCURITÉ » SUIVANTES. UN NON-RESPECT DE CES AVERTISSEMENTS POURRAIT ENTRAÎNER DES BLESSURES GRAVES VOIRE MORTELLES.



1. PORTEZ DES LUNETTES PROTECTRICES OU DE SÉCURITÉ

Un danger aux yeux est toujours présent provenant de la poussière rejetée par l'air s'échappant ou de l'éjection de clous à cause d'une manipulation incorrecte de l'outil. Dans ce cas, il est nécessaire de porter toujours des lunettes protectrices ou de sécurité quand l'outil est utilisé.

L'employeur et/ou l'utilisateur doivent assurer une protection appropriée des yeux des opérateurs de l'outil. L'équipement de protection des yeux doit répondre aux exigences du American National Standards Institute, Norme ANSI Z87.1 (Directive du Conseil 89/686/CEE du 21 décembre 1989) et assurer une protection frontale et latérale de la tête.

L'employeur est responsable pour imposer l'usage de l'équipement de protection des yeux par l'opérateur de l'outil et par tous les autres membres du personnel dans la surface de travail.

REMARQUE : Des lunettes sans protection latérale et un masque de protection n'assurent pas à eux seuls une protection correcte.



2. DANS CERTAINS ENVIRONNEMENTS UNE PROTECTION AUDITIVE PEUT ÊTRE EXIGÉE

Étant donné que les conditions de travail peuvent entraîner une exposition à des niveaux de bruit élevés qui peuvent provoquer des dommages d'audition, l'employeur et l'utilisateur doivent s'assurer qu'un équipement de protection auditive est mis à disposition et utilisé par l'opérateur et les autres personnes se trouvant sur le lieu de travail.



3. ÉLOIGNEZ VOTRE CORPS ET VOS MAINS DU NEZ DE L'APPAREIL

Lors du chargement et de l'utilisation de l'outil, ne jamais placer votre main ou une partie de votre corps dans la zone de décharge de l'élément de fixation de l'outil. Un contact accidentel avec les mains ou le corps est très dangereux.



4. NE PAS UTILISER SUR DES ÉCHAFAUDAGES OU DES ÉCHELLES

Ne pas utiliser sur des échafaudages et des échelles avec des machines à enfoncer les fixations équipées d'une commande par contact ou par contact continu.

3. AVERTISSEMENT DE SÉCURITÉ



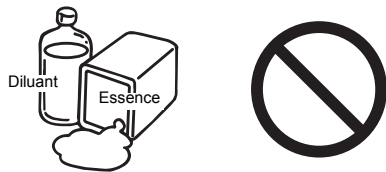
1. VEILLER À UTILISER UN COMPRESSEUR D'AIR ET UN FLEXIBLE D'AIR SPÉCIFIQUES POUR CET OUTIL

Pour améliorer les performances de l'outil, sa pression de service a été réglée sur une valeur supérieure à celle des cloueurs classiques. Un compresseur d'air et un flexible d'air spécifiques sont requis à tout moment pour utiliser l'outil. L'utilisation d'un gaz sous pression combustible (ex. oxygène, acétylène, etc.) entraîne une combustion anormale et éventuellement une explosion. Utiliser uniquement les compresseurs d'air et flexibles d'air spécifiques.



2. RESPECTER LA PLAGE DE PRESSION D'AIR APPROPRIÉE POUR L'UTILISATION

L'outil est conçu pour fonctionner dans une plage de pression de 18 à 23 bar (250 à 320 p.s.i.). La pression doit être ajustée au type de pièce à clouer. L'outil ne doit jamais être utilisé lorsque la pression de fonctionnement dépasse 23 bar (320 p.s.i.).



3. NE PAS UTILISER L'OUTIL PRÈS D'UNE SUBSTANCE INFLAMMABLE

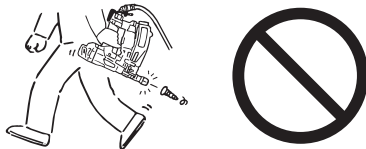
Ne jamais utiliser l'outil près d'une substance inflammable (ex. diluant, de l'essence, etc.). Les fumées volatiles de ces substances peuvent être attirées dans le compresseur, comprimées en même temps avec l'air, cela risquant de produire une explosion.

4. N'UTILISEZ JAMAIS L'OUTIL DANS UNE AMBIANCE EXPLOSIVE

Les étincelles de l'outil peuvent mettre à feu les gaz atmosphériques, la poussière ou d'autres matériaux combustibles.

5. NE PAS UTILISER DES ÉLÉMENTS DE FIXATION INADÉQUATS

Le connecteur sur l'outil ne doit pas retenir la pression lorsque l'admission d'air est débranchée. Si une fixation non appropriée est utilisée, l'outil peut rester chargé d'air après le débranchement et sera ainsi capable d'enfoncer un élément de fixation même après le débranchement de l'arrivée d'air, provoquant ainsi des dommages éventuels.



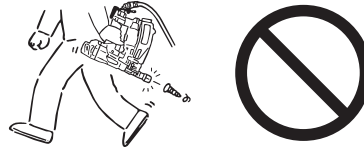
6. COUPER L'ALIMENTATION EN AIR COMPRIMÉ ET VIDER LE MAGASIN LORSQUE L'OUTIL N'EST PAS UTILISÉ

Veillez à toujours débrancher l'arrivée d'air de l'outil et à vider le magasin en fin de travail ou lorsque le travail est suspendu, lorsque l'outil est laissé sans surveillance, est déplacé vers un autre lieu de travail, réglé, démonté ou réparé, ou encore lorsque vous dégagez un fermail.



7. CONTRÔLER LE SERRAGE DES VIS

Des vis ou des boulons desserrés ou incorrectement installés peuvent provoquer des accidents et endommager l'outil lorsqu'il est mis en service. Contrôler et vérifier que tous les vis et boulons sont bien serrés et correctement installés avant d'utiliser l'outil.



8. NE PAS TOUCHER LE DÉCLENCHEUR SAUF POUR ENFONCER UN ÉLÉMENT DE FIXATION

Chaque fois que l'arrivée d'air est connectée à l'outil, ne jamais toucher le déclencheur sauf si on a l'intention d'enfoncer des éléments de fixation dans la pièce. Il est dangereux de porter l'outil tout en marchant avec le déclencheur enclenché. Ceci, ainsi que des actions similaires doivent être évités.

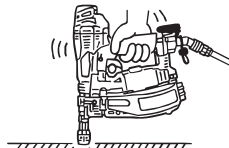


9. NE JAMAIS DIRIGER L'ORIFICE DE REFOULEMENT VERS VOUS OU VERS UNE AUTRE PERSONNE

En cas de raté, les personnes qui se trouveraient dans la trajectoire de l'orifice de refoulement risquent d'être grièvement blessées. Lorsque vous branchez ou débranchez le tuyau, montez ou démontez les fermailles ou effectuez une intervention quelconque, vérifiez toujours que l'orifice de refoulement n'est orienté vers personne.

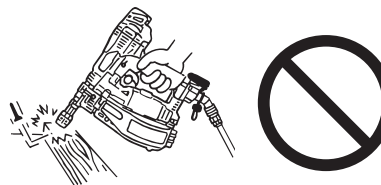
10. UTILISER LES ÉLÉMENTS DE FIXATION APPROPRIÉS (VOIR PAGE 35)

L'utilisation d'éléments de fixation autres que ceux spécifiés provoque le mauvais fonctionnement de l'outil. S'assurer d'utiliser uniquement les éléments de fixation appropriés avec l'outil.



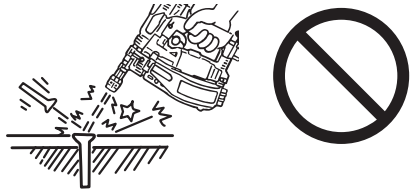
11. PLACER CORRECTEMENT LA SORTIE DE DÉCHARGE SUR LA SURFACE DE TRAVAIL

Si l'on oublie de placer la sortie de décharge du nez de façon appropriée, on risque d'avoir comme conséquence un détachement violent de l'attache vers le haut et ceci est extrêmement dangereux.



12. NE PAS APPLIQUER LES ÉLÉMENTS DE FIXATION PRÈS DU BORD DE LA PIÈCE ET SUR UN MATÉRIAU MINCE

La pièce a tendance à éclater et l'élément de fixation risque de sauter et de heurter quelqu'un. Faire attention lors de la fixation d'un matériau mince ou près des bords et des coins de la pièce.



13. NE PAS ENFONCER DES POINTES OU AGRAFES SUR D'AUTRES ÉLÉMENTS DE FIXATION

Le fait d'enfoncer des éléments de fixation par-dessus d'autres éléments de fixation risque de provoquer un éclatement de ces éléments qui pourrait provoquer des blessures.

14. RETRAIT DES PROJECTILES APRÈS LA FIN DE L'OPÉRATION

Si les projectiles sont laissés dans le magasin après la fin de l'opération, il y a danger d'accident grave qui risque de se produire avant la reprise de l'opération, au cas où l'outil est manipulé négligemment ou lors du branchement de la fixation d'air. Par conséquent, toujours enlever tous les projectiles restant dans le changeur après la fin de l'opération.

15. VÉRIFIER FRÉQUEMMENT LE FONCTIONNEMENT DU MÉCANISME DE DÉCLENCEMENT EN CAS D'UTILISATION D'UN OUTIL DE TYPE À DÉCLENCEMENT AU COUP À COUP

Ne pas utiliser l'outil si le déclencheur ne fonctionne pas correctement, car un enfoncement accidentel d'un projectile de fixation risque de se produire. Ne pas gêner le fonctionnement correct du mécanisme de déclenchement au coup à coup.



16. UTILISATION DE L'OUTIL À L'EXTÉRIEUR OU SUR UN ENDROIT SURÉLEVÉ

Pour fixer un toit, ou une surface similaire inclinée, commencer la fixation sur la partie inférieure et exécuter le travail en montant progressivement. Il est dangereux de faire des fixations en reculant, car on risque de perdre pied en glissant.

Fixer le tuyau à un point près de la zone où les éléments de fixation doivent être enfoncés. Des accidents risquent de se produire à cause d'un tuyau coincé ou tiré par inadvertance.

17. NE JAMAIS UTILISER L'OUTIL SI N'IMPORTE QUELLE PARTIE DES COMMANDES D'OUTIL (PAR EXEMPLE, DÉCLENCEUR, BRAS DE CONTACT) EST INOPÉRABLE, DÉBRANCHÉE, CHANGÉE OU NE FONCTIONNANT PAS CORRECTEMENT

18. NE JAMAIS LANCER LES POINTES DANS UN ESPACE LIBRE

Les pointes voltigeant dans l'air présentent un certain danger.

19. TOUJOURS PRÉSUMER QUE L'OUTIL EST MUNI DE FERMOIRS

20. CONSIDÉREZ L'OUTIL COMME UN INSTRUMENT DE TRAVAIL

21. NE FAITES PAS DE GESTES BRUSQUES

22. NE JAMAIS MONTER LES FERMOIRS SUR L'OUTIL LORSQU'UNE COMMANDE (DÉTENTE OU BRAS DE CONTACT par exemple) EST ACTIVÉE

23. LORSQUE LA MACHINE OU SES PIÈCES SONT MISES AU REBUT, SUIVRE LES RÉGLEMENTS NATIONAUX CORRESPONDANTS

RESPECTER LES PRÉCAUTIONS GÉNÉRALES SUIVANTES EN PLUS DES AUTRES AVERTISSEMENTS DÉCRITS DANS CE MANUEL

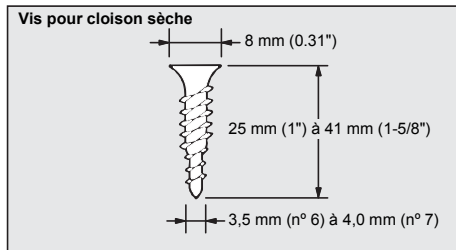
- Ne pas utiliser l'outil comme un marteau.
- Toujours saisir l'outil par la poignée, et ne jamais le tenir par le flexible d'air.
- L'outil doit être utilisé uniquement pour l'usage préconisé.
- Ne jamais retirer ou altérer les commandes (DÉTENTE OU BRAS DE CONTACT par exemple).
- Conserver l'outil dans un endroit sec, hors de portée des enfants, lorsqu'il n'est pas utilisé.
- Ne pas utiliser l'outil sans l'étiquette de sécurité.
- Ne pas modifier la conception originale ou les caractéristiques de l'outil sans le consentement de MAX CO. LTD.

4. CARACTÉRISTIQUES TECHNIQUES ET ACCESSOIRES

1. SPÉCIFICATIONS DE L'OUTIL

Hauteur	312 mm (12-1/4")
Largeur	116 mm (1-1/2")
Longueur	300 mm (11-3/4")
Poids	1,9 kg (4,2 lbs.)
Pression de service recommandée	18 à 23 bar (250 à 320 p.s.i.)
Capacité de charge	100 vis
Consommation en air comprimé	1,9 l à une pression de service de 23,0 bar (334 p.s.i.)
ACCESSOIRES	Clé pour vis à six pans creux, graisseur à jet, lunettes de sécurité, contact supérieur L

2. SPÉCIFICATIONS DU MATÉRIEL DE FIXATION



PRESSION DE SERVICE RECOMMANDÉE :

De 18 à 23 bar (250 à 320 p.s.i.). Régler l'air comprimé à l'intérieur de cette plage pour garantir la meilleure performance possible de fixation.

LA PRESSION DE SERVICE NE DOIT PAS DÉPASSER 23 BARS (320 p.s.i.).

3. CARACTÉRISTIQUES TECHNIQUES

1 BRUIT

Niveau de puissance sonore pulsée par rapport à la courbe A

----- LWA, 1s, d 95,59 dB

Niveau de pression acoustique pulsée par rapport à la courbe A

----- LpA, 1s, d 93,92 dB

Ces valeurs ont été calculées et documentées, en conformité avec EN12549:1999.

2 VIBRATIONS

Valeur caractéristique de vibration = 2,45 m/s²

Ces valeurs sont déterminées et documentées conformément à la norme ISO 8662-11.

Cette valeur représente une valeur caractéristique connexe à l'outil et non l'influence au système main-bras lorsque l'on utilise l'outil. Une influence au système main-bras lorsque l'on utilise l'outil dépendra, par exemple, de la force de saisie, la force de pression de contact, la direction de fonctionnement, le réglage de l'air principal, la pièce de travail, le support de pièce de travail.

4. APPLICATIONS

* Fixation de plaque de plâtre, de plaque décorative, et d'autres plaques pour l'intérieur des bâtiments.

5. ALIMENTATION EN AIR COMPRIMÉ ET CONNEXIONS



AVERTISSEMENT

Lire le paragraphe intitulé « CONSIGNES DE SÉCURITÉ »



NE PAS UTILISER D'AUTRE SOURCE D'ALIMENTATION QU'UN COMPRESSEUR D'AIR

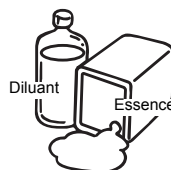
L'outil est conçu pour fonctionner avec de l'air comprimé. Ne pas utiliser l'outil avec d'autres gaz combustibles (ex. oxygène, acétylène, etc.), car il y a risque d'explosion. Par conséquent, ne rien utiliser d'autre que le compresseur d'air pour faire fonctionner cet outil.



RESPECTER LA PLAGE DE PRESSION D'AIR APPROPRIÉE POUR L'UTILISATION

L'outil est conçu pour fonctionner dans une plage de pression de 18 à 23 bar (250 à 320 p.s.i.).

La pression doit être ajustée au type de pièce à clouer. L'outil ne doit jamais être utilisé lorsque la pression de fonctionnement dépasse 23 bar (320 p.s.i.).



NE PAS UTILISER L'OUTIL PRES D'UNE SUBSTANCE INFLAMMABLE

Ne jamais utiliser l'outil près d'une substance inflammable (ex. diluant, de l'essence, etc.). Les fumées volatiles de ces substances peuvent être attirées dans le compresseur, comprimées en même temps avec l'air, cela risquant de produire une explosion.

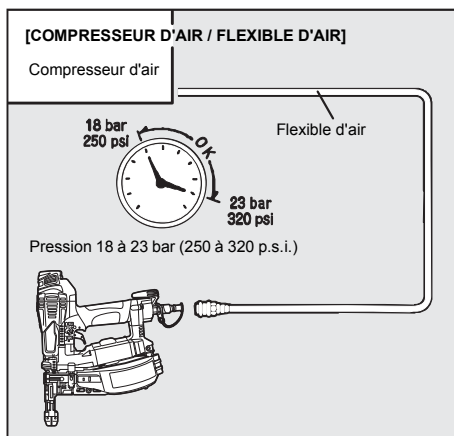
NE PAS UTILISER DES ÉLÉMENTS DE FIXATION INADÉQUATS

Le connecteur sur l'outil ne doit pas retenir la pression lorsque l'admission d'air est débranchée. Si une fixation non appropriée est utilisée, l'outil peut rester chargé d'air après le débranchement et sera ainsi capable d'enfoncer un élément de fixation même après le débranchement de l'arrivée d'air, provoquant ainsi des dommages éventuels.



COUPER L'ALIMENTATION EN AIR COMPRIMÉ ET VIDER LE MAGASIN LORSQUE L'OUTIL N'EST PAS UTILISÉ

Veillez à toujours débrancher l'arrivée d'air de l'outil et à vider le magasin en fin de travail ou lorsque le travail est suspendu, lorsque l'outil est laissé sans surveillance, est déplacé vers un autre lieu de travail, réglé, démonté ou réparé, ou encore lorsque vous dégagez un fermail.



LORSQUE L'OUTIL EST UTILISÉ, VEILLER À UTILISER UN COMPRESSEUR D'AIR ET UN FLEXIBLE D'AIR SPÉCIFIQUES

Pour améliorer les performances de l'outil, sa pression de service a été réglée sur une valeur supérieure à celle des cloueurs classiques. Un compresseur d'air et un flexible d'air spécifiques sont requis à tout moment (Compresseur MAX PowerLite et flexible d'air MAX PowerLite) pour utiliser l'outil. L'utilisation d'un gaz sous haute pression (ex. oxygène, acétylène, etc.) entraîne une combustion anormale et éventuellement une explosion. Utiliser uniquement les compresseur d'air et flexible d'air spécifiques.

REMARQUE :

Des graissages fréquents, mais non excessifs sont nécessaires pour conserver la meilleure performance. L'huile ajoutée à travers le raccord de ligne d'air lubrifie les pièces internes.

6. INSTRUCTIONS D'EMPLOI

Lire le paragraphe intitulé « CONSIGNES DE SÉCURITÉ »

1. AVANT DE TRAVAILLER

- 1 Mettre les lunettes de protection.
- 2 Ne pas encore brancher l'alimentation en air comprimé.
- 3 Vérifier la bonne assise des vis.
- 4 Vérifier le fonctionnement du bras de contact et s'assurer que le levier de commande se déplace librement.
- 5 Brancher l'alimentation en air comprimé.
- 6 Rechercher l'éventuelle présence d'une fuite d'air. (L'appareil ne doit pas avoir de fuite d'air.)
- 7 Tenir l'outil (ne pas mettre de doigt sur le levier de commande) et appuyer le bras de contact contre la pièce à fixer. (L'outil ne doit pas être en marche.)
- 8 Tenir l'outil de sorte que le bras de contact ne repose pas sur la pièce à fixer et appuyer sur le levier de commande. (L'outil ne doit pas être en marche.)
- 9 Débrancher l'alimentation en air.



AVERTISSEMENT



2. TRAVAILLER

Portez des lunettes protectrices ou de sécurité

Un danger aux yeux est toujours présent provenant de la poussière rejetée par l'air s'échappant ou de l'éjection de clous à cause d'une manipulation incorrecte de l'outil. Dans ce cas, il est nécessaire de porter toujours des lunettes protectrices ou de sécurité quand l'outil est utilisé.

L'employeur et/ou l'utilisateur doivent assurer une protection appropriée des yeux des opérateurs de l'outil. L'équipement de protection des yeux doit répondre aux exigences du American National Standards Institute, Norme ANSI Z87.1 (Directive du Conseil 89/686/CEE du 21 décembre 1989) et assurer une protection frontale et latérale de la tête.

L'employeur est responsable pour imposer l'usage de l'équipement de protection des yeux par l'opérateur de l'outil et par tous les autres membres du personnel dans la surface de travail.

REMARQUE :

Des lunettes sans protection latérale et un masque de protection n'assurent pas à eux seuls une protection correcte.

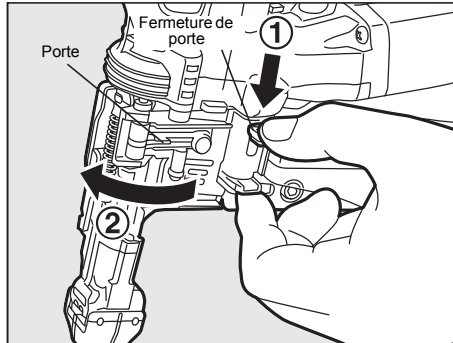


AVERTISSEMENT

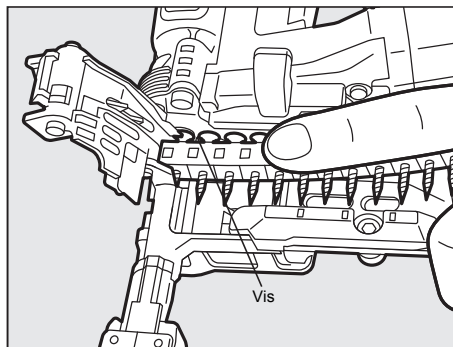
Veillez à tenir les mains et le reste du corps hors de portée de l'ouverture de sortie pendant l'agrafage/le pointage pour éviter de toucher accidentellement les mains ou le corps.



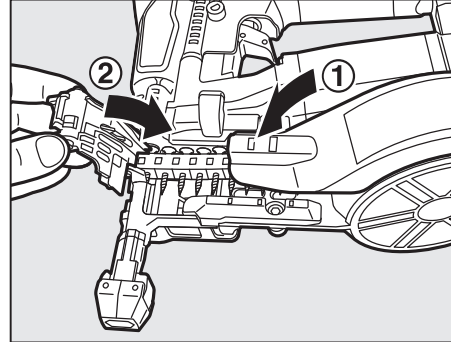
CHARGEMENT DES VIS



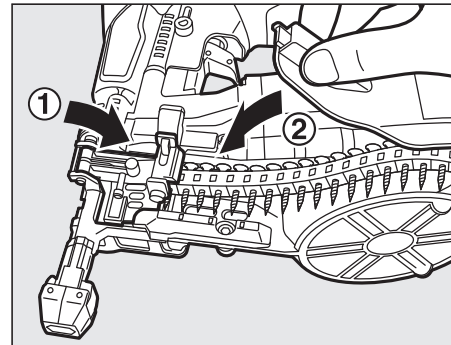
- ① Ouvrir le magasin.
Tirer le dispositif de fermeture de porte et pivoter la porte pour l'ouvrir. Pivoter le capot du magasin pour l'ouvrir.



- ② Chargement des vis.
Placer une bobine de vis dans le magasin. Dérouler un nombre suffisant de vis pour atteindre le cliquet d'avance, et placer la deuxième vis sur le cliquet d'avance. Les têtes de vis s'adaptent dans la fente du nez.



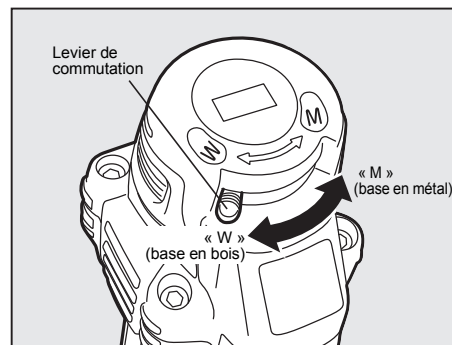
- ③ Pivoter le capot du magasin pour le fermer.
④ Fermer la porte.
Vérifier que le dispositif de fermeture s'engage. (S'il ne s'engage pas, vérifier que les têtes de vis sont bien installées dans la fente sur le nez.)



* Il est également possible de fermer d'abord la porte, puis le capot du magasin.

TEST

- ① Régler l'air comprimé sur 18 bars (250 p.s.i.) et brancher l'alimentation en air comprimé.
② Appuyer le bras de contact contre la pièce à fixer sans cependant toucher au levier de commande. Tirer le déclencheur. (L'outil doit tirer la pointe.)
③ Régler la pression atmosphérique à un niveau aussi bas que possible, selon les diamètres, la longueur de l'attache et la dureté de la pièce de travail.



LEVIER DE COMMUTATION

Cet outil dispose d'un mécanisme à levier de commutation qui permet un vissage optimal (maniabilité, vitesse) en fonction de la surface du matériau de base qui recevra la vis.

REMARQUE :

- Il est recommandé de placer le levier de commutation dans une position adaptée à la surface du matériau de base qui recevra la vis.

POSITION DU LEVIER DE COMMUTATION

Position du levier	Matériau de base recevant la vis	
	Matériau de base	Matériau en surface
« W » (base en bois)	Bois	Cloison sèche (9,5 à 15 mm d'épaisseur), 1 ou 2 pièces
« M » (base en métal)	Métal (moins de 0,8 mm d'épaisseur)	Cloison sèche (9,5 à 15 mm d'épaisseur), 1 ou 2 pièces

Matériau de base	Nombre de plaques	Position du levier	
		« W »	« M »
Bois	1	*1	*2
	2	*1	*2
Métal	1	*2	*1
	2	*3	*1

*1 : optimal

*2 : entraînement possible

*3 : entraînement impossible

REMARQUE :

- Si le matériau de base est du métal et si 2 plaques de cloison sèche sont utilisées, l'entraînement est impossible lorsque le levier de commutation est en position « W ».
- Le levier de commutation doit être correctement actionné et réglé sur la position « W » ou « M » jusqu'à son encliquetage.

IDENTIFICATION DES DIFFÉRENTS MODÈLES

DÉCLENCHEMENT AU COUP À COUP

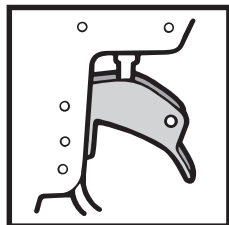
La méthode de fonctionnement commune sur les outils à « déclenchement par contact » permet à l'opérateur d'entrer en contact avec la pièce de travail pour actionner le déclencheur tout en le maintenant tiré, ceci permettant d'enfoncer un clou chaque fois que la pièce de travail entre en contact. Ceci permettra une pose rapide des clous sur beaucoup de pièces de travail, comme dans le cas de mise en gaine, pose de plancher et assemblage de palettes. Tous les outils pneumatiques sont sujets à un recul lorsque l'on place des clous.

L'outil risque de rebondir, en cas de déclenchement, et d'entrer par mégarde en contact avec la surface de la pièce de travail avec le déclencheur toujours actionné (pendant que le doigt de l'opérateur tire toujours le déclencheur). Dans ce cas un deuxième clou non prévu sera enfoncé.

MODÈLE DE DÉCLENCHEMENT PAR CONTACT AVEC MÉCANISME DE DÉCLENCHEMENT ANTI-DOUBLE

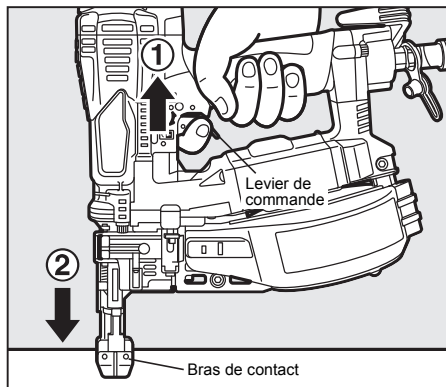
(Brevet 5597106 USA, Brevet GB 2286790)

Identifié par le DÉCLENCHEUR ROUGE.



OPÉRATION DE DÉCLENCHEMENT PAR CONTACT (DÉCLENCHEMENT AU COUP À COUP)

Pour l'opération de déclenchement par contact, tenir le déclencheur et enfoncer le bras de contact contre la surface de la pièce de travail.

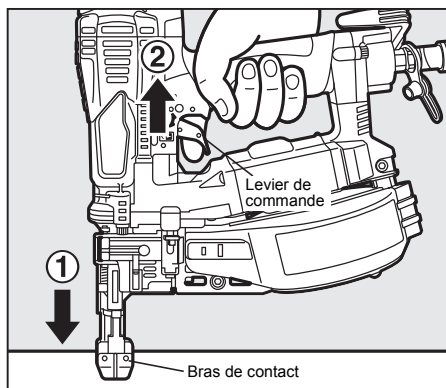


MÉTHODE

- Tenir le déclencheur.
- Presser le bras de contact.

OPÉRATION DE DÉCLENCHEMENT SIMPLE (MÉCANISME DE DÉCLENCHEMENT ANTIDOUBLE)

Pour l'opération de déclenchement simple, presser le bras de contact contre la surface de la pièce de travail, puis tirer le déclencheur. L'outil ne peut pas déclencher un deuxième clou jusqu'à ce que le déclencheur soit libéré et l'outil peut faire un cycle.



MÉTHODE

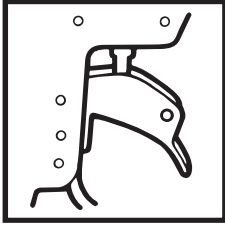
- Presser le bras de contact.
- Tirer le déclencheur.

DÉCLENCHEMENT SÉQUENTIEL (kit en option)

Avec le déclenchement séquentiel, l'opérateur doit tenir l'outil contre la pièce de travail avant de tirer le déclencheur. Ceci facilite une pose précise des clous, par exemple dans le cas d'encadrement, de clouage de plancher et d'assemblage de caisses. Le déclenchement séquentiel permet un positionnement exact des vis sans risque d'enfoncer une deuxième vis en cas de recul, comme décrit dans le paragraphe « Déclenchement par contact ».

L'outil de déclenchement séquentiel présente un avantage de sécurité parce qu'il ne cause pas une pose accidentelle des clous si l'outil entre en contact avec la pièce de travail ou toute autre objet, pendant que l'opérateur maintient le déclencheur tiré.

DÉCLENCHEMENT SÉQUENTIEL
Identifié par le **DÉCLENCHEUR ORANGE**.



CONTACT SUPÉRIEUR



AVERTISSEMENT

- Lors du remplacement du contact supérieur, veiller à bloquer le déclencheur et à retirer le flexible d'air.



ATTENTION

- Utiliser le contact supérieur L si la vis ne se serre pas (par exemple, lors de la fixation de cloisons sèches sur des matériaux de base en acier fin ou en bois souple, etc.).

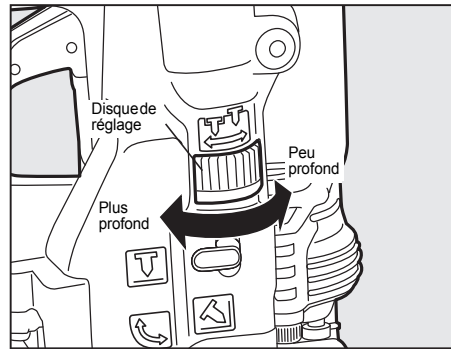
* Le contact supérieur L réduit l'entraînement, permet d'obtenir un résultat plus stable en réduisant les effets sur le matériau de base et réduit le risque de desserrage des vis.

<p>Contact supérieur (orange) Contact supérieur standard</p>	<p>Contact supérieur L (transparent) Contact supérieur inclus</p>
---	--

Le contact supérieur L est 3 mm plus long que le contact supérieur standard, et réduit l'entraînement sur les matériaux de base.

- Si aucune amélioration n'est constatée même lorsque le contact supérieur L est utilisé, régler le **LEVIER DE COMMUTATION** sur « W » (base en bois).

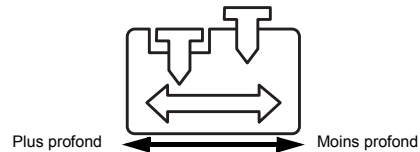
DISQUE DE RÉGLAGE DE LA PROFONDEUR D'ENTRAÎNEMENT



AVERTISSEMENT

- **TOUJOURS débrancher l'alimentation d'air avant de régler le cadran.**

- ① Enfoncer, après avoir réglé l'air comprimé, quelques pointes dans un échantillon du matériau à fixer pour voir s'il est nécessaire de régler la profondeur des pointes.
- ② Si oui, couper l'alimentation en air comprimé.
- ③ Se référer à la marque sur l'entretoise de réglage pour la direction de rotation du cadran de réglage.
- ④ Rebrancher l'alimentation en air comprimé.



UTILISATION DU DISPOSITIF DE RÉGLAGE PAR SIMPLE PRESSION



AVERTISSEMENT

• **TOUJOURS débrancher l'alimentation en air avant de régler le dispositif de réglage par simple pression.**
 Lorsqu'il est impossible de ne pas enfoncer une vis en biais, dans un angle par exemple, cet outil peut se glisser sous la surface de la plaque d'une simple pression.

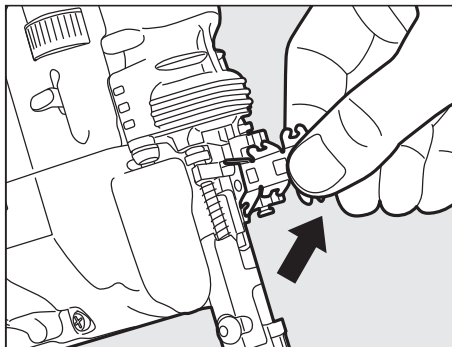
	Position du dispositif de réglage	Vis	Application
Entraînement droit	<p>En saillie</p>	<p>Si la vis est entraînée en biais, sa tête reste en dehors de la plaque.</p>	<p>Utilisation pour un entraînement droit</p>
Entraînement en biais	<p>En saillie</p>	<p>La tête de la vis glisse sous la surface de la plaque si elle est entraînée en biais.</p>	<p>Utilisation pour un entraînement en biais</p>

MODE D'EMPLOI DU MÉCANISME DE BLOCAGE DU DÉCLENCHEUR



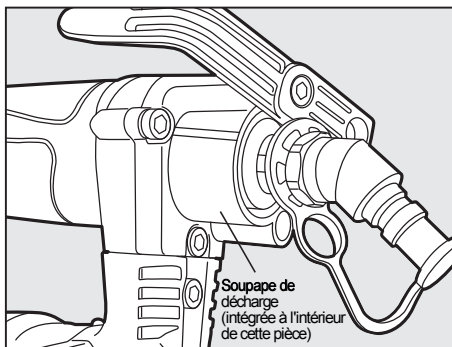
Cet appareil est équipé d'un mécanisme de blocage du déclencheur. Appuyer sur le mécanisme de blocage de la commande en position LOCK (blocage) et le tourner vers la position UNLOCK (déblocage) avant d'utiliser l'appareil.

RETRAIT DE LA BANDE EN PLASTIQUE



Au fur et à mesure que les vis sont insérées, la bande en plastique sort de l'outil. Lorsqu'une longueur suffisante de bande est sortie, elle peut être déchirée en la tirant vers le bord de coupe du nez.

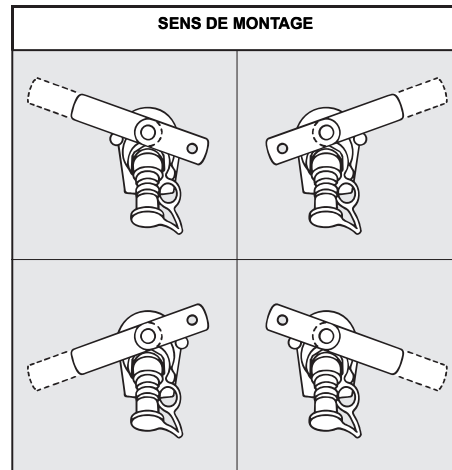
SOUPAPE DE DÉCHARGE



Cet outil intègre une soupape de réduction de haute pression qui permet de réduire la plage de pression utilisée au niveau du flexible PowerLine (18 à 23 bar (250 à 320 p.s.i.) à une pression d'environ 8 bar (120 p.s.i.).

Dans le cas où la soupape de réduction de haute pression ne réussit pas à réduire la pression et que celle-ci s'accumule alors dans l'outil, une soupape de décharge s'active pour libérer la pression tout en émettant un son. Étant donné que cela indique que la soupape de réduction de haute pression est défectueuse, arrêter immédiatement d'utiliser l'outil, débrancher l'alimentation en air et la confier pour réparation à un distributeur autorisé de la société MAX Co., Ltd. ou un autre spécialiste. Noter que la soupape de décharge est intégrée à la partie arrière du corps de la machine.

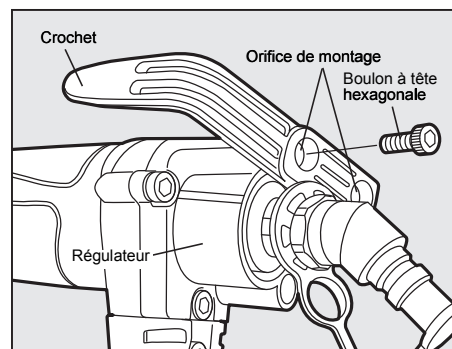
MÉTHODE DE MODIFICATION DU SENS DU CROCHET



AVERTISSEMENT

- **TOUJOURS débrancher l'alimentation en air avant de modifier le sens du crochet.**

Le crochet peut être réglé dans quatre sens, il présente également deux réglages de largeur pour chaque sens. Au total, le crochet peut être réglé de huit manières différentes.



Pour changer le sens ou la largeur du crochet, utiliser une clé pour vis à six pans creux de 4 mm et retirer le bouton à tête hexagonale qui retient le crochet. Après avoir réglé la position du crochet, remplacer et serrer le boulon à tête hexagonale.

7. REMPLACEMENT DE L'EMBOUT



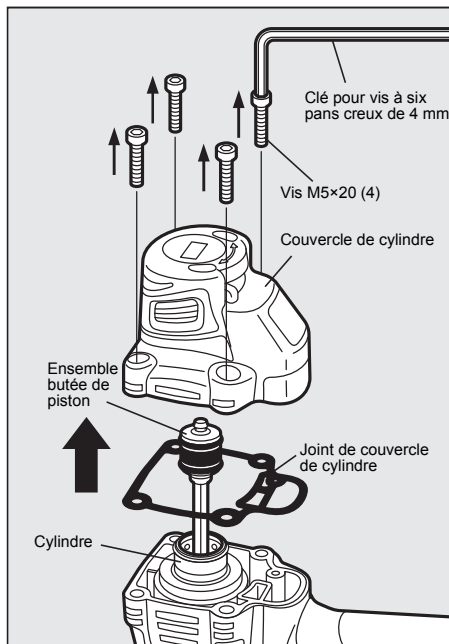
AVERTISSEMENT

- **TOUJOURS débrancher l'alimentation en air avant de remplacer un embout.**

REMARQUE :

- 1 Faire attention, lors du remplacement de l'embout, que du sable, de la poussière ou tout corps étranger ne pénètre pas dans l'outil.
Cela pourrait entraîner une panne de l'outil.
- 2 Un embout est une pièce consommable, l'utilisation d'un embout usé diminue l'efficacité du travail et entraîne une pose incorrecte de la vis. Inspecter l'embout avant de commencer à travailler et le remplacer s'il est usé.
- 3 Utiliser le « TURBO DRIVER BIT B41X2 » (embout à entraînement ultrapuissant) disponible auprès des distributeurs autorisés de la société MAX Co., Ltd. ou d'autres spécialistes.

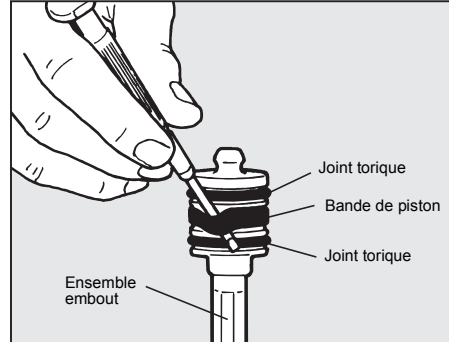
1. RETRAIT DE L'EMBOUT



- 1 Retirer les vis M5x20 (4) à l'aide de la clé pour vis à six pans creux de 4 mm fournie.
- 2 Retirer le couvercle de cylindre. L'ensemble embout et le joint de couvercle de cylindre se retirent alors ensemble. Extraire l'ensemble embout fixé au couvercle de cylindre.

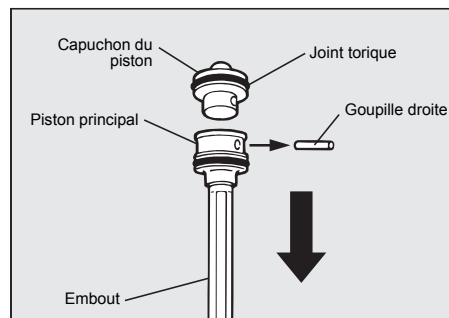
REMARQUE :

- Si l'ensemble butée de piston est également retiré lorsque l'ensemble embout est extrait du couvercle de cylindre, monter de nouveau l'ensemble butée de piston dans le couvercle de cylindre.
- Si l'ensemble embout reste à l'intérieur du cylindre, retourner l'outil pour le retirer.

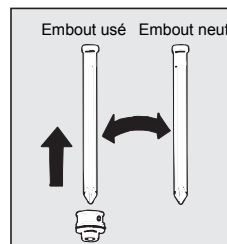


ATTENTION

- Retirer la bande de piston avec soin pour ne pas la couper ni l'endommager par erreur.
 - Les joints toriques (supérieur et inférieur) sont des pièces importantes pour l'étanchéité de l'air comprimé. Essayer d'y toucher le moins possible.
- 3 Retirer la bande de piston de l'ensemble embout à l'aide d'un tournevis d'horloger plat ou d'un clou fin.



- 4 Retirer la goupille droite. Le piston principal et l'embout se détachent du capuchon du piston.



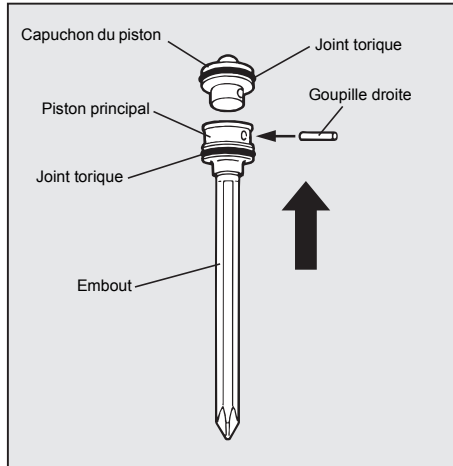
- 5 Retirer l'embout usé du piston principal et le remplacer par un embout neuf.

2. ASSEMBLAGE

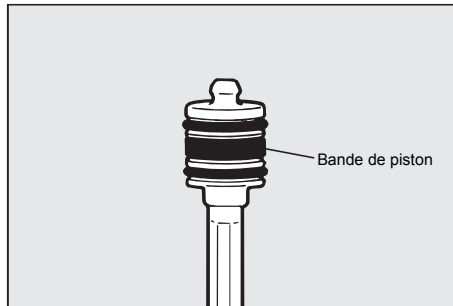


ATTENTION

- Lors de l'assemblage, utiliser uniquement l'huile et la graisse spécifiées.

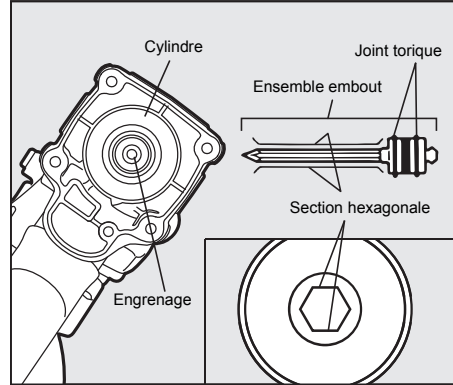


- ⑥ À l'aide de la goupille droite, fixer le nouvel embout, le piston principal et le capuchon de piston assemblés à l'étape ⑤ dans l'ordre inverse de l'étape ④.



ATTENTION

- Vérifier que la goupille droite a été correctement insérée.
- ⑦ Monter la bande de piston dans la gorge centrale de l'ensemble embout.



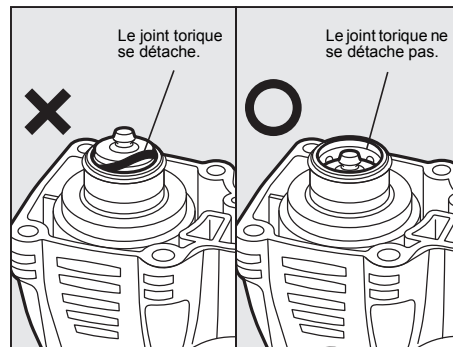
ATTENTION

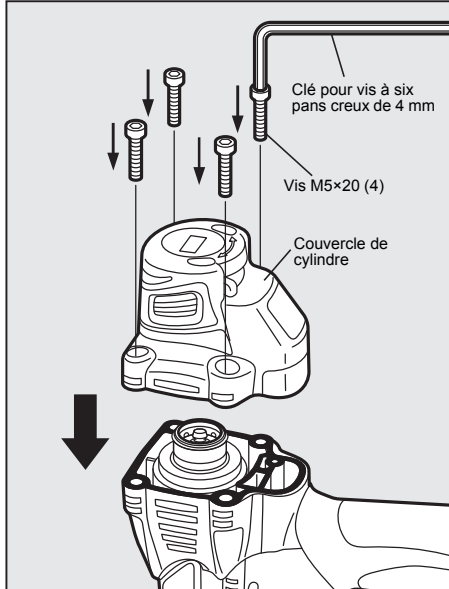
- Vérifier que le joint torique ne se détache pas de l'ensemble embout.

- ⑧ Aligner la section hexagonale de l'embout sur celle de l'engrenage et insérer l'ensemble embout dans le cylindre.

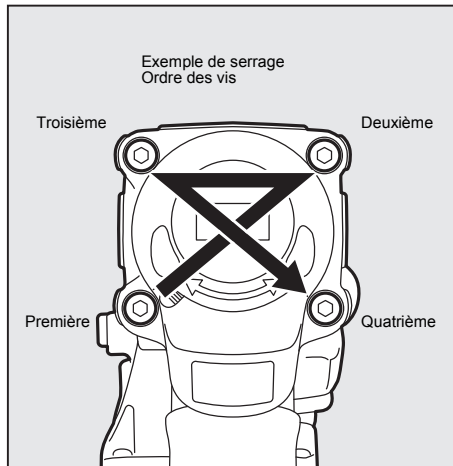
REMARQUE :

- Veiller ensuite à appliquer au moins 10 gouttes d'huile dans le cylindre.





- ⑨ Monter un joint de couvercle de cylindre sur la partie supérieure du corps.
- ⑩ Placer le couvercle de cylindre sur le joint du couvercle de cylindre.
- ⑪ Tout en tenant le couvercle de cylindre, serrer les quatre vis (M5x20) à l'aide de la clé pour vis à six pans creux de 4 mm.



AVERTISSEMENT

- Vérifier que le couvercle du cylindre est correctement et uniformément serré sur le corps au moyen des quatre vis (M5x20) au couple de serrage spécifié.

REMARQUE :

- Serrer uniformément les vis selon des diagonales. Le couple de serrage spécifié doit être compris entre 100 et 120 kgf-cm (86,8 à 104,2 in lb).

8. ENTRETIEN POUR OBTENIR LES MEILLEURES PERFORMANCES

- ① NE PAS DÉCLENCHER LE CLOUEUR QUAND IL EST VIDE
- ② UTILISER UNE HUILE RECOMMANDÉE
L'huile de turbine fluide doit être utilisée pour lubrifier la cloeuse. Après la fin des opérations, placer 10 gouttes d'huile dans l'entrée d'air de graisseur à jet. (Huile recommandée : ISO VG32)
- ③ VÉRIFIER ET ENTRETENIR L'OUTIL TOUS LES JOURS OU AVANT CHAQUE UTILISATION



AVERTISSEMENT

Couper l'alimentation en air comprimé et vider le magasin avant toute vérification ou opération d'entretien de l'outil.

- (1) Vider le compresseur d'air
- (2) Bien serrer toutes les vis
- (3) Faire en sorte que le bras de contact garde sa liberté de mouvement

9. EMMAGASINAGE

- ① Si l'outil doit rester inutilisé pendant un certain temps, appliquer une mince couche de lubrifiant sur les pièces en acier pour éviter l'apparition de rouille.
- ② Ne pas entreposer l'outil dans un endroit exposé au froid. Le conserver dans un endroit chaud.
- ③ Si l'outil reste inutilisé, il faut le conserver dans un endroit chaud et sec. Le mettre hors de portée des enfants.
- ④ Même les outils de qualité ont éventuellement besoin de réparations ou d'un remplacement de pièces en raison de l'usure normale.

10. RÉPARATION

Le dépannage et/ou les réparations ne doivent être réalisés que par des distributeurs autorisés de la société MAX CO., LTD. ou tout autre spécialiste.



Supplément au mode d'emploi

Selon la norme européenne EN 792-13, le règlement suivant, valable à partir du 1.1.2001, indique que toutes les machines à enfoncer les fixations équipées de commande par contact doivent être marquées avec le symbole « Ne pas utiliser sur des échafaudages ou échelles » et elles ne seront pas utilisées pour des applications spécifiques telles que les suivantes :

- * en cours de déplacement d'un lieu d'enfoncement à l'autre sur des échafaudages, escaliers, échelles ou constructions du même type que les échelles comme p.e. lattis du toit
- * pour fermer des boîtes ou des caisses
- * pour fixer des systèmes d'arrimage p.e. sur véhicules ou wagons.

ITALIANO

MANUALE DI FUNZIONAMENTO E MANUTENZIONE

INDICE

1. DESCRIZIONE DEI COMPONENTI.....	45
2. AVVERTENZE GENERALI PER LA SICUREZZA	46
3. AVVERTENZA DI SICUREZZA	46
4. CARATTERISTICHE TECNICHE E ACCESSORI.....	49
5. ALIMENTAZIONE E COLLEGAMENTO DELL'ARIA COMPRESSA.....	49
6. ISTRUZIONI PER L'USO	50
7. SOSTITUZIONE DELLA PUNTA.....	56
8. MANTENIMENTO IN PERFETTA EFFICIENZA.....	58
9. IMMAGAZZINAGGIO.....	58
10. DIAGNOSTICA.....	58

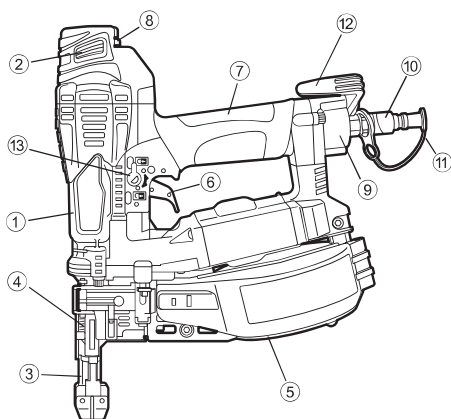


PRIMA DI USARE QUESTO ATTREZZO, STUDIARE IL MANUALE PER PRENDERE ATTO DELLE AVVERTENZE E DELLE ISTRUZIONI PER LA SICUREZZA.

TENERE QUESTE ISTRUZIONI INSIEME ALL'ATTREZZO PER CONSULTAZIONI FUTURE.

ATTENZIONE

1. DESCRIZIONE DEI COMPONENTI



- ① Alloggiamento
- ② Coperchio cilindro
- ③ Braccio di contatto
- ④ Sportello
- ⑤ Caricatore
- ⑥ Grilletto
- ⑦ Impugnatura
- ⑧ Leva di commutazione
- ⑨ Regolatore
- ⑩ Presa aria
- ⑪ Capot de prise d'extrémité
- ⑫ Gancio
- ⑬ Sicura grilletto

2. AVVERTENZE GENERALI PER LA SICUREZZA



ATTENZIONE

PER EVITARE GRAVI LESIONI PERSONALI O DANNI MATERIALI

PRIMA DI USARE L'ATTREZZO, LEGGERE ATTENTAMENTE E CAPIRE LE SEGUENTI "ISTRUZIONI PER LA SICUREZZA". L'INOSSERVANZA DELLE SEGUENTI PRECAUZIONI PUÒ ESSERE CAUSA DI MORTE O DI GRAVI LESIONI PERSONALI.



1. PORTATE DELLE OCCHIALI PROTETTIVI DI LAVORO O DI SICUREZZA

Un pericolo agli occhi è sempre presente a causa della polvere emessa nell'aria o dall'espulsione di chiodi in seguito ad una manipolazione sbagliata dell'attrezzo. In questo caso, è necessario portare sempre degli occhiali protettivi di lavoro o di sicurezza quando si utilizza l'attrezzo.

Il datore di lavoro e/o l'utente devono assicurare una protezione adeguata degli occhi degli operatori dell'attrezzo. L'attrezzatura di protezione degli occhi deve rispondere alle prescrizioni dell'American National Standards Institute, Norma ANSI Z87.1 (Direttiva del Consiglio 89/686/CEE del 21 dicembre 1989) ed assicurare una protezione frontale e laterale del viso dell'operatore. Il datore di lavoro è responsabile per imporre l'impiego dell'attrezzatura di protezione degli occhi da parte dell'operatore dell'attrezzo e da parte di tutti gli altri membri del personale nell'area di lavoro.

AVVISO: gli occhiali senza protezione laterale e frontale non assicurano una protezione corretta.



2. LA PROTEZIONE PER L'UDITO E' D'OBBLIGO IN CERTI AMBIENTI

Siccome le condizioni di lavoro possono includere l'esposizione a elevati livelli di rumore che possono portare danni all'udito, il datore di lavoro e l'utente dovrebbero assicurarsi che ogni protezione necessaria per l'udito sia fornita e usata dall'operatore e dagli altri nell'area di lavoro.



3. TENERE MANI E CORPO LONTANI DALL'USCITA DI DEL MATERIALE DI FISSAGGIO

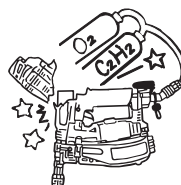
Durante il caricamento e l'uso dell'apparecchio, non mettere mai le mani o parti del corpo nella zona di scarico dello strumento. È molto pericoloso colpire le mani o il corpo per errore.



4. NON UTILIZZARE SU IMPALCATURE E SCALE A PIOLI

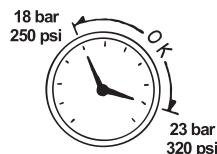
Non utilizzare su impalcature e scale a pioli quando si impiegano attrezzi di chiodatura del tipo ad azionamento a contatto o ad azionamento a contatto continuo.

3. AVVERTENZA DI SICUREZZA



1. QUANDO SI USA L'ATTREZZO, UTILIZZARE UN COMPRESSORE E UN TUBO FLESSIBILE DELL'ARIA SPECIALI

Per migliorarne le prestazioni, la sua pressione di esercizio è stata regolata ad un valore superiore a quello delle chiodatrici tradizionali. Per l'uso dell'attrezzo, sono sempre necessari il compressore e il tubo flessibile dell'aria speciali. L'impiego di gas combustibile in pressione (ad esempio ossigeno, acetilene, ecc.) provoca fenomeni di combustione anomala che possono causare esplosioni. Utilizzare esclusivamente il compressore e il tubo flessibile dell'aria speciali.



2. LAVORARE ENTRO L'ADATTA PORTATA DI PRESSIONE DELL'ARIA

L'attrezzo è progettato per operare con una pressione dell'aria che va da 18 a 23 bar (250 a 320 p.s.i.). La pressione dovrebbe essere sistemata a seconda del tipo di lavoro che deve essere inchiodato. Lo strumento non dovrebbe mai funzionare quando la pressione di funzionamento supera 23 bar (320 p.s.i.).



3. NON UTILIZZARE LO STRUMENTO VICINO A UNA SOSTANZA INFIAMMABILE

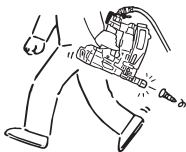
Non utilizzare mai lo strumento vicino a una sostanza infiammabile (ad es. diluente, benzina, ecc.). Le esalazioni volatili che provengono da queste sostanze potrebbero essere risucchiate nella macchina e successivamente compressa insieme all'aria questo potrebbe causare una esplosione.

4. NON UTILIZZATE MAI L'ATTREZZO IN UN AMBIENTE ESPLOSIVO

Le scintille dell'attrezzo possono mettere a fuoco i gas atmosferici, la polvere o altri materiali combustibili.

5. NON UTILIZZARE ACCESSORI NON ADATTI

Il connettore sull'apparecchio non deve trattenere la pressione quando il rifornimento dell'aria è disinserito. Se vengono usati accessori non adatti, l'apparecchio può rimanere carico di aria dopo essere stato disinserito e ciò potrà provocare lo sparo di un chiodo o simile anche dopo che l'aria è stata disinserita: ciò può provocare danni.



6. QUANDO L'UTENSILE NON VIENE UTILIZZATO, INTERROMPERE L'ALIMENTAZIONE DELL'ARIA COMPRESA E VUOTARE IL CARICATORE

Disinserire sempre lo strumento dalla presa d'aria e svuotare il tamburo quando le operazioni di lavoro sono terminate o sospese, quando l'attrezzo è lasciato incustodito, durante il suo trasporto in altre aree, durante le operazioni di assemblaggio, riparazione e smontaggio, quando si pulisce lo strumento otturato.



7. CONTROLLARE LA TENUTA DELLE VITI

Viti o bulloni allentati o installati non correttamente sono causa di incidenti e danni all'apparecchio quando viene messo in funzione. Controllare per assicurarsi che tutte le viti e i bulloni siano stretti e installati in modo corretto prima di utilizzare l'apparecchio.



8. NON TOCCARE IL GRILLETTO A MENO CHE VOI INTENDIATE PIANTARE UN CHIODO

Ogni qualvolta che il rifornimento dell'aria è collegato all'apparecchio, non toccare mai il grilletto mano che voi intendiate piantare un chiodo nel lavoro. E' pericoloso spostarsi da un posto all'altro portando l'apparecchio con il grilletto tirato: questa e altre azioni simili dovrebbero essere evitate.

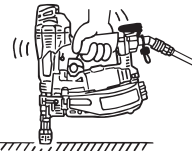


9. NON PUNTARE IN DIREZIONE DI UNA PERSONA O DI SE STESSI LA CANNA DELLO STRUMENTO

Se la canna è puntata in direzione di persone, si possono verificare gravi incidenti, nel caso vi sia una detonazione. Assicurarsi che la canna di scarico non sia puntata in direzione di persone quando si apre o si chiude la canna stessa, nell'inserimento o disinserimento della sicura e durante altre simili operazioni.

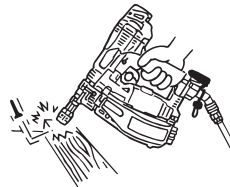
10. USARE CHIODI DEL TIPO PRESCRITTO (VEDERE PAGINA 49)

L'uso di chiodi o punti diversi da quelli indicati causerà il cattivo funzionamento dell'apparecchio. Assicuratevi di usare solo chiodi o punti consigliati quando utilizzate lo strumento.



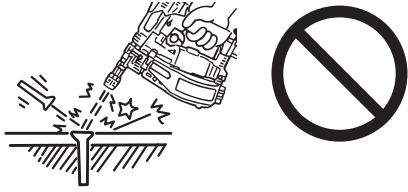
11. COLLOCARE L'USCITA DI SCARICO SULL'AREA DI LAVORO

Se non viene collocato l'uscita di scarico del naso in modo appropriato, il fermaglio rischia di staccarsi violentemente causando un pericolo per l'operatore.



12. NON INFILARE CHIODI, O SIMILI, VICINI AL BORDO DEL LAVORO O SU MATERIALI DI SPESSORE SOTTILE

E' possibile che il pezzo da lavorare si spacchi e che il chiodo, o simile, possa essere sparato in aria e colpire qualcuno. Fate attenzione quando lavorate su materiali sottili o vicino ai bordi e sugli angoli del vostro lavoro.



- 13. NON INFILARE CHIODI SOPRA AD ALTRI CHIODI**
 Infilare chiodi sopra ad altri chiodi può causare la deviazione del chiodo stesso che, a sua volta, può causare danni.
- 14. TOGLIERE CHIODI DOPO AVER TERMINATO L'UTILIZZO**
 Se, dopo aver terminato di utilizzare la macchina, nel caricatore rimangono alcuni chiodi, esiste il pericolo che incidenti seri possano avvenire prima della ripresa del lavoro, nel caso in cui l'apparecchio venga maneggiato senza cura o quando si inserisce l'accessorio per l'aria. Per questa ragione, togliere sempre tutti i chiodi rimasti nel caricatore una volta terminato l'utilizzo dell'apparecchio.
- 15. CONTROLLARE FREQUENTEMENTE IL FUNZIONAMENTO DEL MECCANISMO DELLA SICURA NEL CASO SI UTILIZZI UN ATTREZZO CON SICURA PER CONTATTO (CONTACT TRIP)**
 Non usare lo strumento se lo scatto non funziona correttamente in quanto potrebbe accadere che un chiodo parta accidentalmente. Non interferire con il funzionamento corretto del meccanismo della sicura.



- 16. UTILIZZO DELL'APPARECCHIO ALL'ESTERNO O IN UN POSTO SOPRAELEVATO**
 Quando si utilizza lo strumento sui tetti o su superfici inclinate, iniziare a lavorare dalla parte più bassa e gradualmente andare verso l'alto. Lavorare camminando all'indietro è pericoloso in quanto potreste perdere il piano d'appoggio.
 Assicurate il tubo con un cavallotto nell'area dove avete intenzione di lavorare. Gli incidenti possono essere causati dal fatto che il tubo possa essere tirato inavvertitamente o che possa impigliare.
- 17. NON USARE MAI L'UTENSILE SE UNA PARTE QUALUNQUE DI CONTROLLO DELL'UTENSILE (PER ESEMPIO BRACCIO DI CONTATTO DI SCATTO) RIMANE INOPERABILE, SCOLLEGATA. CAMBIATA O NON FUNZIONA CORRETTAMENTE**
- 18. AZIONARE L'UTENSILE ESCLUSIVAMENTE QUANDO SI TROVA SUL PEZZO, IN QUANTO I CHIODI SPARATI IN ARIA SI RIVELEREBBERO PERICOLOSI E L'UTENSILE SAREBBE SOTTOPOSTO AD UNA SOLLECITAZIONE ECCESSIVA**
 In tal modo si evitano i rischi causati da chiodi sparati in aria e da sollecitazioni eccessive sull'attrezzo.
- 19. ASSICURARSI SEMPRE CHE LO STRUMENTO ABBA LA SICURA**

- 20. CONSIDERARE LO STRUMENTO UN UTENSILE PER IL LAVORO**
- 21. NON UTILIZZARE PER IL GIOCO**
- 22. NON INSERIRE LA SICURA QUANDO UNA DELLE COMPONENTI È IN FUNZIONE**
- 23. QUANDO LA MACCHINA O LE SUE PARTI SONO MESSE AL RIFIUTO, SEGUITE I REGOLAMENTI NAZIONALI RELATIVI**

OSSERVARE LE SEGUENTI AVVERTENZE GENERALI IN AGGIUNTA AGLI ALTRI AVVERTIMENTI CONTENUTI IN QUESTO MANUALE

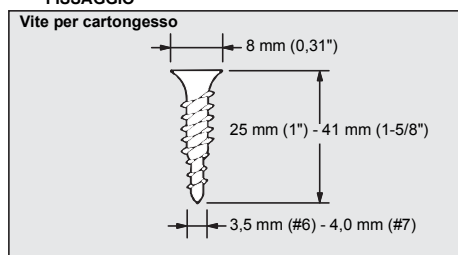
- Non usare l'apparecchio come un martello.
- Afferrare sempre l'attrezzo dall'impugnatura, e non trasportare mai l'attrezzo tenendolo dal tubo dell'aria.
- L'apparecchio deve essere usato solo per lo scopo con cui è stato progettato.
- Non eliminare o modificare le componenti dello strumento (ad esempio: il grilletto, l'impugnatura, ecc).
- Tenere l'apparecchio in posti asciutti, fuori dalla portata dei bambini, quando non è in uso.
- Non usare l'apparecchio senza l'etichetta "Avvertenze per la Sicurezza".
- Non modificare l'apparecchio dal suo progetto o dalla sua funzione originale senza il consenso della MAX CO.,LTD.

4. CARATTERISTICHE TECNICHE E ACCESSORI

1. CARATTERISTICHE TECNICHE DELL'UTENSILE

ALTEZZA	312 mm (12-1/4")
LARGHEZZA	116 mm (1-1/2")
LUNGHEZZA	300 mm (11-3/4")
PESO	1,9 kg (4,2 lbs.)
PRESSIONE DI ESERCIZIO CONSIGLIATA	18 - 23 bar (250 - 320 p.s.i.)
CARICAMENTO	100 Viti
FABBISOGNO ARIA COMPRESSA	1,9 l alla pressione di esercizio di 23,0 bar (334 p.s.i.)
ACCESSORI	Chiave a barra esagonale, lubrificatore a getto, occhiali di protezione, estremità superiore contatto L

2. CARATTERISTICHE TECNICHE DEL MATERIALE DI FISSAGGIO



PRESSIONE DI ESERCIZIO CONSIGLIATA:

18 - 23 bar (250 - 320 p.s.i.). Affinchè il rendimento della sparapunti sia ottimale, regolare la pressione dell'aria impostando un valore compreso all'interno della suddetta gamma. **LA PRESSIONE DI ESERCIZIO NON DEVE ESSERE SUPERIORE A 23 BAR (320 p.s.i.).**

3. CARATTERISTICHE TECNICHE

① LIVELLO DI RUMOROSITA'

Livello di potenza impulso sonoro A
----- LWA, 1 s, d 95,59 dB
Livello di pressione impulso sonoro A
----- LpA, 1 s, d 93,92 dB

sul luogo di lavoro. Tale valore viene determinato e documentato in conformità alla norma EN12549: 1999.

② VIBRAZIONI

Indice di vibrazione = 2,45 m/s²

Questi valori sono determinati e documentati in conformità alla norma ISO 8662-11.

Questo valore è un valore di caratteristica associata all'utensile e non rappresenta l'influenza al sistema manobraccio, quando l'utensile viene usato. Sul sistema manobraccio durante l'uso dell'utensile può influire, per esempio, la forza di afferraggio, la forza della pressione di contatto, la direzione di funzionamento, la regolazione dell'alimentazione, il pezzo lavorato, e il supporto del pezzo lavorato.

4. CAMPI DI APPLICAZIONE

* Fissaggio di cartongesso, pannelli decorativi e a altri pannelli interni.

5. ALIMENTAZIONE E COLLEGAMENTO DELL'ARIA COMPRESSA



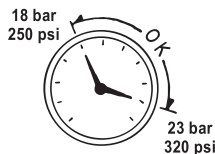
ATTENZIONE

Leggere il paragrafo "NORME DI SICUREZZA"



NON USARE NESSUNA FONTE DI ENERGIA DIVERSA DA UN COMPRESSORE AD ARIA

Lo strumento è destinato a operare con aria compressa. Non far funzionare l'attrezzo con nessun altro gas combustibile (ad es. ossigeno, acetilene, ecc.) poiché esiste il pericolo di un'esplosione. Per questa ragione, non usare assolutamente nient'altro all'infuori di un compressore ad aria per far funzionare lo strumento.



LAVORARE ENTRO L'ADATTA PORTATA DI PRESSIONE DELL'ARIA

L'attrezzo è progettato per operare con una pressione dell'aria che va da 18 a 23 bar (250 a 320 p.s.i.).

La pressione dovrebbe essere sistemata a seconda del tipo di lavoro che deve essere inchiodato. Lo strumento non dovrebbe mai funzionare quando la pressione di funzionamento supera 23 bar (320 p.s.i.).

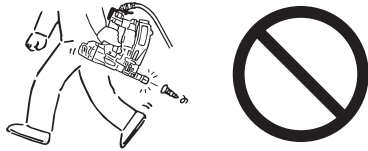


NON UTILIZZARE LO STRUMENTO VICINO A UNA SOSTANZA INFIAMMABILE

Non utilizzare mai lo strumento vicino a una sostanza infiammabile (ad es. diluente, benzina, ecc.). Le esalazioni volatili che provengono da queste sostanze potrebbero essere risucchiate nella macchina e successivamente compressa insieme all'aria questo potrebbe causare una esplosione.

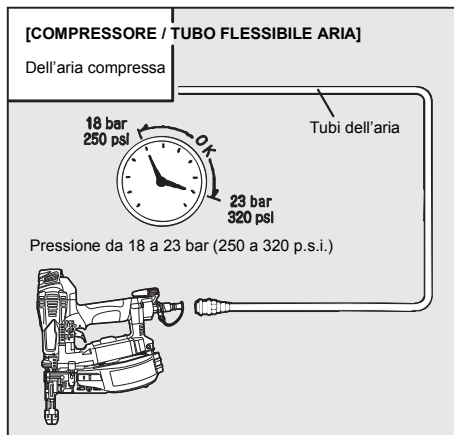
NON UTILIZZARE ACCESSORI NON ADATTI

Il connettore sull'apparecchio non deve trattenerne la pressione quando il rifornimento dell'aria è disinserito. Se vengono usati accessori non adatti, l'apparecchio può rimanere carico di aria dopo essere stato disinserito e ciò potrà provocare lo sparo di un chiodo o simile anche dopo che l'aria è stata disinserita: ciò può provocare danni.



QUANDO L'UTENSILE NON VIENE UTILIZZATO, INTERROMPERE L'ALIMENTAZIONE DELL'ARIA COMPRESSA E VUOTARE IL CARICATORE

Disinserire sempre lo strumento dalla presa d'aria e svuotare il tamburo quando le operazioni di lavoro sono terminate o sospese, quando l'attrezzo è lasciato incustodito, durante il suo trasporto in altre aree, durante le operazioni di assemblaggio, riparazione e smontaggio, quando si pulisce lo strumento otturato.



QUANDO SI USA L'ATTREZZO, UTILIZZARE UN COMPRESSORE E UN TUBO FLESSIBILE DELL'ARIA SPECIALI.

Per migliorarne le prestazioni, la sua pressione di esercizio è stata regolata ad un valore superiore a quello delle chiodatrici tradizionali. Per l'uso dell'attrezzo, sono sempre necessari il compressore e il tubo flessibile dell'aria speciali (compressore MAX PowerLite e tubo flessibile MAX PowerLite). L'impiego di gas ad alta pressione (ad esempio ossigeno, acetilene, ecc.) provoca fenomeni di combustione anomala che possono causare esplosioni. Utilizzare esclusivamente il compressore e il tubo flessibile dell'aria speciali.

AVVISO:

Una lubrificazione frequente, ma non eccessiva, è richiesta per ottenere ottime prestazioni. L'aggiunta di olio attraverso il collegamento dell'aria lubrificerà le parti interne.

6. ISTRUZIONI PER L'USO

Leggere il paragrafo "NORME DI SICUREZZA"

1. OPERAZIONI PRELIMINARI:

- ① Indossare occhiali di protezione.
- ② Non azionare ancora l'alimentazione dell'aria compressa.
- ③ Verificare il serraggio delle viti.
- ④ Verificare che il braccio di contatto e il grilletto funzionino correttamente.
- ⑤ Azionare l'alimentazione dell'aria compressa.
- ⑥ Verificare l'eventuale presenza di perdite di aria dall'utensile. (L'aria non deve fuoriuscire dall'utensile)
- ⑦ Impugnare l'utensile (non appoggiare le dita sul grilletto) e premere il braccio di contatto contro il pezzo. (L'attrezzo non deve azionarsi.)
- ⑧ Tenere l'utensile in modo tale che il braccio di contatto non tocchi il pezzo e premere il grilletto. (L'utensile non deve azionarsi.)
- ⑨ Scollegare il tubo di alimentazione dell'aria compressa.



ATTENZIONE



2. OPERAZIONE

Indossare occhiali di protezione

Un pericolo agli occhi è sempre presente a causa della polvere emessa nell'aria o dall'espulsione di chiodi in seguito ad una manipolazione sbagliata dell'attrezzo. In questo caso, è necessario portare sempre degli occhiali protettivi di lavoro o di sicurezza quando si utilizza l'attrezzo.

Il datore di lavoro e/o l'utente devono assicurare una protezione adeguata degli occhi degli operatori dell'attrezzo. L'attrezzatura di protezione degli occhi deve rispondere alle prescrizioni dell'American National Standards Institute, Norma ANSI Z87.1 (Direttiva del Consiglio 89/686/CEE del 21 dicembre 1989) ed assicurare una protezione frontale e laterale del viso dell'operatore.

Il datore di lavoro è responsabile per imporre l'impiego dell'attrezzatura di protezione degli occhi da parte dell'operatore dell'attrezzo e da parte di tutti gli altri membri del personale nell'area di lavoro.

AVVISO:

gli occhiali senza protezione laterale e frontale non assicurano una protezione corretta.

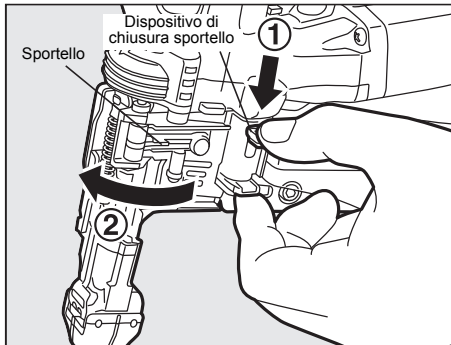


ATTENZIONE

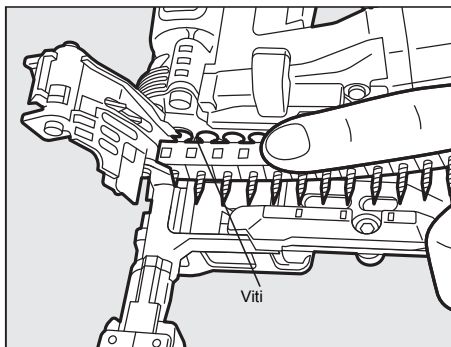


Durante l'applicazione di punti/chiodi, non avvicinare le mani o altre parti del corpo all'orificio di espulsione, al fine di evitare il rischio di possibili lesioni.

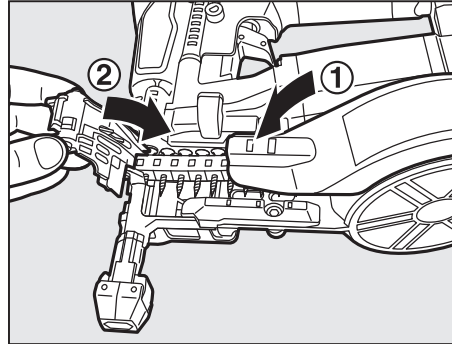
CARICAMENTO DELLE VITI



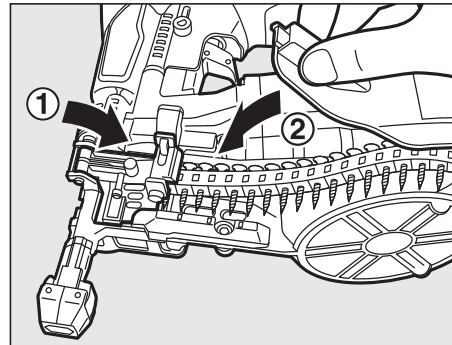
- ① Aprire il caricatore, abbassare il dispositivo di chiusura ed aprire lo sportello. Aprire il coperchio del caricatore.



- ② Caricamento delle viti. Inserire una bobina di viti nel caricatore. Liberare un numero di viti sufficiente a raggiungere il nottolino di alimentazione e inserire la seconda vite sul nottolino di alimentazione. Le teste delle viti si inseriscono nella scanalatura sull'estremità.



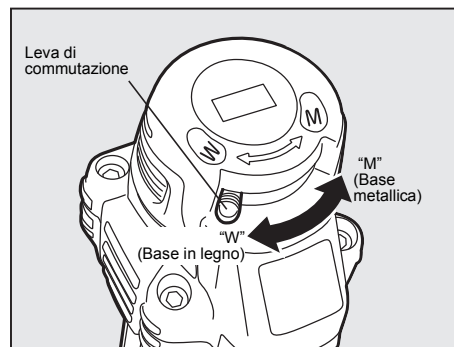
- ③ Chiudere il coperchio del caricatore.
④ Chiudere lo sportello. Verificare il corretto aggancio del dispositivo di chiusura. (Se non si aggancia, controllare che le teste delle viti siano inserite nella scanalatura sull'estremità.)



* È anche possibile chiudere per primo lo sportello e quindi il coperchio del caricatore.

PROVA DI FUNZIONAMENTO

- ① Regolare la pressione dell'aria su 18 bar (250 p.s.i.) e azionare l'alimentazione dell'aria compressa.
② Senza azionare il grilletto, premere il braccio di contatto contro il pezzo. Tirare il grilletto. (L'utensile deve sparare il chiodo).
③ Regolare la pressione dell'aria al livello minimo possibile, secondo i diametri e la lunghezza del chiodo e la durezza del pezzo da lavorare.



LEVA DI COMMUTAZIONE

Questo attrezzo è dotato di leva di commutazione, che consente l'avvitamento ottimale (inserimento, velocità) a seconda del materiale sul quale deve essere eseguito il fissaggio.

AVVISO:

- è consigliabile selezionare la leva di commutazione su una posizione adatta alla condizione del materiale sul quale si lavora.

POSIZIONI DELLA LEVA DI COMMUTAZIONE

Posizione leva	Condizione del materiale da fissare	
	Materiale base	Materiale superficiale
"W" (base in legno)	Legno	Cartongesso (da 9,5 a 15 mm di spessore), 1 o 2 pezzi
"M" (base metallica)	Metallo (spessore inferiore a 0,8 mm)	Cartongesso (da 9,5 a 15 mm di spessore), 1 o 2 pezzi

Materiale base	Numero di pannelli	Posizione leva	
		"W"	"M"
Legno	1 pz.	*1	*2
	2 pz.	*1	*2
Metallo	1 pz.	*2	*1
	2 pz.	*3	*1

- *1 : ottimale
- *2 : eseguibile
- *3 : Non eseguibile

AVVISO:

- Nel caso del materiale base metallica e dei due pezzi di cartongesso, non è possibile eseguire il fissaggio con la leva di commutazione in posizione "W".
- La leva di commutazione deve essere azionata adeguatamente e inserita nella posizione "W" o "M" fino a quando non si avverte lo scatto di conferma.

IDENTIFICAZIONE DEI MODELLI

DISPOSITIVO DI AZIONAMENTO A CONTATTO

Il metodo di funzionamento comune sugli attrezzi a "Scatto per contatto" permette all'operatore di entrare in contatto con il pezzo di lavoro per attivare lo scatto mentre viene mantenuto tirato, ciò permette di inserire un chiodo ogni volta che il pezzo di lavoro entra in contatto. Una inchiodatura rapida su molte parti di lavoro viene assicurata, come nel caso di messa in guaina, assemblaggio di pavimento e palette.

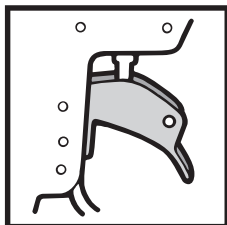
Tutti gli attrezzi pneumatici sono inclini ad un rimbalzo quando si installano i chiodi.

L'attrezzo potrebbe rimbalzare, rilasciando il pulsante, ed in caso di nuovo contatto con la superficie da lavorare con il grilletto ancora azionato (dito dell'operatore sempre premuto sul grilletto) potrebbe venire piantato un secondo chiodo.

MODELLO DI SCATTO PER CONTATTO CON MECCANISMO DI SCATTO ANTI-DOPPIO

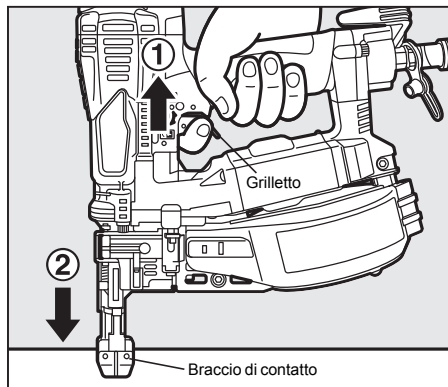
(Brevetto 5597106 USA, Brevetto GB 2286790)

Identificato dal GRILLETTO ROSSO.



OPERAZIONE DI SCATTO PER CONTATTO (DISPOSITIVO DI AZIONAMENTO A CONTATTO)

Per l'operazione di scatto per contatto, tenere premuto il grilletto e premere il braccio di contatto contro la superficie di lavoro.

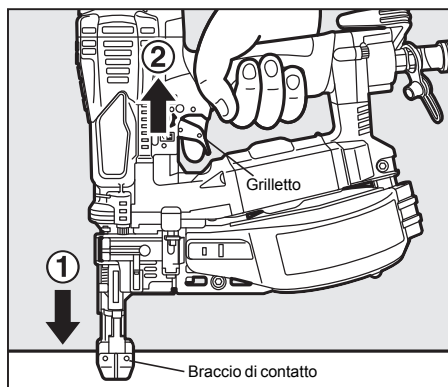


METODO

- ① Tenere lo scatto.
- ② Premere il braccio di contatto.

FUNZIONAMENTO A SCATTO SEMPLICE (MECCANISMO DI SCATTO ANTI-DOPPIO)

Per l'operazione di scatto semplice, premere il braccio di contatto contro la superficie del pezzo di lavoro, poi tirare lo scatto. L'attrezzo non può scattare un secondo chiodo fino a che lo scatto sia liberato e l'attrezzo può fare un ciclo.



METODO

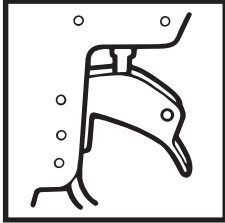
- ① Premere il braccio di contatto.
- ② Tirare lo scatto.

SCATTO SEQUENZIALE (kit opzionale)

Con lo scatto sequenziale, l'operatore deve tenere l'attrezzo contro il pezzo prima di tirare il grilletto. Questo facilita una inchiodatura precisa, ad esempio nel caso di incorniciatura, di inchiodatura di pavimento e di assemblaggio delle casse. Lo scatto sequenziale consente di applicare con precisione la vite, senza incorrere nel rischio di applicare una seconda vite al momento del contraccolpo, come descritto nella sezione relativa al meccanismo di scatto per contatto.

L'attrezzo a scatto sequenziale offre un vantaggio in termini di sicurezza perché evita il piantaggio accidentale dei chiodi in caso di contatto dell'attrezzo con il pezzo o qualsiasi altro oggetto, mentre l'operatore tiene premuto il grilletto.

SCATTO SEQUENZIALE
Identificato dal **GRILLETTO ARANCIONE**.



ESTREMITÀ SUPERIORE CONTATTO



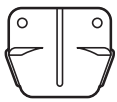

ATTENZIONE

- Quando si sostituisce l'estremità superiore del contatto, assicurarsi di bloccare il grilletto e di scollegare il tubo flessibile dell'aria.



AVVERTENZA

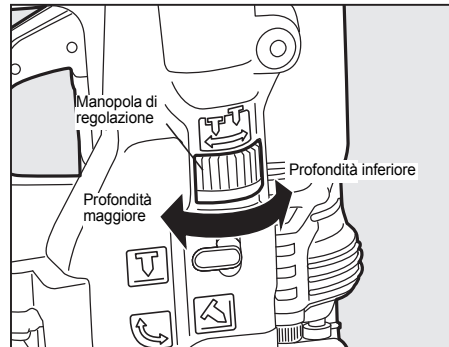
- Utilizzare l'estremità superiore di contatto L nel caso in cui la vite non garantisca un adeguato serraggio (ad esempio per il fissaggio di pannelli in cartongesso su acciaio sottile o su materiali con base in legno tenero, ecc.).
- * L'estremità superiore di contatto L limita la profondità di inserimento, garantisce una maggiore stabilità limitando gli effetti sul materiale base e riduce le possibilità di allentamento delle viti.

Estremità superiore contatto (arancione) Estremità superiore contatto standard	Estremità superiore contatto L (trasparente) Estremità superiore contatto integrata
	

L'estremità superiore contatto L è 3 mm più lunga di quella standard e riduce la profondità di inserimento sui materiali base.

- Se non si notano miglioramenti neanche con l'uso dell'estremità superiore contatto L, impostare la LEVA DI COMMUTAZIONE SU "W" (base in legno).

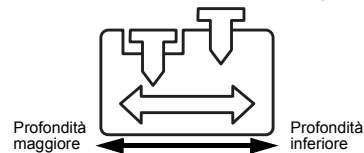
MANOPOLA DI REGOLAZIONE PROFONDITÀ DI INSERIMENTO



ATTENZIONE

- Scollegare **SEMPRE** l'alimentazione dell'aria prima di regolare la manopola.

- ① Dopo avere regolato la pressione dell'aria, applicare un paio di chiodi su un pezzo campione composto dallo stesso materiale che verrà utilizzato in seguito, per verificare se è necessario regolare la profondità del chiodo.
- ② Nel caso fosse necessaria una regolazione, interrompere l'alimentazione dell'aria compressa.
- ③ Fare riferimento al segno sul distanziatore di messa a punto per la direzione di rotazione del quadrante di messa a punto.
- ④ Attivare di nuovo l'alimentazione dell'aria compressa.



MODALITÀ D'USO DEL DISPOSITIVO DI REGISTRO AD IMPULSO SINGOLO

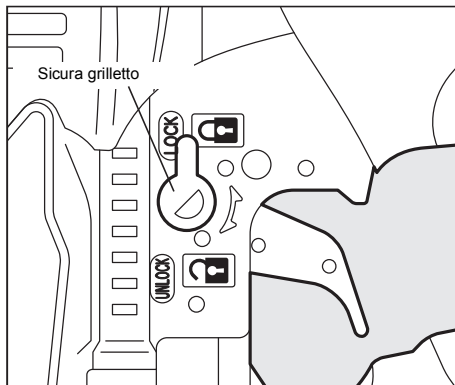


ATTENZIONE

- **Scollegare SEMPRE l'alimentazione dell'aria prima di usare il dispositivo di registro ad impulso singolo.** Quando è indispensabile inserire una vite su un piano inclinato, ad esempio su un angolo, questo attrezzo con il funzionamento ad impulso singolo può incassare la vite al di sotto della superficie del pannello.

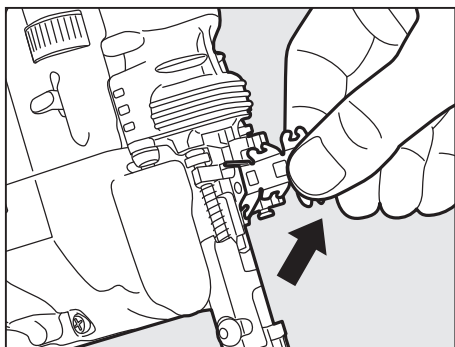
	Posizione elemento di registro	Vite	Applicazione
Inserimento in piano		<p>Se la vite viene inserita in posizione inclinata, la sua testa sporrà dal pannello.</p>	<p>Utilizzarla per l'inserimento in piano</p>
Inserimento inclinato		<p>Se si seleziona l'inserimento inclinato, la testa della vite rimane incassata rispetto alla superficie del pannello.</p>	<p>Utilizzarla per l'inserimento inclinato</p>

ILLUSTRAZIONE DEL DISPOSITIVO DI BLOCCAGGIO DEL GRILLETTO



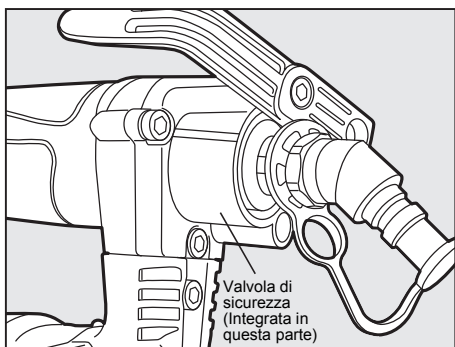
L'utensile e' munito di un dispositivo di bloccaggio del grilletto. Prima di inserire le viti, premere e ruotare la SICURA del grilletto in posizione di SBLOCCAGGIO.

COME RIMUOVERE IL SUPPORTO IN PLASTICA



Man mano che si inseriscono le viti il relativo supporto in plastica fuoriesce dall'attrezzo. Quando fuoriesce un tratto sufficiente è possibile staccarlo tirandolo contro l'estremità di taglio della punta.

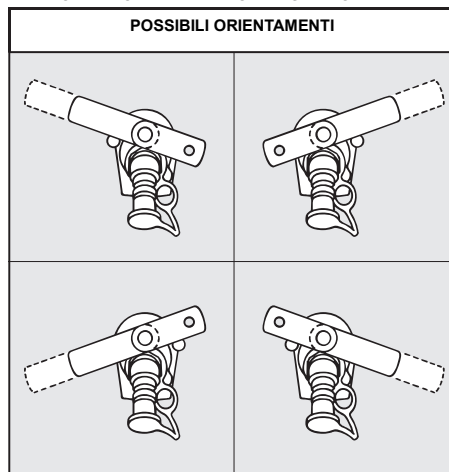
VALVOLA DI SICUREZZA



Questo attrezzo comprende una valvola limitatrice di alta pressione per limitare la pressione sul lato tubo flessibile PowerLine (18 - 23 bar (250 - 320 p.s.i.) ad un valore di circa 8 bar (120 p.s.i.).

In caso di anomalia della valvola limitatrice alta pressione con conseguente aumento della pressione all'interno dell'attrezzo, si attiva una valvola di sicurezza per scaricare la pressione accompagnata da un segnale acustico. Questo indica l'anomalia della valvola limitatrice alta pressione, interrompere quindi immediatamente l'uso dell'attrezzo, scollegare l'alimentazione dell'aria e far riparare l'attrezzo da un distributore autorizzato MAX Co., Ltd. o un altro tecnico specializzato. Si osservi che la valvola di sicurezza è inserita nella parte posteriore dell'attrezzo.

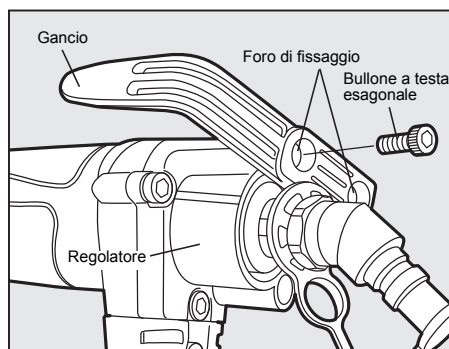
CAMBIO DELL'ORIENTAMENTO DEL GANCIO



ATTENZIONE

- **Scollegare SEMPRE l'alimentazione dell'aria prima di cambiare l'orientamento del gancio.**

Il gancio può essere orientato in quattro diverse direzioni ed è anche possibile regolarne la sporgenza tra due diverse posizioni per ciascun orientamento. In totale si ottengono otto diverse regolazioni.



Quando si modifica l'orientamento o la sporgenza del gancio, usare una chiave a barra esagonale 4 per allentare e rimuovere il bullone a testa esagonale di fissaggio del gancio. Dopo aver regolato la posizione del gancio, sostituire il bullone a testa esagonale e serrarlo.

7. SOSTITUZIONE DELLA PUNTA



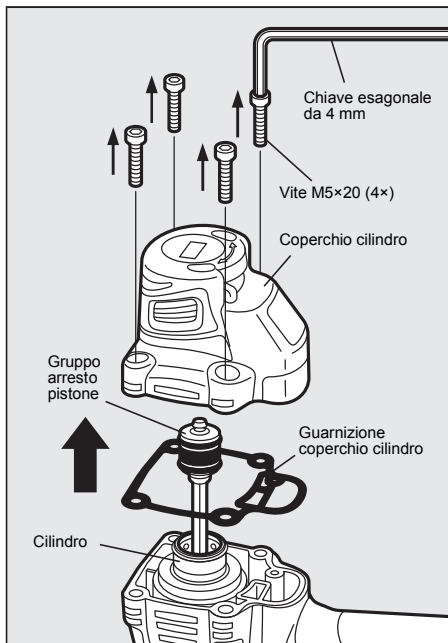
ATTENZIONE

- Scollegare **SEMPRE** l'alimentazione dell'aria prima di sostituire una punta.

AVVISO:

- 1 Durante la sostituzione della punta prestare attenzione per evitare l'ingresso nell'attrezzo di sabbia, polvere e altri corpi estranei.
L'ingresso di questi materiali può causare l'anomalia dell'attrezzo.
- 2 La punta è un componente soggetto ad usura; l'uso di una punta usurata compromette l'efficienza del lavoro e la qualità di fissaggio delle viti. Prima di iniziare il lavoro, esaminare la punta e se usurata, sostituirla.
- 3 Utilizzare la punta "TURBO DRIVER BIT B41X2" disponibile come elemento opzionale presso i concessionari autorizzati MAX Co., Ltd. o in altri centri specializzati.

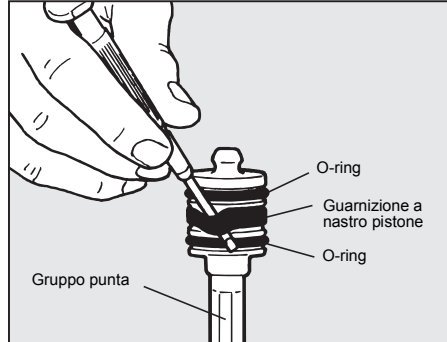
1. RIMOZIONE DELLA PUNTA



- 1 Togliere le viti M5x20 (4x) utilizzando la chiave esagonale da 4 mm fornita in dotazione.
- 2 Rimuovere il coperchio del cilindro. Una volta effettuata la rimozione del coperchio, si staccano anche il gruppo punta e la guarnizione del coperchio.
Estrarre il gruppo punta dal coperchio cilindro.

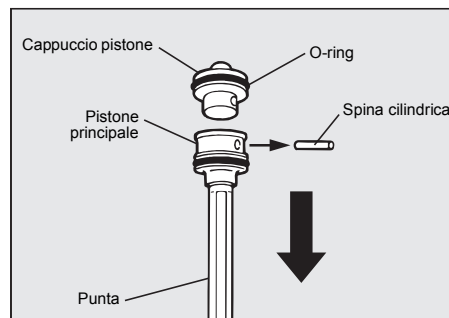
AVVISO:

- Se durante l'estrazione del gruppo punta dal coperchio cilindro, si stacca anche il gruppo arresto pistone, reinserirlo nel coperchio.
- Se il gruppo punta rimane all'interno del cilindro, capovolgere l'attrezzo per rimuoverlo.

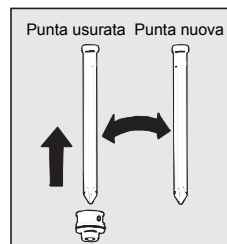


AVVERTENZA

- Estrarre la guarnizione a nastro del pistone prestando attenzione a non tagliarla o danneggiarla.
 - Gli O-ring (superiore e inferiore) sono essenziali per sigillare l'aria compressa. Maneggiarli il meno possibile.
- 3 Con un normale cacciavite di precisione o un chiodo sottile, sfilare la guarnizione a nastro del pistone dal gruppo punta.



- 4 Estrarre la spina cilindrica. Il pistone principale e la punta si staccano dal cappuccio pistone.



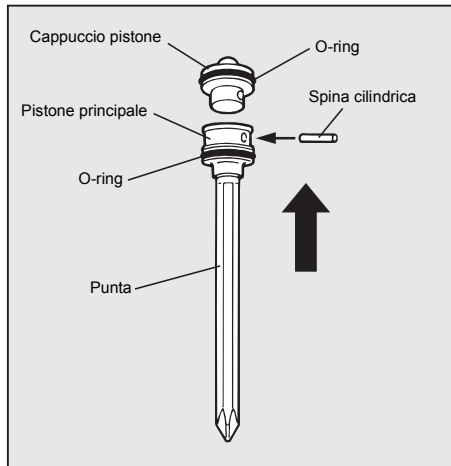
- 5 Estrarre la punta usurata dal pistone principale e sostituirla con la punta nuova.

2. MONTAGGIO

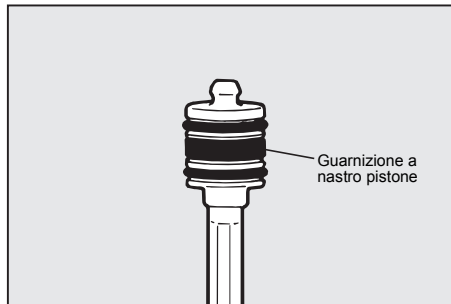


AVVERTENZA

- Durante il montaggio utilizzare esclusivamente olio e grasso del tipo prescritto.

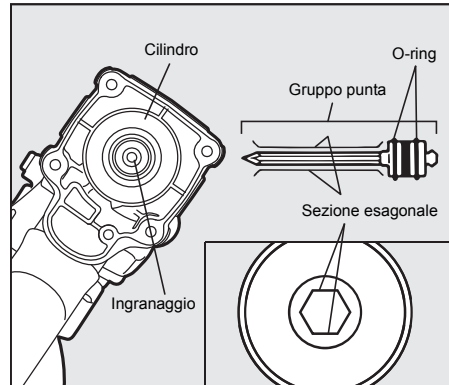


- ⑥ Utilizzando la spina cilindrica, fissare la nuova punta, il pistone principale e il cappuccio del pistone assemblati al punto ⑤ in ordine inverso alla procedura descritta al punto ④.



AVVERTENZA

- Accertarsi che la spina cilindrica sia stata saldamente inserita.
- ⑦ Inserire la guarnizione a nastro del pistone sulla scanalatura centrale del gruppo punta.

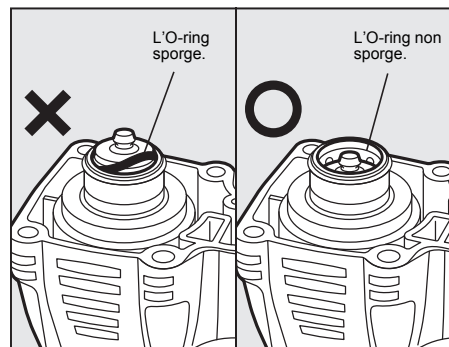


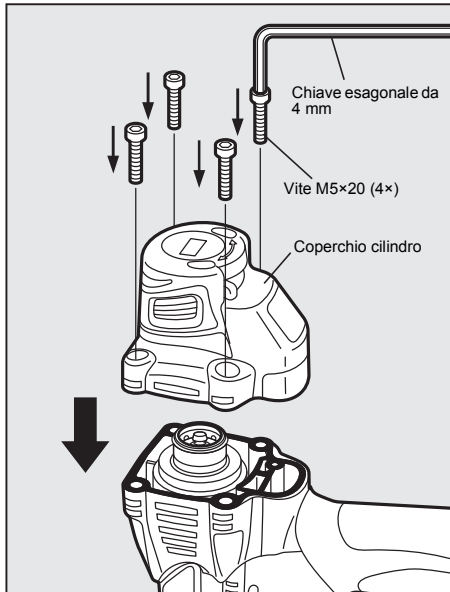
AVVERTENZA

- Controllare che l'O-ring non sporga dal gruppo punta.
- ⑧ Allineare la sezione esagonale della punta a quella dell'ingranaggio e inserire il gruppo punta nel cilindro.

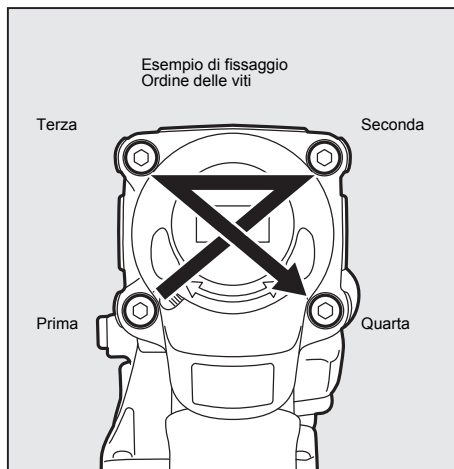
AVVISO:

- Applicare quindi almeno 10 gocce d'olio nel cilindro.





- 9 Montare la guarnizione del coperchio cilindro sulla parte superiore del corpo.
- 10 Posizionare il coperchio cilindro sulla relativa guarnizione.
- 11 Tenendo premuto il coperchio cilindro, serrare le quattro viti (M5x20) con la chiave esagonale da 4 mm.



ATTENZIONE

- **Accertarsi che il coperchio del cilindro sia stato serrato saldamente e uniformemente al corpo con le quattro viti (M5x20) alla specifica coppia di serraggio.**

AVVISO:

- Serrare le viti uniformemente procedendo in ordine diametralmente opposto. La coppia di serraggio prescritta è di 100 - 120 kgf-cm (da 86,8 a 104,2 in lbs).

8. MANTENIMENTO IN PERFETTA EFFICIENZA

- 1 NON AZIONARE LA CHIODATRICE QUANDO È VUOTA
- 2 USARE OLIO CONSIGLIATO
Olio per turbina o "velocite" dovrebbe essere usato per lubrificare la chiodatrice. A completamento delle operazioni, applicare 10 gocce di olio nella presa dell'aria con un lubrificatore a getto. (Olio prescritto: ISO VG32)
- 3 PROCEDERE ALLA VERIFICA E ALLA MANUTENZIONE DELL'UTENSILE QUOTIDIANAMENTE O OGNIQUALVOLTA SI ESEGUE LA MESSA IN FUNZIONE



ATTENZIONE

Prima di procedere alla verifica o alla manutenzione dell'attrezzo, scollegare l'alimentazione dell'aria compressa e svuotare il caricatore.

- (1) Scaricare il compressore dell'aria
- (2) Stringere tutte le viti.
- (3) Continuare a muovere il braccio di contatto in modo regolare

9. IMMAGAZZINAGGIO

- 1 Al fine di evitare la formazione di ruggine, applicare un sottile strato di lubrificante sulle parti in acciaio prima di riporre l'utensile per un periodo prolungato.
- 2 Non conservare l'utensile a temperature ridotte, bensì in luoghi caldi.
- 3 Quando l'utensile non viene utilizzato, conservarlo in luoghi caldi e asciutti. Non tenere l'utensile alla portata dei bambini.
- 4 L'usura determinata dal normale impiego di un qualsiasi utensile di qualità rende sempre necessaria l'esecuzione della manutenzione o la sostituzione di componenti

10. DIAGNOSTICA

La diagnostica e/o le operazioni di riparazione possono essere effettuate esclusivamente da concessionari MAX CO. LTD. o da altro personale specializzato.



Supplemento relativo alle istruzioni di servizio

Secondo la norma europea EN 792-13, il regolamento vale del 1. 1.2001 che tutti apparecchi per chiodatura muniti di scatto a contatto devono essere contrassegnati con il simbolo "Non utilizzare da impalcature o scale a pioli" e non devono essere utilizzati per utilizzi certi, per esempio:

- * se il passaggio da un punto di chiodatura ad un altro avviene passando da impalcature, scale, scale a pioli o costruzioni simili come p.e. i graticci del tetto,
- * nella chiusura di casse o gabbie
- * nell'applicazione di sistemi di sicurezza per il trasporto, ad esempio su veicoli e vagoni.

ESPAÑOL

MANUAL DE OPERACIONES Y MANTENIMIENTO

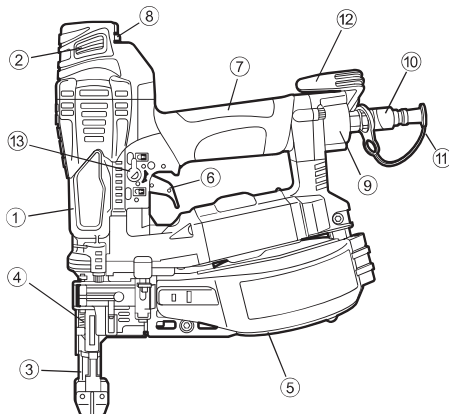
INDICE

1. DENOMINACIÓN DE LAS PIEZAS	59
2. ADVERTENCIAS GENERALES DE SEGURIDAD	60
3. ADVERTENCIA DE SEGURIDAD	60
4. DATOS TECNICOS Y ESPECIFICACIONES	63
5. EL SUMINISTRO DE AIRE Y CONEXIONES	63
6. INSTRUCCIONES PARA EL FUNCIONAMIENTO	64
7. CÓMO CAMBIAR LA BROCA	70
8. MANTENIMIENTO	72
9. ALMACENAMIENTO	72
10. SUBSANACION DE AVERIAS	72



ANTES DE USAR LA HERRAMIENTA ESTUDIE ESTE MANUAL PARA CONOCER LAS ADVERTENCIAS E INSTRUCCIONES DE SEGURIDAD. CONSERVE ESTAS INSTRUCCIONES JUNTO CON LA HERRAMIENTA PARA FUTURAS ADVERTENCIA CONSULTAS.

1. DENOMINACIÓN DE LAS PIEZAS



- ① Carcasa
- ② Tapa del cilindro
- ③ Brazo de contacto
- ④ Puerta
- ⑤ Cargador
- ⑥ Disparador
- ⑦ Asa o mango
- ⑧ Palanca de conmutación
- ⑨ Regulador
- ⑩ Tapón de evacuación de aire
- ⑪ Caperuza del enchufe de extremidad
- ⑫ Gancho
- ⑬ Dial de bloqueo del disparador

2. ADVERTENCIAS GENERALES DE SEGURIDAD



ADVERTENCIA

PARA EVITAR IMPORTANTES DAÑOS PERSONALES Y MATERIALES ANTES DE USAR LA HERRAMIENTA LEA DETENIDAMENTE Y ENTIENDA LAS SIGUIENTES "INSTRUCCIONES DE SEGURIDAD". SI NO RESPETA LAS SIGUIENTES ADVERTENCIAS PUEDEN PRODUCIRSE LESIONES GRAVES O INCLUSO LA MUERTE.



- 1. LLEVE GAFAS PROTECTORAS O DE SEGURIDAD**
Un peligro a los ojos siempre está presente debido al polvo rechazado por el aire o a la eyección de clavos por medio de una manipulación incorrecta de la herramienta. Por estos motivos, es necesario utilizar siempre gafas protectoras o de seguridad al operar la herramienta. El patrono y/o el usuario deben asegurar una protección apropiada de los ojos de los operadores de la herramienta. El equipamiento de protección de los ojos debe responder a las exigencias del American National Standards Institute, Norma ANSI Z87.1 (Directiva del Consejo 89/686/CEE de 21 de diciembre de 1989) y asegurar una protección frontal y lateral. El patrono es responsable para imponer el uso del equipamiento de protección de los ojos por el operador de la herramienta y por todos los demás miembros del personal en la superficie de trabajo.
AVISO: Las gafas sin protección lateral y frontal no aseguran una protección correcta.



- 2. EN ALGUNAS CIRCUNSTANCIAS PUEDE SER NECESARIO LA PROTECCIÓN DE OÍDOS**
El usuario puede ser expuesto a un nivel alto de ruido, lo cual puede causar daños al oído. El usuario debería asegurarse de que se emplea la protección necesaria, y de que sea empleado por los demás trabajadores en la zona de trabajo.



- 3. MANTENER LAS MANOS Y EL CUERPO ALEJADOS DE LA SALIDA DE DESCARGA**

Al cargar y usar la herramienta no colocar ni la mano ni ninguna parte del cuerpo sobre la salida de descarga, ya que puede resultar muy peligroso. Es muy peligroso golpear las manos o el cuerpo por error.

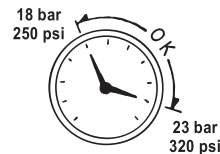


- 4. NO UTILICE ANDAMIOS NI ESCALERAS DE MANO**
No use andamios ni escaleras de mano cuando utilice remachadoras de clavos equipadas con acción por contacto o acción por contacto continuo.

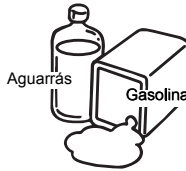
3. ADVERTENCIA DE SEGURIDAD



- 1. CUANDO USE LA HERRAMIENTA ASEGÚRESE DE UTILIZAR COMPRESORES Y MANGUERAS DE AIRE ESPECIALES**
Para mejorar el rendimiento se ha ajustado la presión de trabajo a un nivel superior al de los clavadores convencionales. Para usar la herramienta siempre serán necesarios el compresor y la manguera de aire especiales. El uso de gas combustible a presión (por ejemplo oxígeno, acetileno, etc.) genera una combustión anómala que puede producir explosiones. Use únicamente compresores y mangueras de aire especiales.



- 2. UTILIZAR DENTRO DEL LIMITE ADECUADO DE PRESIÓN DE AIRE**
La herramienta está diseñada para funcionar dentro de un límite de presión de aire de 18 a 23 bar (250 a 320 p.s.i.). La presión debería ser adaptada a la clase de trabajo indicado. La herramienta no debería ser manejada cuando la presión sobrepasa 23 bar (320 p.s.i.).



3. NO MANEJAR LA HERRAMIENTA CERCA DE SUSTANCIAS INFLAMABLES

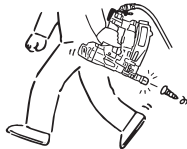
Nunca manejar la herramienta cerca de sustancias inflamables (por ejemplo aguarrás, gasolina, etc.). Gases volátiles de estas sustancias pueden ser arrastrados dentro del compresor y el aire comprimido puede provocar una explosión.

4. NUNCA UTILIZAR LA HERRAMIENTA EN UN AMBIENTE EXPLOSIVO

Las chispas de la herramienta pueden inflamar los gases atmosféricos, el polvo u otros materiales combustibles.

5. NO UTILIZAR ACCESORIOS IMPROPIOS

El enchufe de la herramienta no debe contener presión cuando el suministro de aire esté desconectado. Si se utiliza un accesorio impropio, la herramienta puede quedarse cargada con aire después de desconectar, de este modo seguirá funcionando incluso después de haber desconectado el suministro de aire, con la posibilidad de causar daños.



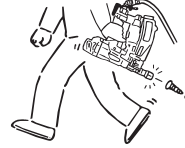
6. MIENTRAS LA HERRAMIENTA NO ESTE EN USO, DESCONECTE LA ALIMENTACIÓN DE AIRE COMPRIMIDO Y VACÍE EL CARGADOR

Siempre desconecte el suministro de aire desde la herramienta y vacíe el cartucho, cuando la operación ha sido completada o está suspendida, cuando permanece sin atender, cambiando a una área de trabajo diferente, ajustando, desarmando o reparando la herramienta, y al despejar un afianzador atascado.



7. COMPROBAR LA TENSIÓN DEL TORNILLO

Los tornillos flojos o mal instalados pueden causar accidentes y daños a la herramienta, cuando se utiliza. Compruebe que todos los tornillos estén apretados y bien instalados antes de utilizar la herramienta.



8. NO TOCAR EL DISPARADOR AL MENOS QUE TENGA INTENCIÓN DE REMACHAR UN CLAVO

Cuando el suministro de aire esté conectado a la herramienta, no tocar nunca el disparador a menos que tenga intención de remachar un clavo. Es peligroso llevar la herramienta con disparador apretado, y esto debe ser evitado.

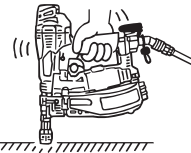


9. NUNCA APUNTE LA SALIDA DE DESCARGA HACIA UD. MISMO Y OTRO PERSONAL

Si la salida de descarga es apuntada hacia personas, pueden ocasionarse serios accidentes cuando se dispara equivocadamente. Asegúrese de que la salida de descarga no está apuntada hacia las personas cuando conecta y desconecta la manguera, carga y descarga los afianzadores u operaciones similares.

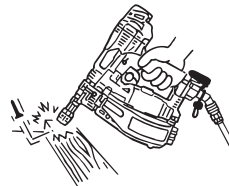
10. UTILIZAR GRAPAS ESPECIFICAS (VÉASE LA PÁGINA 63)

El uso de grapas que no sean las específicas pueden causar la mala función de la herramienta. Asegurarse de utilizar únicamente grapas específicas.



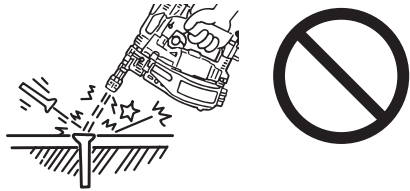
11. PONGA CORRECTAMENTE EL ENCHUFE DE DESCARGA EN LA SUPERFICIE DE TRABAJO

Si se olvida de poner el enchufe de descarga del pico de manera apropiada, se puede causar una separación violenta del sujetador para arriba y esto es extremadamente peligroso.



12. NO GRAPAR JUNTO AL BORDE DE LAS SUPERFICIES O MATERIALES FINOS

Es probable que la superficie se divida y la grapa podría saltar y dañar a alguien. Tener cuidado a la hora de grapar materiales finos y los bordes y las esquinas de las superficies.



13. NO GRAPAR SOBRE OTRAS GRAPAS

Grapando encima de otras grapas puede causar desvío, lo cual puede causar daños.

14. QUITAR LAS GRAPAS DESPUÉS DE COMPLETAR LA OPERACIÓN

Si se dejan las grapas puestas después de completar la operación, existe el peligro de un accidente grave, si se maneja la herramienta de forma descuidada, o en la hora de conectar las instalaciones de aire. Por esta razón es imprescindible quitar todas las grapas que sobran después de completar la operación.

15. COMPRUEBE FRECUENTEMENTE EL FUNCIONAMIENTO DEL MECANISMO DE DISPARO POR CONTACTO EN EL CASO DE UTILIZAR UNA HERRAMIENTA DEL TIPO DE ACCIÓN POR CONTACTO.

No utilizar la herramienta si el disparador no funciona correctamente, ya que puede grapar sin querer. No interfiera el funcionamiento correcto del mecanismo de disparo por contacto.



16. UTILIZACIÓN DE LA HERRAMIENTA AL AIRE LIBRE O EN SITIOS ELEVADOS

A la hora de grapar tejados u otras superficies inclinadas, empezar en la parte baja y poco a poco subir. Grapar hacia atrás es peligroso ya que se puede resbalar. Asegurar la manguera cerca de la zona donde se va a grapar. Accidentes pueden resultar debido a que la manguera se enganche.

17. NUNCA UTILICE LA HERRAMIENTA SI CUALQUIER PORCIÓN DE LOS CONTROLES DE LA HERRAMIENTA (POR EJEMPLO, DISPARADOR, BRAZO DE CONTACTO) ES INOPERABLE, DESCONECTADA, ALTERADA O NO OPERA CORRECTAMENTE

18. NO CLAVE NUNCA EN EL AIRE

De lo contrario, existe peligro por los clavos que salen disparados, y la herramienta sufre un sobreesfuerzo innecesario.

19. SUPONGA SIEMPRE QUE LA HERRAMIENTA CONTIENE LOS AFIANZADORES

20. RESPECTO A LAS HERRAMIENTAS COMO UN ELEMENTO DE TRABAJO

21. NO JUEGUE HACIENDO BROMAS

22. NUNCA CARGUE LA HERRAMIENTA CON LOS AFIANZADORES CUANDO CUALQUIERA DE LOS CONTROLES DE OPERACIÓN (ej.: DISPARADOR, BRAZO DE CONTACTO) SE ENCUENTRA ACTIVADO

23. CUANDO LA MÁQUINA O SUS PIEZAS SE PONEN AL RECHAZO, POR FAVOR SIGUE LOS REGLAMENTOS NACIONALES RELATIVOS

OBSERVAR LAS SIGUIENTES PRECAUCIONES, ASÍ COMO LAS OTRAS ADVERTENCIAS QUE SE RECOGEN EN ESTE MANUAL

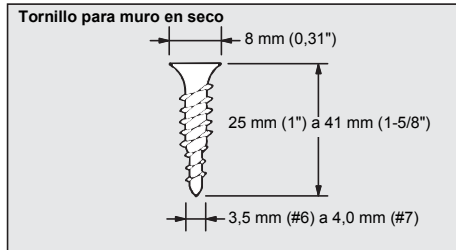
- No utilizar la herramienta como martillo.
- Sostenga la herramienta en todo momento por la empuñadura y nunca la transporte sosteniéndola por los tubos de aire.
- La herramienta debe ser utilizada únicamente para el propósito a que fue designada.
- Nunca retire, fuerce los controles de operación (ej.: DISPARADOR, BRAZO DE CONTACTO).
- Guardar la herramienta en sitios secos y mantener fuera del alcance de niños.
- No utilizar la herramienta sin la etiqueta de Advertencia de Seguridad.
- No modificar la herramienta del diseño original o función sin la aprobación de MAX CO., LTD.

4. DATOS TECNICOS Y ESPECIFICACIONES

1. ESPECIFICACIONES DE LA HERRAMIENTA

ALTURA	312 mm (12-1/4")
ANCHO	116 mm (1-1/2")
LARGO	300 mm (11-3/4")
PESO	1,9 kg (4,2 lbs.)
PRESIÓN DE SERVICIO RECOMENDADA	18 a 23 bar (250 a 320 p.s.i.)
CAPACIDAD DE CARGA	100 tornillos
CONSUMO DE AIRE COMPRIMIDO	1,90 a la presión de funcionamiento de 23,0 bar (334 p.s.i.)
ACCESORIOS	Llave Allen hex., engrasador a presión Gafas protectoras, Contacto superior L

2. DATOS TÉCNICOS DE LOS CLAVOS



PRESION DE SERVICIO RECOMENDADA:

18 a 23 bar (250 a 320 p.s.i.). Para garantizar el rendimiento óptimo del clavador, la presión del aire debe ser regulada dentro de este campo.

LA PRESION DE SERVICIO NO DEBE SUPERAR LOS 23 BAR (320 p.s.i.).

3. DATOS TÉCNICOS

● NIVEL DE RUIDO

Nivel de potencia acústica por impulsos A

----- LWA, 1s, d 95,59 dB

Nivel de intensidad acústica por impulsos A en el puesto de trabajo.

----- LpA, 1s, d 93,92 dB

La determinación y documentación de estos valores se realiza según EN12549 : 1999

● VIBRACIONES

Valor característico de vibración = 2,45 m/s²

Estos valores se determinan y se documentan de acuerdo con la Norma ISO 8662-11.

Este valor es un valor característico relacionado con la herramienta y no representa la influencia al sistema mano-brazo al usar la herramienta. Una influencia al sistema mano-brazo cuando se usa la herramienta, por ejemplo, dependerá de la fuerza de agarre, la fuerza de presión de contacto, la dirección de trabajo, el ajuste del suministro de aire principal, el lugar de trabajo, el soporte de los objetos de trabajo.

4. CAMPOS DE APLICACIÓN

* Fijación de paneles de yeso, paneles decorativos y otros paneles de interior.

5. EL SUMINISTRO DE AIRE Y CONEXIONES



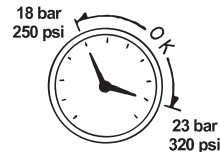
ADVERTENCIA

Lea el apartado con el título "INSTRUCCIONES PARA LA SEGURIDAD"



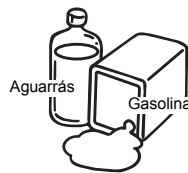
NO UTILIZAR NINGUNA FUENTE DE ENERGÍA SALVO UN COMPRESOR DE AIRE

La herramienta está diseñada para funcionar con aire comprimido. No utilizar la herramienta con ningún otro gas combustible (por ejemplo, oxígeno, acetileno, etc.), ya que existe el peligro de una explosión. Por esta razón, es imprescindible que no se utilice otra cosa que un compresor de aire para manejar la herramienta.



UTILIZAR DENTRO DEL LIMITE ADECUADO DE PRESIÓN DE AIRE

La herramienta está diseñada para funcionar dentro de un límite de presión de aire de 18 a 23 bar (250 a 320 p.s.i.). La presión debería ser adaptada a la clase de trabajo indicado. La herramienta no debería ser manejada cuando la presión sobrepasa 23 bar (320 p.s.i.).

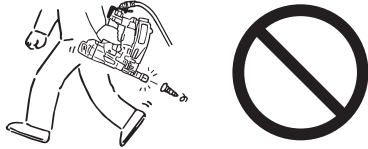


NO MANEJAR LA HERRAMIENTA CERCA DE SUSTANCIAS INFLAMABLES

Nunca manejar la herramienta cerca de sustancias inflamables (por ejemplo aguarrás, gasolina, etc.). Gases volátiles de estas sustancias, pueden ser arrastradas dentro del compresor y el aire comprimido puede provocar una explosión.

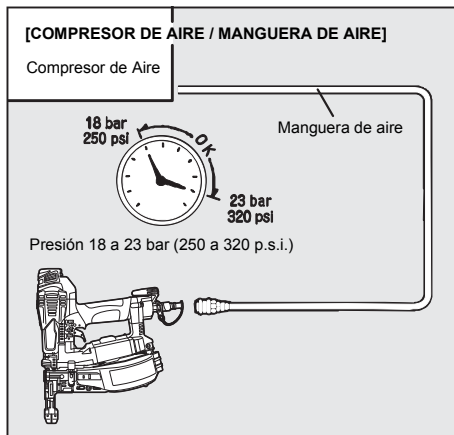
NO UTILIZAR ACCESORIOS IMPROPIOS

El enchufe de la herramienta no debe contener presión, cuando el suministro de aire este desconectado. Si se utiliza un accesorio impropio, la herramienta puede quedarse cargada con aire después de desconectar, de este modo seguirá funcionando incluso después de haber desconectado el suministro de aire, con la posibilidad de causar daños.



MIENTRAS LA HERRAMIENTA NO ESTE EN USO, DESCONECTE LA ALIMENTACIÓN DE AIRE COMPRIMIDO Y VACÍE EL CARGADOR

Siempre desconecte el suministro de aire desde la herramienta y vacíe el cartucho, cuando la operación ha sido completada o está suspendida, cuando permanece sin atender, cambiando a una área de trabajo diferente, ajustando, desarmando o reparando la herramienta, y al despejar un afianzador atascado.



CUANDO USE LA HERRAMIENTA ASEGÚRESE DE UTILIZAR COMPRESORES Y MANGUERAS DE AIRE ESPECIALES.

Para mejorar el rendimiento se ha ajustado la presión de trabajo a un nivel superior al de los clavadores convencionales. Para usar la herramienta siempre serán necesarios un compresor de aire y una manguera de aire especiales (Compresor PowerLite y manguera PowerLite de MAX). El uso de gas a alta presión (por ejemplo oxígeno, acetileno, etc.) genera una combustión anómala que puede producir explosiones. Use únicamente compresores y mangueras de aire especiales.

AVISO:

Es necesario engrasar pero no excesivamente para obtener un perfecto funcionamiento. El aceite que se añade a la conexión de suministro de aire engrasa las partes internas.

6. INSTRUCCIONES PARA EL FUNCIONAMIENTO

Lea el apartado con el título "INSTRUCCIONES PARA LA SEGURIDAD".

1. ANTES DE LA PUESTA EN MARCHA

- 1 Póngase gafas protectoras.
- 2 No conecte el suministro de aire.
- 3 Compruebe los tornillos en cuanto a su firme asiento.
- 4 Compruebe el funcionamiento del brazo de contacto y la marcha fácil del disparador.
- 5 Conecte el aire comprimido.
- 6 Compruebe la herramienta en cuanto a fugas de aire. (No deben existir fugas de aire.)
- 7 Sujete la herramienta (sin colocar el dedo en el disparador) y apriete el brazo de contacto contra la pieza. (La herramienta no debe estar en funcionamiento.)
- 8 Mantenga la herramienta de modo que el brazo de contacto no esté aplicado contra la pieza, y accione el disparador. (La herramienta no debe estar en funcionamiento.)
- 9 Desconecte el suministro de aire.



ADVERTENCIA



2. FUNCIONAMIENTO

Use gafas protectoras o de seguridad.

Un peligro a los ojos siempre está presente debido al polvo rechazado por el aire o a la eyección de clavos por medio de una manipulación incorrecta de la herramienta. Por estos motivos, es necesario utilizar siempre gafas protectoras o de seguridad al operar la herramienta.

El patrono y/o el usuario deben asegurar una protección apropiada de los ojos de los operadores de la herramienta. El equipamiento de protección de los ojos debe responder a las exigencias del American National Standards Institute, Norma ANSI Z87.1 (Directiva del Consejo 89/686/CEE de 21 de diciembre de 1989) y asegurar una protección frontal y lateral. El patrono es responsable para imponer el uso del equipamiento de protección de los ojos por el operador de la herramienta y por todos los demás miembros del personal en la superficie de trabajo.

AVISO:

Las gafas sin protección lateral y frontal no aseguran una protección correcta.

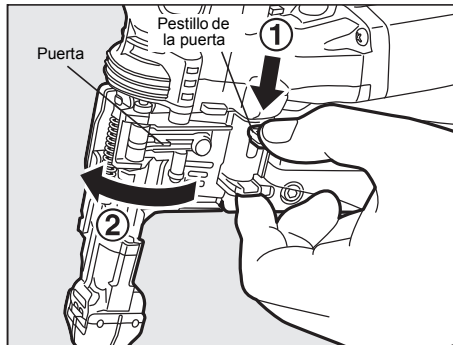


ADVERTENCIA

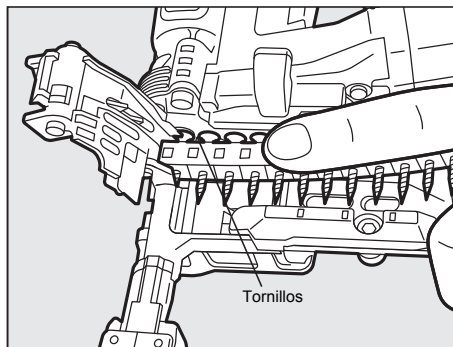
Durante el proceso de grapar/clavar, las manos y el cuerpo deben mantenerse alejados del orificio de salida ya que existe el riesgo de que puedan ser heridos accidentalmente.



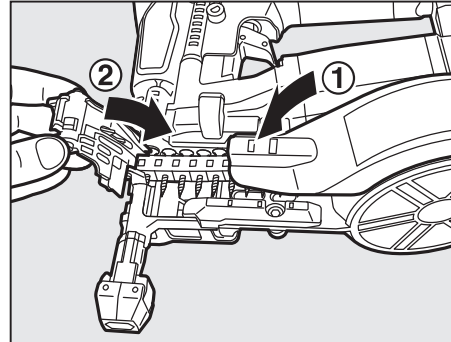
CARGA DE TORNILLOS



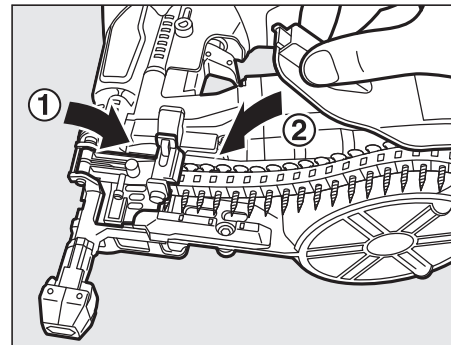
- 1 Abra el cargador. Tire hacia abajo del pestillo de la puerta y gírela hacia un lado. Gire la cubierta del cargador hacia un lado.



- 2 Carga de tornillos. Coloque una bobina de tornillos en el cargador. Desenrolle los tornillos lo necesario para alcanzar el trinquete de alimentación y coloque el segundo tornillo en el trinquete de alimentación. La cabeza del tornillo encaja en la ranura del pico.



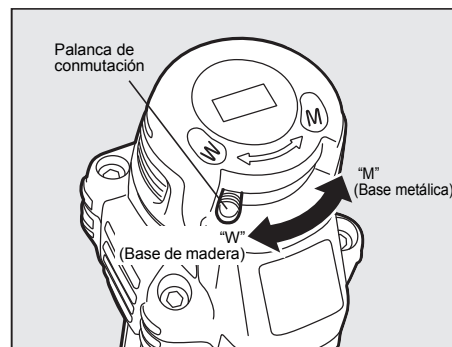
- 3 Gire la cubierta del cargador hacia dentro.
- 4 Cierre la puerta. Compruebe que el pestillo encaje. (Si no lo hace, compruebe que la cabeza del tornillo esté encajada en la ranura del pico).



* También puede cerrar primero la puerta y luego la tapa del cargador.

PRUEBA DE FUNCIONAMIENTO

- 1 Ajuste la presión del aire a 18 bar (250 p.s.i.) y conecte el suministro de aire comprimido.
- 2 Sin tocar el disparador, presione el brazo de contacto contra la pieza. Apriete el disparador. (La herramienta debe disparar el clavo.)
- 3 Ajuste la presión del aire a un nivel lo más bajo posible, según la longitud y el diámetro del clavo y la dureza de la pieza de trabajo.



PALANCA DE CONMUTACIÓN

Esta herramienta dispone de un mecanismo de conmutación que optimiza el trabajo de atornillado (maniobrabilidad, velocidad) en función del tipo de material base a tratar.

AVISO:

- Se recomienda ajustar la palanca de conmutación a la posición adecuada para el tipo de material base a tratar.

POSICIÓN DE LA PALANCA DE CONMUTACIÓN

Posición de la palanca	Tipo de material base a tratar	
	Material base	Material de superficie
"W" (Base de madera)	De madera	Panel de muro seco (9,5 a 15 mm de espesor), 1 o 2 piezas.
"M" (Basemetálica)	Metal (menos de 0,8 mm de espesor)	Panel de muro seco (9,5 a 15 mm de espesor), 1 o 2 piezas.

Material base	Número de paneles	Posición de la palanca	
		"W"	"M"
De madera	1 pieza	*1	*2
	2 piezas	*1	*2
Metal	1 pieza	*2	*1
	2 piezas	*3	*1

*1 : óptimo

*2 : accionable

*3 : No puede accionarse

AVISO:

- En los casos de material de base metálica y 2 piezas de paneles de muro seco no puede llevarse la palanca de conmutación a la posición "W".
- La palanca de conmutación debe accionarse correctamente y llevarse a la posición "W" o "M" hasta que se oiga un clic.

IDENTIFICACION DE LOS MODELOS

DISPARO POR CONTACTO

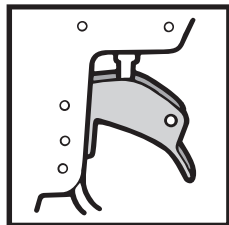
El método de funcionamiento común de las herramientas de "Disparo por contacto" permite al operador accionar el mecanismo de disparo manteniendo apretado el disparador y remachar un clavo cada vez que se entra en contacto con la pieza que se trabaja. Esto permite insertar un clavo cada vez que la pieza de trabajo entra en contacto.

Se posibilita así una instalación rápida de los clavos sobre muchas piezas de trabajo, como en el caso de puesta en envoltura, clavado de piso y montaje de paletas.

Todas las herramientas neumáticas son propensas a un rebote cuando se colocan clavos. La herramienta corre el riesgo de rebotar, en caso de disparo, y de entrar por descuido en contacto con la superficie de la pieza de trabajo con el disparador siempre impulsado (mientras que el dedo del operador tira siempre el disparador). En ese caso se insertará un segundo clavo no previsto.

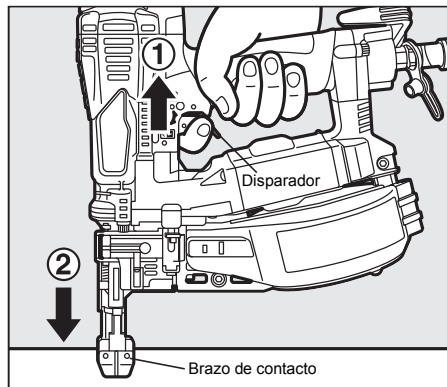
MODELO DE DISPARO POR CONTACTO CON MECANISMO DE DISPARO ANTIDOBLE

(Patente 5597106 EE.UU. Patente GB 2286790)
Identificado por el DISPARADOR ROJO.



FUNCIONAMIENTO DEL DISPARO POR CONTACTO (DISPARO POR CONTACTO)

Para la operación de disparo por contacto, mantener apretado el disparador y presionar el brazo de contacto contra la superficie de la pieza de trabajo.



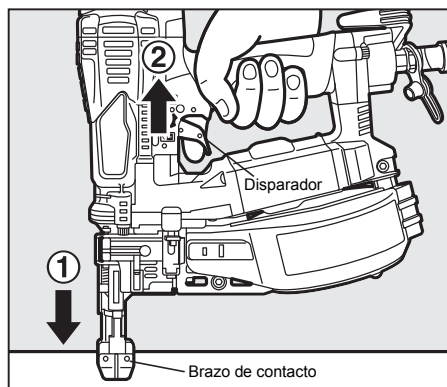
MÉTODO

- 1 Mantener apretado el disparador.
- 2 Presionar el brazo de contacto.

DISPARO SIMPLE (MECANISMO DE DISPARO ANTIDOBLE)

Para la operación de disparo simple, presionar el brazo de contacto contra la superficie de la pieza de trabajo, luego apretar el disparador.

La herramienta no puede disparar un segundo clavo hasta que el disparador esté liberado y la herramienta puede hacer un ciclo.



MÉTODO

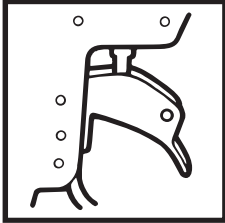
- 1 Presionar el brazo de contacto.
- 2 Apriete el disparador.

DISPARO SECUENCIAL (Kit opcional)

Con el disparo secuencial, el operador debe tener la herramienta contra la pieza de trabajo antes de apretar el disparador. Esto facilita un clavado preciso de los clavos, por ejemplo en el caso de puesta de marco, clavado de piso y montaje de cajas. El disparo secuencial permite una localización exacta de los clavos sin riesgo de insertar un segundo clavo en caso de rebote, tal como se describe en el apartado "Disparo por contacto".

La herramienta de disparo secuencial presenta una ventaja de seguridad porque no causa un clavado accidental si la herramienta entra en contacto con la pieza de trabajo o cualquier otro objeto, mientras que el operador mantiene el disparador apretado.

DISPARO SECUENCIAL
Identificado por el **DISPARADOR ANARANJADO**.



PARTE SUPERIOR DEL CONTACTO



ADVERTENCIA

- Cuando sustituya la parte superior de contacto asegúrese de bloquear el disparador y quitar la manguera de aire.



PRECAUCIÓN

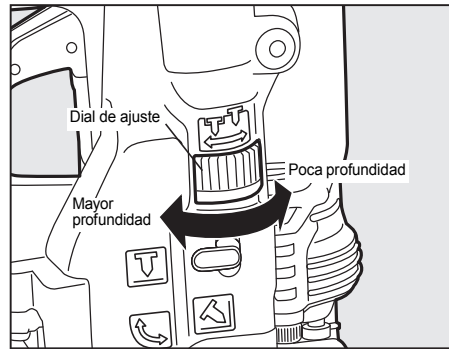
- Si el tornillo no queda apretado (como cuando se grapan paneles de muro seco en materiales de base de acero delgado o de madera blanda, etc.) use la parte superior L del contacto.
- * La parte superior de contacto L reduce la cantidad de grapado, estabiliza el resultado reduciendo los efectos sobre el material de base y disminuye el número de tornillos flojos.

Parte superior de contacto (anaranjada) Parte superior de contacto estándar	Parte superior de contacto L (transparente) Parte superior de contacto incluida

La parte superior de contacto L es 3 mm más larga que la estándar y reduce la cantidad de grapado sobre los materiales de base.

- Si no hay mejora incluso utilizando la parte superior de contacto L, lleve la **PALANCA DE CONMUTACIÓN** a la posición "W" (base de madera).

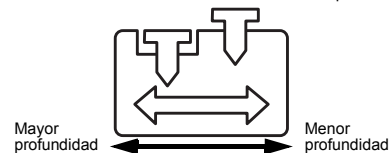
DIAL DE AJUSTE DE LA PROFUNDIDAD DE CLAVADO



ADVERTENCIA

- Desconecte **SIEMPRE** el suministro de aire antes de manipular el dial de ajuste.

- 1 Una vez ajustada la presión del aire, clavar algunos clavos en una muestra del material a clavar para determinar si es necesario reajustar la profundidad de clavado.
- 2 En caso positivo, desconectar la alimentación de aire comprimido.
- 3 Puede comprobar el sentido de giro del dial de ajuste en el Ajuste del espaciador.
- 4 Volver a conectar la alimentación de aire comprimido.



CÓMO USAR EL AJUSTADOR DE CONTACTO SIMPLE



ADVERTENCIA

- **Desconecte SIEMPRE el suministro de aire antes de manipular el ajuste de contacto simple.**
 Cuando sea inevitable colocar un tornillo oblicuamente, como en el remachado de un ángulo, la herramienta puede hundirse en la superficie del panel mediante la operación de contacto simple.

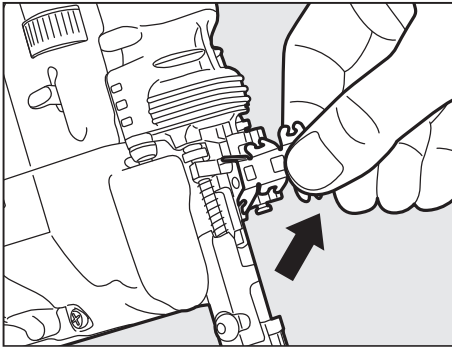
	Posición del ajustador	Tornillo	Aplicación
Clavado plano		<p>Si el tornillo se clava inclinado su cabeza sobresale del panel.</p>	<p>Uso para clavado plano</p>
Clavado inclinado		<p>La cabeza del tornillo se hunde en la superficie del panel si se clava inclinado.</p>	<p>Uso del clavado inclinado</p>

EXPLICACION DEL MECANISMO DEL BLOQUEO DEL DISPARADOR



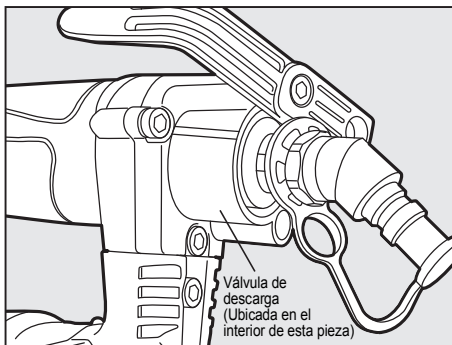
La herramienta está equipada con un mecanismo de bloqueo del disparador. Antes de remachar clavos, apriete y gire el dial LOCK del disparador hasta la posición UNLOCK.

CÓMO ELIMINAR LAS TIRAS DE PLÁSTICO



A medida que se clavan tornillos las tiras de plástico van saliendo de la herramienta. Cuando se ha formado una tira lo suficientemente larga puede eliminarse tirando de la misma contra el borde cortante del pico.

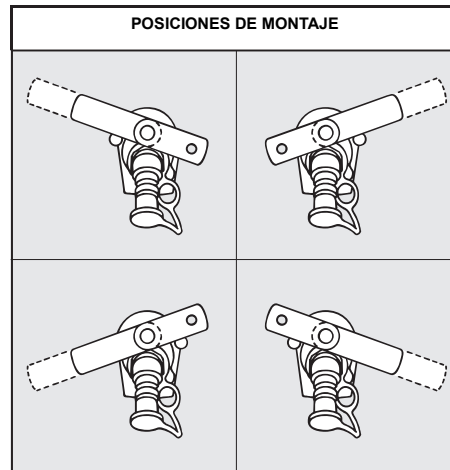
VÁLVULA DE DESCARGA



Esta herramienta incorpora una válvula de reguladora de la sobrepresión para reducir el intervalo de presión usado en la manguera PowerLine de 18 a 23 bar (250 a 320 p.s.i.) hasta una presión de alrededor de 8 bar (120 p.s.i.).

Si la válvula reguladora de la sobrepresión falla y aumenta la presión en el interior de la herramienta, entrará en funcionamiento la válvula de descarga para liberar la sobrepresión mientras se emite un sonido. Esto indica el fallo de la válvula de reducción de sobrepresión, por lo que deberá interrumpir inmediatamente el trabajo con la máquina, desconectar el suministro de aire y enviarla a MAX Co. Ltd, un distribuidor autorizado o cualquier otro especialista para su reparación. Tenga en cuenta que la válvula de descarga se encuentra en la parte trasera de la carcasa de la máquina.

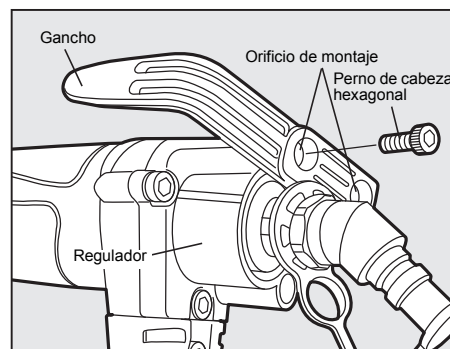
CÓMO MODIFICAR LA POSICIÓN DEL GANCHO



ADVERTENCIA

- **Desconecte SIEMPRE el suministro de aire antes de cambiar la posición del gancho.**

La posición del gancho puede cambiarse en cuatro direcciones diferentes y también puede ajustarse en dos niveles para cada dirección. Esto permite un ajuste de ocho posiciones en total.



Para cambiar la posición o el ancho del gancho use una llave Allen de 4 mm para aflojar y quitar el perno de cabeza hexagonal que lo fija. Después de ajustar la posición del gancho vuelva a colocar y apretar el perno de cabeza hexagonal.

7. CÓMO CAMBIAR LA BROCA



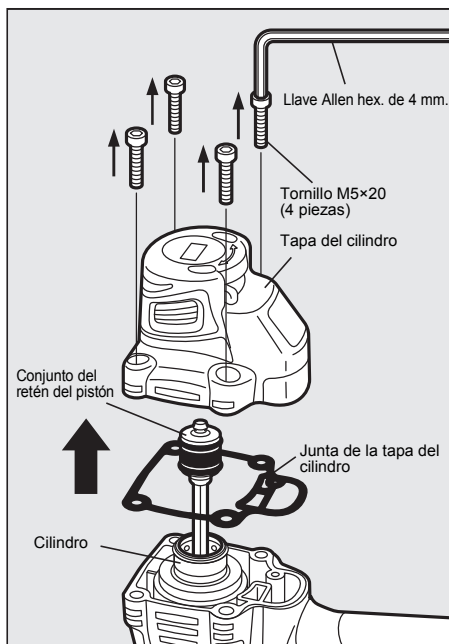
ADVERTENCIA

- Antes de cambiar una broca desconecte SIEMPRE el suministro de aire.

AVISO:

- 1 Cuando cambie la broca procure que no entre en la herramienta arena, polvo o cualquier sustancia extraña. La entrada de estas sustancias puede provocar fallos en la herramienta.
- 2 Una broca es una pieza consumible que, cuando está gastada, reduce la eficacia de la máquina y provoca el clavado defectuoso de los tornillos. Revise la broca antes de iniciar un trabajo y cámbiela si está gastada.
- 3 Use el "TURBO DRIVER BIT B41X2" disponible como opción en MAX Co., Ltd, distribuidores autorizados u otros especialistas.

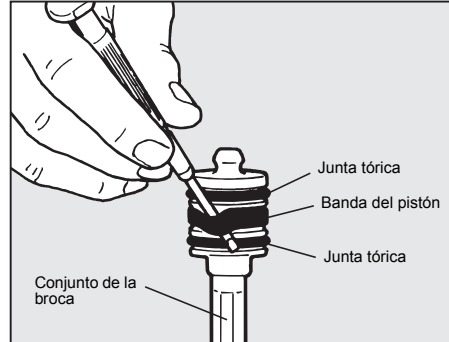
1. CÓMO QUITAR LA BROCA



- 1 Quite los tornillos M5x20 (4 piezas) con la llave Allen de 4 mm suministrada.
- 2 Quite la tapa del cilindro. Luego, quite simultáneamente el conjunto de la broca y la junta de la tapa del cilindro. Tire del conjunto de la broca unido a la tapa del cilindro.

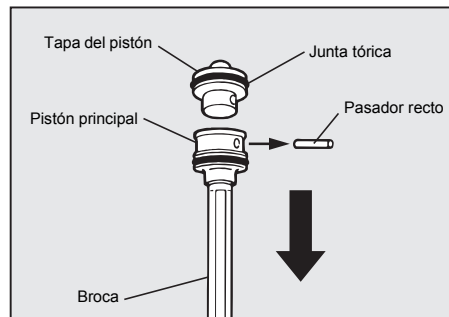
AVISO:

- Si al separar el conjunto de la broca de la tapa del pistón también se separa el conjunto del retén del pistón, vuelva a encajar este último en la tapa del cilindro.
- Si el conjunto de la broca sigue en el interior del cilindro, dele la vuelta a la herramienta para quitarlo.

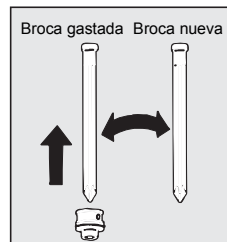


PRECAUCIÓN

- Quite la banda del pistón con cuidado para no cortarla o dañarla accidentalmente.
 - La juntas tóricas (superior e inferior) son piezas importantes para el sellado del aire comprimido. En la medida de lo posible, procure no tocarlas.
- 3 Para quitar la banda del pistón del conjunto de la broca use un destornillador de precisión o un clavo fino.



- 4 Quite el pasador recto. El pistón principal y la broca saldrán de la tapa del pistón.



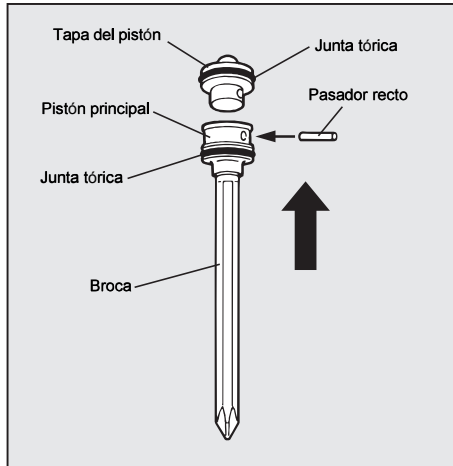
- 5 Quite la broca gastada del pistón principal y cámbiela por una nueva.

2. CÓMO MONTAR LA BROCA

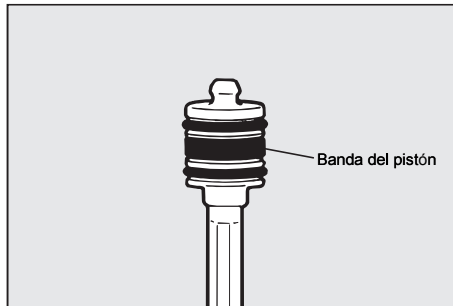


PRECAUCIÓN

- Cuando proceda a montar la broca use sólo el aceite y la grasa especificados.

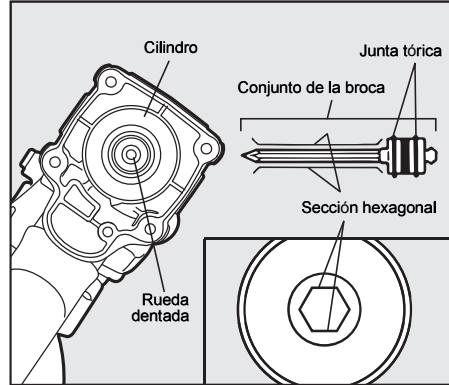


- ⑥ Usando el pasador recto, fije la broca nueva, el pistón principal y la tapa del pistón montados en el paso ⑤ en orden inverso al del paso ④.



PRECAUCIÓN

- Asegúrese de que el pasador recto quede bien colocado.
- ⑦ Encaje la banda del pistón en la ranura central del conjunto de la broca.

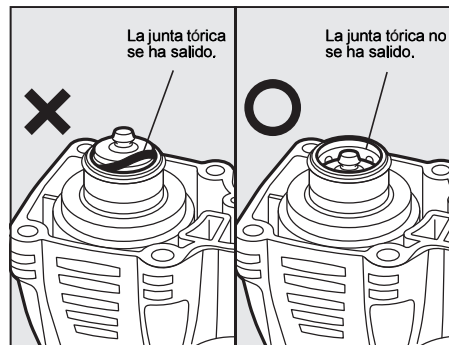


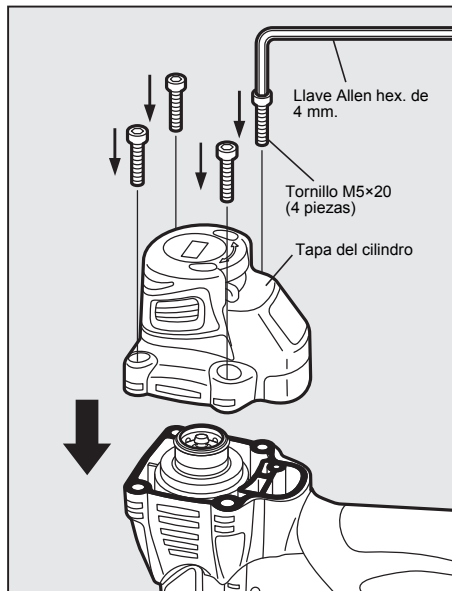
PRECAUCIÓN

- Asegúrese de que la junta tórica no se haya salido del conjunto de la broca.
- ⑧ Alinee la sección hexagonal de la broca con la de la rueda dentada y coloque el conjunto de la broca en el cilindro.

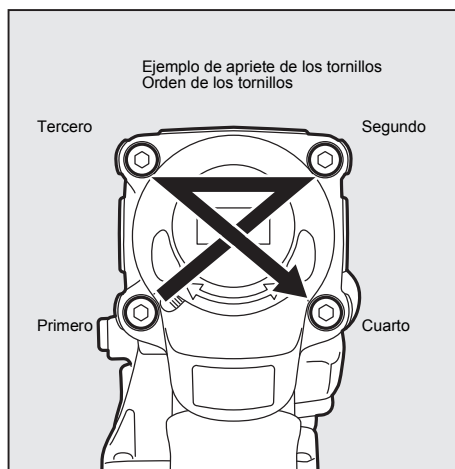
AVISO:

- Luego, asegúrese de aplicar en el cilindro 10 o más gotas de aceite.





- 9 Encaje la junta de la tapa del cilindro en la parte superior de la carcasa.
- 10 Coloque la tapa del cilindro sobre la junta de la misma.
- 11 Manteniendo sujeta la tapa del cilindro, apriete los cuatro tornillos (M5x20) con la llave Allen hex. de 4 mm.



ADVERTENCIA

- Asegúrese de que la tapa del cilindro esté firme y uniformemente atornillada a la carcasa mediante los cuatro tornillos (M5x20) con el par de apriete especificado.

AVISO:

- Apriete los tornillos uniformemente en diagonal. El par de apriete especificado es de 100 a 120 Kgf-cm (86,8 a 104,2 in lbs).

8. MANTENIMIENTO

- 1 NO DISPARAR LA CLAVADORA CUANDO ESTÁ VACÍA
- 2 UTILIZAR EL ACEITE RECOMENDADO
Se debe utilizar aceite de turbina para engrasar la herramienta. Una vez completadas las operaciones, echar 10 gotas de aceite en la boquilla de entrada de la herramienta. (Aceite recomendado: ISO VG32)
- 3 PROCEDER A LA VERIFICACIÓN Y EL MANTENIMIENTO DE LA GRAPADORA O CLAVADORA PERIÓDICAMENTE O CADA VEZ QUE SE PONGA EN FUNCIONAMIENTO



ADVERTENCIA

Antes de proceder a la verificación o al mantenimiento de ésta, interrumpir la alimentación de aire comprimido y vaciar el cargador.

- (1) Purgue el compresor de aire
- (2) Apretar todos los tornillos
- (3) El brazo de contacto debe moverse suavemente.

9. ALMACENAMIENTO

- 1 Para evitar la formación de óxido, aplicar una capa de lubricante sobre las partes aceradas antes de reponer la misma para un periodo prolongado.
- 2 No guarde la herramienta a temperaturas bajas. Guarde la herramienta en una zona templada.
- 3 Cuando la misma no se utiliza, guárdela en lugares cálidos y secos. No tener la grapadora o clavadora al alcance de los niños.
- 4 Para que las herramientas den siempre un resultado óptimo, deberá realizar el mantenimiento y la sustitución de las piezas gastadas correctamente.

10. SUBSANACION DE AVERIAS

El diagnóstico y/o las operaciones de reparación deben ser efectuados exclusivamente por concesionarios MAX CO. LTD. o por personal especializado siguiendo las instrucciones contenidas en el presente manual.



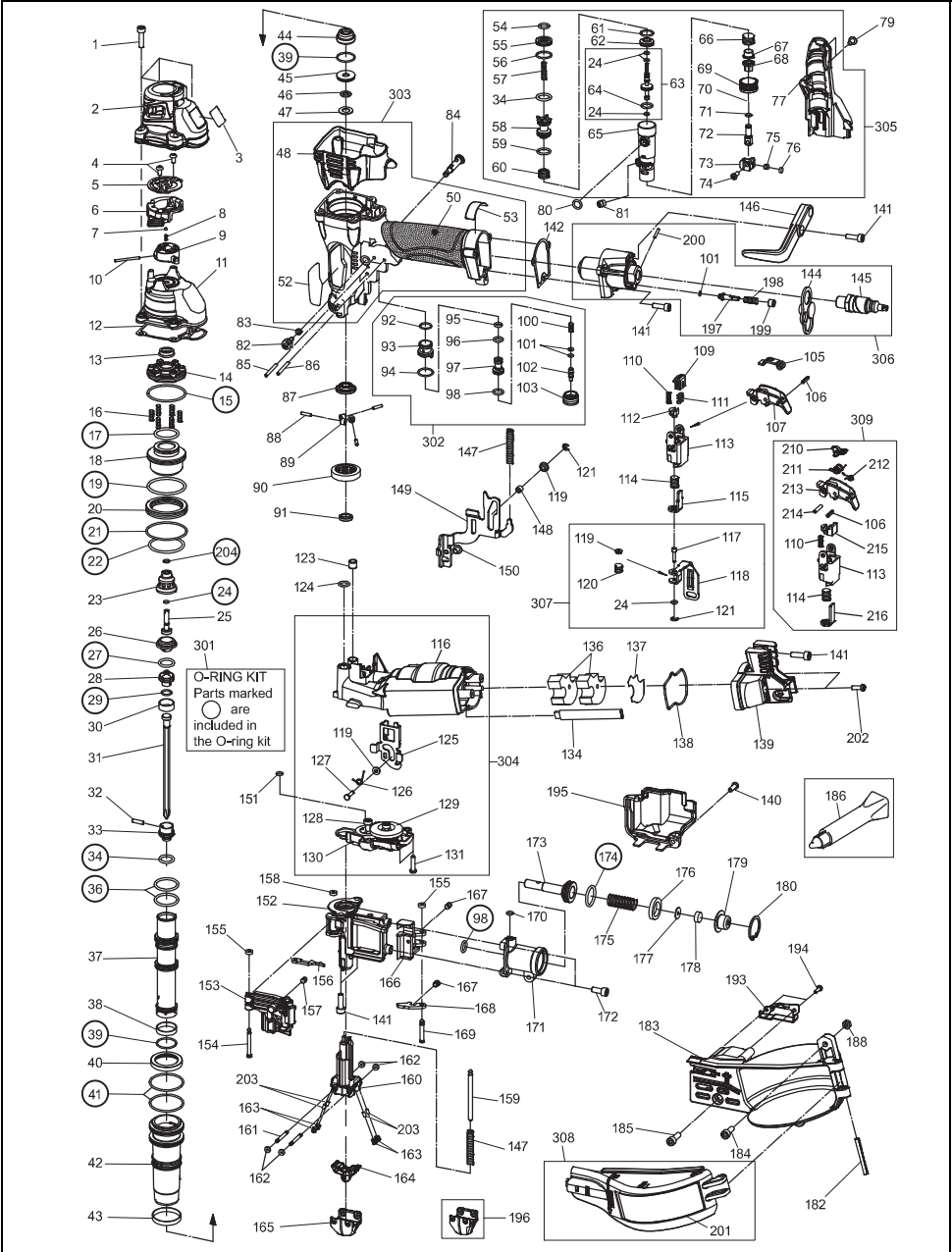
Suplemento a la instrucción para la operación

Según la Norma Europea EN 792-13, la regulación es válida desde el 1 de enero de 2001, que todas las herramientas remachadoras de clavos, con actuación por contacto, se deben marcar con el símbolo "No utilice en andamios y escalas", y no deben ser utilizados para un uso específico, por ejemplo:

- * cuando el cambio de una posición de clavado a otra implica el uso de andamios, escaleras, escalas, o construcciones semejantes a escala, ej. listones de techo,
- * cierre de cajas o cajones,
- * instalación de sistemas de seguridad de transporte ej. en los vehículos y vagones.

HVR41G4(CE)

EXPLODED VIEW AND SPARE PARTS LIST EINZELTEILDARSTELLUNG UND ERSATZEILLISTE SCHEMA ECLATE ET LISTE DES PIÉCES DE RECHANGE ESPLOSO DEI COMPONENTI DE ELENCO DELLE PARTI DI RICAMBIO DESPIECE DE LA MAQUINA Y LISTA DE RECAMBIOS



HVR41G4(CE)

ITEM NO.	PART NO.	MATERIAL	ENGLISH	DEUTSCH	FRANÇAIS	ITALIANO	ESPAÑOL
1	BB40210	Steel	SCREW M5X20	SCHRAUBE M5 X 20	VIS M5 X 20	VITE 5 X 20	TORNILLO M5 X 20
2	FS14449	Thermoplastic elastomer	CYLINDER CAP PROTECTOR	ZYLINDERKAPPENSCHUTZ	PROTECTEUR DE CHAPEAU DE CYLINDRE	PROTEZIONE DEL CAPPELLO DI CILINDRO	GUARDIA DE CASQUETE DE CILINDRO
3	FS13774	Polyethylene terephthalate	INSTRUCTION LABEL	HINWEISAUFKLEBER	ÉTIQUETTE D'INSTRUCTION	TARGHETTA DI ISTRUZIONI	ETIQUETA DE INSTRUCCIONES
4	BB41406	Steel	SCREW 4X8	SCHRAUBE 4 X 8	VIS 4 X 8	VITE 4 X 8	TORNILLO 4 X 8
5	FS14377	Steel	DIAL PLATE	SCHEIBENPLATTE	PLAQUE DE CADRAN	PIASTRA MANOPOLA	PLATINA DEL DIAL
6	FS14376	Polyacetal	DIAL GUIDE	SCHLEIFENFÜHRUNG	GUIDE DE CADRAN	GUIDA MANOPOLA	GUÍA DEL DIAL
7	LL71806	Steel	STEEL BALL 3	STAHLKUGEL 3	BILLE D'ACIER 3	SFERA D'ACCIAIO 3	BOLA DE ACERO 3
8	KK23981	Steel	COMPRESSION SPRING 3981	DRUCKFEDER 3981	RESSORT À PRESSION 3981	MOLLA DI COMPRESSIONE 3981	MUELLE DE COMPRESIÓN 3981
9	FS14375	Polyacetal	CHANGEOVER DIAL	UMSCHALTSCHLEIBE	CADRAN DE COMMUTATION	MANOPOLA DI COMMUTAZIONE	DIAL DE CONMUTACIÓN
10	FF31581	Steel	PIN 1581	STIFT 1581	GOUPILLE 1581	PERNO 1581	PERNO 1581
11	FS14347	Aluminum	CYLINDER CAP	ZYLINDERDEKEL	COUVECLE DE CYLINDRE	COPERCHIO CILINDRO	TAPA DEL CILINDRO
12	FS14351	Aluminum+Rubber	CYLINDER CAP SEAL	ZYLINDERDEKELDICHTUNG	JOINT DE COUVERCLE DE CYLINDRE	GUARNIZIONE COPERCHIO CILINDRO	JUNTA DE LA TAPA DEL CILINDRO
13	FS13447	Urethane	EXHAUST SEAL	AUSLASSSCHEIBE	RONDELLE D'ÉCHAPPEMENT	RONDELLA DI SCARICA	ARANDELA DE ESCAPE
14	FS14348	Polyacetal	HEAD VALVE GUIDE A	KOPFVENTILFÜHRUNG A	GUIDE DE CLAPET DE TÊTE A	GUIDA-TESTA VALVOLA A	GUÍA VALVULA DE CABEZAL A
15	HH19763	Rubber	O-RING 1 A 2X39,5	O-RING 1A 2 X 39,5	JOINT TORIQUE 1 A 2 X 39,5	O-RING 1 A 2 X 39,5	ANILLO TÓRICO 1 A 2 X 39,5
16	KK23650	Steel	COMPRESSION SPRING 3650	DRUCKFEDER 3650	RESSORT À PRESSION 3650	MOLLA DI COMPRESSIONE 3650	MUELLE DE COMPRESIÓN 3650
17	HH11147	Rubber	O-RING ARP568-119	O-RING ARP568-119	JOINT TORIQUE ARP568-119	O-RING ARP568-119	ANILLO TÓRICO ARP568-119
18	FS13451	Polyacetal	HEAD VALVE PISTON	KOPFVENTILKOLBEN	PISTON CLAPET DE TÊTE	STANTUFFO VALVOLA DI TESTA	EMBOLO VALVULA DEL CABEZAL
19	HH19708	Rubber	O-RING 1 A 2,6X39,5	O-RING 1A 2,6 X 39,5	JOINT TORIQUE 1 A 2,6 X 39,5	O-RING 1 A 2,6 X 39,5	ANILLO TÓRICO 1 A 2,6 X 39,5
20	FS13452	Polyacetal	HEAD VALVE GUIDE B	KOPFVENTILFÜHRUNG B	GUIDE DE CLAPET DE TÊTE B	GUIDA-TESTA VALVOLA B	GUÍA VALVULA DE CABEZAL B
21	HH14151	Rubber	O-RING ASS68-029	O-RING ARP568-029	JOINT TORIQUE ARP568-029	O-RING ARP568-029	ANILLO TÓRICO ARP568-029
22	HH14159	Rubber	O-RING ASS68-127	O-RING ARP568-127	JOINT TORIQUE ARP568-127	O-RING ARP568-127	ANILLO TÓRICO ARP568-127
23	FS14350	Aluminum	PISTON STOP HOLDER	KOLBENSCHLAGHALTER	SUPPORT DE BUTÉE DE PISTON	SUPPORTO ARRESTO PISTONE	SOPORTE DEL PISTÓN
24	HH19707	Rubber	O-RING 1 A 1,4X2,5	O-RING 1 A 1,4 X 2,5	JOINT TORIQUE 1 A 1,4 X 2,5	O-RING 1 A 1,4 X 2,5	ANILLO TÓRICO 1 A 1,4 X 2,5
25	FS14346	Steel	CHANGEOVER SHAFT	UMSCHALTWELLE	ARBRE DE COMMUTATION	ALBERO DI COMMUTAZIONE	EJE DE CONMUTACIÓN
26	FS13448	Urethane	PISTON STOP	KOLBENANSCHLAG	BUTÉE DE PISTON	FERMO STANTUFFO	TOPE EMBOLO
27	HH11224	Rubber	O-RING 1 B P14	O-RING 1 B P14	JOINT TORIQUE 1 B P14	O-RING 1 B P14	ANILLO TÓRICO 1 B P14
28	FS14400	Steel	PISTON CAP	KOLBENDECKEL	CAPUCHON DE PISTON	CAPPUCCIO PISTONE	TAPA DEL PISTÓN
29	HH19117	Rubber	O-RING 1 A 1,5X8	O-RING 1A 1,5 X 8	JOINT TORIQUE 1 A 1,5 X 8	O-RING 1 A 1,5 X 8	ANILLO TÓRICO 1 A 1,5 X 8
30	FS13820	Rubber	PISTON BAND	KOLBENBAND	BANDE DE PISTON	GUARNIZIONE A NASTRO PISTONE	BANDA DEL PISTÓN
31	FS14355	Steel	BIT	BIT	EMBOUT	PUNTA	BROCA
32	FF31539	Steel	PIN 1539	STIFT 1539	GOUPILLE 1539	PERNO 1539	PERNO 1539
33	FS14387	Steel	MAIN PISTON	ARBEITSKOLBEN	PISTON PRINCIPAL	PISTONE PRINCIPALE	PISTÓN PRINCIPAL
34	HH11131	Rubber	O-RING 1 AP11	O-RING 1 AP11	JOINT TORIQUE 1 AP11	O-RING 1 AP11	ANILLO TÓRICO 1 AP11
36	HH11108	Rubber	O-RING 1 AP22	O-RING 1 AP22	JOINT TORIQUE 1 AP22	O-RING 1 AP22	ANILLO TÓRICO 1 AP22
37	FS14352	Aluminum	CYLINDER	ZYLINDER	CYLINDRE	CILINDRO	CILINDRO
38	FS14353	Rubber	CHECK VALVE	RÜCKSCHLAGVENTIL	CLAPET ANTI-RETOUR	VALVOLA DI NON RITORNO	VALVULA DE RETENCIÓN
39	HH19170	Rubber	O-RING 1 A 1,5X18,2	O-RING 1A 1,5 X 18,2	JOINT TORIQUE 1 A 1,5 X 18,2	O-RING 1 A 1,5 X 18,2	ANILLO TÓRICO 1 A 1,5 X 18,2
40	FS13458	Urethane	CYLINDER RING SEAL	ZYLINDERRINGDICHTUNG	BAGUE D'ÉTANCHÉITÉ DE CYLINDRE	ANELLO DI TENUTA CILINDRO	JUNTA TÓRICA DEL CILINDRO
41	HH14028	Rubber	O-RING ASS68-028	O-RING ARP568-028	JOINT TORIQUE ARP568-028	O-RING ARP568-028	ANILLO TÓRICO ARP568-028
42	FS14354	Polyacetal	CYLINDER GUIDE	ZYLINDERFÜHRUNG	GUIDE DE CYLINDRE	GUIDA CILINDRO	GUÍA DEL CILINDRO
43	FS13808	Rubber	CHECK VALVE B	RÜCKSCHLAGVENTIL	CLAPET ANTI-RETOUR	VALVOLA DI NON RITORNO	VALVULA DE RETENCIÓN
44	FS13464	Urethane	BUMPER	STOSSDÄMPFER	AMORTISSEUR	AMMORTIZZATORE	AMORTIGUADOR
45	FS13559	Steel	BIT GUIDE	BIT-FÜHRUNG	GUIDE D'EMBOUT	GUIDA PUNTA	GUÍA DE LA BROCA
46	FS13561	Steel	BIT RING	BIT-RING	BAGUE D'EMBOUT	ANELLO PUNTA	ARO DE LA BROCA
47	EE39910	Steel	PLAIN WASHER 8,5X16X1	UNTERLEGSCHLEIBE 8,5 X 16 X 1	RONDELLE 8,5 X 16 X 1	ROSETTA 8,5 X 16 X 1	ARANDELA 8,5 X 16 X 1
48	FS14369	Thermoplastic elastomer	BODY PROTECTOR	GEHÄUSESCHUTZ	PROTECTION DU BOÎTIER	PROTEZIONE CORPO	PROTECTOR DE LA CARCASA
50	HA10971	Rubber	GRIP COVER	GRIFBELAG	RÈVÈTEMENT DE POIGNÉE A	RIVESTIMENTO DI INFIORATURA A	REVESTIMIENTO DE SUJECIÓN A
52	FS14384	Polyethylene terephthalate	LOGO TYPE LABEL	FRANCO-HEFTZUFKLEBER	ÉTIQUETTE DU LOGO	ETICHETTA LOGO	ETIQUETA DEL LOGO TIPO
53	FS13775	Polyethylene terephthalate	OIL CAUTION LABEL	ÖL-VORSICHTSAUFKLEBER	ÉTIQUETTE DE PRÉCAUTION LIÈE À L'HUILE	ETICHETTA AVVERTENZA OLIO	ETIQUETA DE ADVERTENCIA DE ACEITE
54	HH19131	Rubber	O-RING 1 A 1,9X9,2	O-RING 1A 1,9 X 9,2	JOINT TORIQUE 1 A 1,9 X 9,2	O-RING 1 A 1,9 X 9,2	ANILLO TÓRICO 1 A 1,9 X 9,2
55	FS14360	Polyacetal	STOP VALVE CAP	ABSPERRVENTILKAPPE	CAPUCHON DE VALVE D'ARRÊT	CAPPUCCIO VALVOLA DI ARRESTO	TAPA DE LA VALVULA DE CIERRE
56	HH19746	Rubber	O-RING 1 A 1,5X15,5	O-RING 1A 1,5 X 15,5	JOINT TORIQUE 1 A 1,5 X 15,5	O-RING 1 A 1,5 X 15,5	ANILLO TÓRICO 1 A 1,5 X 15,5
57	KK23980	Steel	COMPRESSION SPRING 3980	DRUCKFEDER 3980	RESSORT À PRESSION 3980	MOLLA DI COMPRESSIONE 3980	MUELLE DE COMPRESIÓN 3980
58	FS14362	Polyacetal	STOP VALVE PISTON	ABSPERRVENTILKOLBEN	PISTON DE VALVE D'ARRÊT	PISTONE VALVOLA DI ARRESTO	PISTÓN DE LA VALVULA DE CIERRE
59	HH19754	Rubber	O-RING 1 A 1,9X11	O-RING 1A 1,9 X 11	JOINT TORIQUE 1 A 1,9 X 11	O-RING 1 A 1,9 X 11	ANILLO TÓRICO 1 A 1,9 X 11
60	KK23954	Steel	COMPRESSION SPRING 3954	DRUCKFEDER 3954	RESSORT À PRESSION 3954	MOLLA DI COMPRESSIONE 3954	MUELLE DE COMPRESIÓN 3954

HVR41G4(CE)

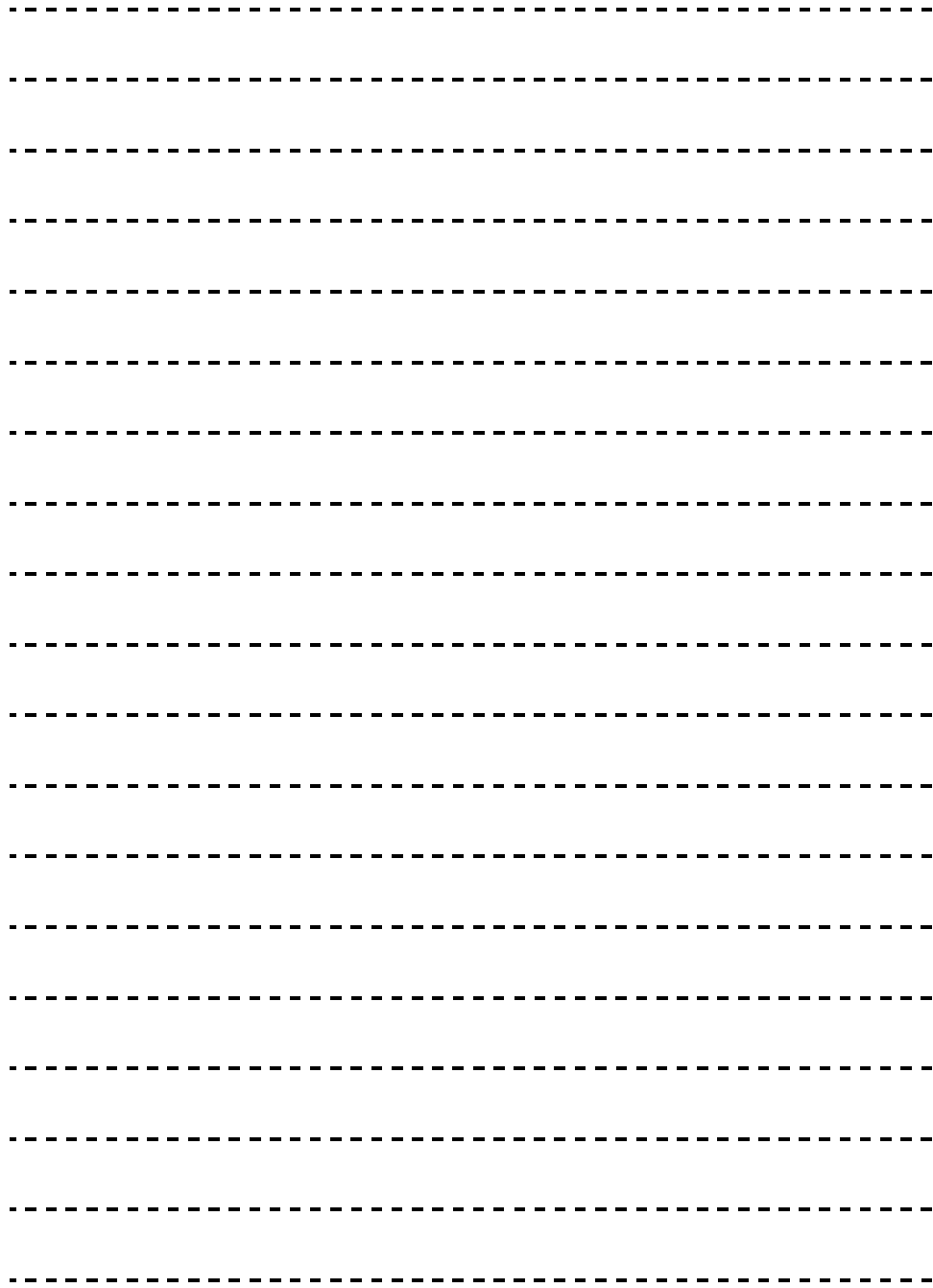
ITEM NO.	PART NO.	MATERIAL	ENGLISH	DEUTSCH	FRANÇAIS	ITALIANO	ESPAÑOL
61	HH12105	Rubber	O-RING 1 A 1.5 X 12.8	O-RING 1A 1.5 X 12.8	JOINT TORIQUE 1 A 1.5 X 12.8	O-RING 1 A 1.5 X 12.8	ANILLO TÓRICO 1 A 1.5 X 12.8
62	FS14381	Polyacetal	STOP VALVE STEM GUIDE	ABSPEHRVENTILSCHÄFTLEITUNG	GUIDE DE TIGE DE VALVE D'ARRÊT	GUIDA STELO VALVOLA DI ARRESTO	GUÍA DE LA VALVULA DE CIERRE
63	FS81058	Steel+Rubber	STOP VALVE STEM ASSY	ABSPEHRVENTILSCHÄFTLEITUNG	ENSEMBLE TIGE VALVE D'ARRÊT	CONJUNTO VALVOLA DI ARRESTO	CONJUNTO DE LA VALVULA DE CIERRE
64	HH11165	Rubber	O-RING ARP568-012	O-RING ARP568-012	JOINT TORIQUE ARP568-012	O-RING ARP568-012	ANILLO TÓRICO ARP568-012
65	FS14359	Polyacetal	STOP VALVE HOUSING	ABSPEHRVENTILGEHÄUSE	CARTER DE VALVE D'ARRÊT	ALLOGGIAMENTO VALVOLA DI ARRESTO	ALCOMIENTO DE LA VALVULA DE CIERRE
66	KK23982	Steel	COMPRESSION SPRING 3982	DRUCKFEDER 3982	RESSORT À PRESSION 3982	MOLLA COMPRESIONE 3982	MUELLE DE COMPRESIÓN 3982
67	FS14380	Nylon	ADJUST COLLAR	EINSTELLMANSCHETTE	COLLIER DE RÉGLAGE	COLLARE DI REGISTRO	ARO DE AJUSTE
68	FS14700	Steel	ADJUST NUT	EINSTELLMUTTER	ÉCROU DE RÉGLAGE	DADO DI REGISTRO	TUERCA DE AJUSTE
69	HN10026	Nylon	ADJUST DIAL	EINSTELLSCHIBE	DISQUE DE RÉGLAGE	DISCO DI REGOLAZIONE	DISCO DE AJUSTE
70	CN33995	Steel	STOPPER	STOPPER	BUTÉE	APRESTO	TOPE
71	HH11903	Rubber	O-RING 1 A 1.2 X 4	O-RING 1A 1.2 X 4	JOINT TORIQUE 1 A 1.2 X 4	O-RING 1 A 1.2 X 4	ANILLO TÓRICO 1 A 1.2 X 4
72	FS14364	Steel	CONTACT BOLT	KONTAKTSCHRAUBENBOLZEN	BOULON DE CONTACT	BULLONE DI CONTATTO	PERNO DE CONTACTO
73	FS14366	Steel	SELECTOR SWITCH	WAHLSCHALTER	SÉLECTEUR	SELETTORE	COMUNICADOR
74	FS14365	Steel	SELECTOR SHAFT B	SCHALTWELLE B	ARBRE DE SÉLECTEUR B	ALBERO SELETTORE B	EJE SELECTOR B
75	KK23955	Steel	COMPRESSION SPRING 3955	DRUCKFEDER 3955	RESSORT À PRESSION 3955	MOLLA COMPRESIONE 3955	MUELLE DE COMPRESIÓN 3955
76	FS14367	Steel	WASHER	UNTERLEGSCHIBE	RONDELLE	ROSETTA	ARANDELA
77	FS14368	Nylon	STOP VALVE COVER	ABSPEHRVENTILDECKEL	COPERCHIO VALVE D'ARRÊT	COPERCHIO VALVOLA DI ARRESTO	CUBIERTA DE LA VALVULA DE CIERRE
79	BB41408	Steel	SCREW 5X8	SCHRAUBE 5 X 8	VIS 5 X 8	VITE 5 X 8	TORNILLO 5 X 8
80	HH11117	Rubber	O-RING 1 A P8	O-RING 1 A P8	JOINT TORIQUE 1 A P8	O-RING 1 A P8	ANILLO TÓRICO 1 A P8
81	FS13556	Urethane	PIPE	ROHR	TUYAU	TUBO	TUBO
82	CN35074	Nylon	TRIGGER LOCK DIAL	BETÄTIGUNGSSCHLEIFENRÖHRE	DISQUE DE BLOCAGE DE LA COMMANDE	SIICURA GRILLETTO	DIAL DE BLOQUEO DEL DISPARADOR
83	KK23507	Steel	COMPRESSION SPRING 3507	DRUCKFEDER 3507	RESSORT À PRESSION 3507	MOLLA COMPRESIONE 3507	MUELLE DE COMPRESIÓN 3507
84	CN35075	Nylon	TRIGGER LOCK LEVER	BETÄTIGUNGSSCHLEIFENHEBEL	BIEN DE BLOCAGE DE LA COMMANDE	LEVA DI SICURA GRILLETTO	PALANCA BLOQUEO DE ACCIONAMIENTO
85	FF21254	Steel	ROLL PIN 3 X 28	ROLLENBOLZEN 3 X 28	TOUILLON DE CILINDRE 3X28	PERNO DI CILINDRANTE 3X28	PERNO DE RODILLO 3 X 28
86	FF21279	Steel	ROLL PIN 3 X 26	ROLLENBOLZEN 3 X 26	TOUILLON DE CILINDRE 3X26	PERNO DI CILINDRANTE 3X26	PERNO DE RODILLO 3 X 26
87	FS70125	Steel	GEAR GUIDE A UNIT	GETRIEBEFÜHRUNGSKOMPL.	UNITÉ DU GUIDE D'ENGRENAGE A	UNITÀ GUIDA INGRANAGGIO A	GUÍA DE ENGRANAJE UNIDA
88	FF31538	Steel	PIN 1538	STIFT 1538	GOUILLON 1538	PERNO 1538	PERNO 1538
89	FS14337	Steel	GEAR ROLLER	GETRIEBEROLLE	ROULEAU D'ENGRENAGE	RULLO INGRANAGGIO	RODILLO DE ENGRANAJE
90	FS14336	Steel	GEAR E	GETRIEBE E	ENGRENAGE E	INGRANAGGIO E	ENGRANAJE E
91	FS14373	Steel	GEAR GUIDE B	GETRIEBEFÜHRUNG B	GUIDE D'ENGRENAGE B	GUIDA INGRANAGGIO B	GUÍA DE ENGRANAJE B
92	HH19720	Rubber	O-RING 1 A 1.5 X 11.5	O-RING 1 A 1.5 X 11.5	JOINT TORIQUE 1 A 1.5 X 11.5	O-RING 1 A 1.5 X 11.5	ANILLO TÓRICO 1 A 1.5 X 11.5
93	TA16092	Polyacetal	TRIGGER VALVE HOUSING	BETÄTIGUNGSVENTILGEHÄUSE	CARTER DE SOUPAPE DE DÉCLenchEMENT	ALLOGGIO DELLA VALVOLA DI INNESCO	CUBIERTA DE VALVULA DEL DISPARADOR
94	HH19721	Rubber	O-RING 1 A 1.5 X 13.6	O-RING 1 A 1.5 X 13.6	JOINT TORIQUE 1 A 1.5 X 13.6	O-RING 1 A 1.5 X 13.6	ANILLO TÓRICO 1 A 1.5 X 13.6
95	HH11119	Rubber	O-RING 1 AP6	O-RING 1 A P6	JOINT TORIQUE 1 A P6	JOINT TORIQUE 1 A P6	ANILLO TÓRICO 1 A P6
96	HH11209	Rubber	O-RING 1 BP7	O-RING 1 B P7	JOINT TORIQUE 1 B P7	O-RING 1 B P7	ANILLO TÓRICO 1 B P7
97	TA16091	Polyacetal	PILOT VALVE	STEUERVENTIL	VANNI-PILOTE	VALVOLA DI COMANDO	VALVULA DE CONTROL
98	HH11113	Rubber	O-RING 1 AP9	O-RING 1 A P9	JOINT TORIQUE 1 A P9	JOINT TORIQUE 1 A P9	ANILLO TÓRICO 1 A P9
100	KK23666	Steel	COMPRESSION SPRING 3666	DRUCKFEDER 3666	RESSORT À PRESSION 3666	MOLLA COMPRESIONE 3666	MUELLE DE COMPRESIÓN 3666
101	HH11901	Rubber	O-RING 1 B 1.4 X 2.5	O-RING 1B 1.4 X 2.5	JOINT TORIQUE 1 B 1.4 X 2.5	O-RING 1 B 1.4 X 2.5	ANILLO TÓRICO 1 B 1.4 X 2.5
102	TA16090	Steel	TRIGGER VALVE STEM	BETÄTIGUNGSVENTILSCHÄFT	TIGE DE SOUPAPE DE COMMANDE	STELO VALVOLA DI AZIONAMENTO	VASTAGO VALVULA DE ACCIONAMIENTO
103	TA16089	Polyacetal	TRIGGER VALVE CAP	BETÄTIGUNGSVENTILDECKEL	CAPUCHON DE SOUPAPE DE COMMANDE	COPERCHIO VALVOLA DI AZIONAMENTO	CAPERUZA VALVULA DE ACCIONAMIENTO
105	TA17137	Steel	CONTACT LEVER	KONTAKTHEBEL	LEVER DE CONTACT	LEVA DI CONTATTO	PALANCA DE CONTACTO
106	FF22412	Stainless steel	ROLL PIN 3X12	ROLLENBOLZEN 3 X 12	TOUILLON DE CILINDRE 3X12	PERNO DI CILINDRANTE 3X12	PERNO DE RODILLO 3 X 12
107	TA17136	Polyacetal	TRIGGER	BETÄTIGUNGSSHEBEL	LEVER DE COMMANDE	GRILLETTO	DISPARADOR
109	CN34800	Nylon	LEVER	HEBEL	LEVER	LEVA	PALANCA
110	KK23282	Steel	COMPRESSION SPRING 3282	DRUCKFEDER 3282	RESSORT À PRESSION 3282	MOLLA COMPRESIONE 3282	MUELLE DE COMPRESIÓN 3282
111	CN34500	Steel	LEVER SPRING	HEBELFÜHRUNG	RESSORT DE LEVER	MOLLA LEVA	MUELLE DE LA PALANCA
112	FS14399	Nylon	ARM GUIDE PIN	ARMFÜHRUNGSSTIFT	GOUILLON DE GUIDE DE BRAS	PERNO GUIDA DEL BRACCIO	PERNO DE GUÍA DEL BRAZO
113	CN36243	Nylon	ARM GUIDE	ARMFÜHRER	GUIDE DE BRAS DE CONTACT	GUIDA DEL BRACCIO DI CONTATTO	GUÍA DEL BRAZO
114	KK29027	Steel	COMPRESSION SPRING 9027	DRUCKFEDER 9027	RESSORT À PRESSION 9027	MOLLA COMPRESIONE 9027	MUELLE DE COMPRESIÓN 9027
115	CN36244	Steel	CONTACT ARM A	KONTAKTARM A	BRAS DE CONTACT A	BRACCIO DI CONTATTO A	BRAZO DE CONTACTO A
116	FS81087		AIR MOTOR ASSY	LUFTMOTORBAUGRUPPE	ENSEMBLE MOTEUR À AIR COMPRIMÉ	GRUPPO MOTORE ARIANICO	CONJUNTO MOTOR DE AIRE
117	FS14389	Steel	CONTACT PIN	KONTAKTSTIFT	BROCHE DE CONTACT	PERNO DI CONTATTO	PASADOR DE CONTACTO
118	FS14340	Steel	CONTACT ARM B	KONTAKTARM B	BRAS DE CONTACT B	BRACCIO DI CONTATTO B	BRAZO DE CONTACTO B
119	FS14342	Steel	ROLLER A	ROLLE A	ROULEAU A	RULLO A	RODILLO A
120	KK29013	Steel	COMPRESSION SPRING 9013	DRUCKFEDER 9013	RESSORT À PRESSION 9013	MOLLA COMPRESIONE 9013	MUELLE DE COMPRESIÓN 9013

HVR41G4(CE)

ITEM NO.	PART NO.	MATERIAL	ENGLISH	DEUTSCH	FRANÇAIS	ITALIANO	ESPAÑOL
121	JJ10104	Steel	E-RING 2,3	E-RING 2,3	BAGUE 2,3	BAGUE 2,3	ANILLO EN E2,3
123	FS13554	Urethane	PIPE	ROHR	TUYAU	TUBO	TUBO
124	HH19913	Rubber	O-RING 1 A 1,8x8	O-RING 1 A 1,8 X 8	JOINT TORIQUE 1 A 1,8 X 8	O-RING 1 A 1,8 X 8	ANILLO TÓRICO 1 A 1,8 X 8
125	FS14335	Steel	BLOCK PLATE	SPERRPLATTE	PLAQUE DE BLOCAGE	PIASTRA DI BLOCCAGGIO	PLACA DE BLOQUE
126	KK33368	Steel	TORSION SPRING 3368	TORSIONSFEDER 3368	RESSORT DE TORSION 3368	MOLLA DI TORSIONE 3368	MUELLE DE TORSIÓN 3368
127	FS14341	Steel	ROLLER PIN	ROLLENSTIFT	AXE DE GALET	SPINA RULLO	PASADOR DE RODILLO
128	FS70076	Steel	GEAR C UNIT	GETRIEBE C KOMPL.	UNITÉ D'ENGRENAGE C	UNITÀ INGRANAGGIO C	UNIDAD ENGRANAJE C
129	FS70074	Steel	GEAR B UNIT	GETRIEBE B KOMPL.	UNITÉ D'ENGRENAGE B	UNITÀ INGRANAGGIO B	UNIDAD ENGRANAJE B
130	FS70075	Steel	GEAR BOX B ASSY	GETRIEBEGEHÄUSEBAUGRUPPE B	ENSEMBLE BOÎTE D'ENGRENAGES B	GRUPPO SCATOLA INGRANAGGIO B	CONJUNTO CAJA DE ENGRANAJES B
131	AA04504	Steel	TAP TIGHT (B)4X16 CF	SCHWEISSCHRAUBE (B) 4 X 16 CF	TARAUD ÉTANÇHE (B) 4 X 16 CF	MASCHIO SERRATO (B) 4 X 16 CF	TORNILLO ROSCADO (B) 4 X 16 CF
134	FS81052	Polyester+Polyvinylidone+Stainless steel	FILTER ASSY	FILTERBAUGRUPPE	ENSEMBLE FILTRE	GRUPPO FILTRO	CONJUNTO FILTRO
136	FS14334	Polyester+Polyvinylidone	EXHAUST FILTER 1	AUSLASSFILTER 1	FILTRE ECHAPPEMENT 1	FILTRO DI SCARICA 1	FILTRO DE ESCAPE 1
137	FS14333	Stainless steel	EXHAUST FILTER 2	AUSLASSFILTER 2	FILTRE ECHAPPEMENT 2	FILTRO DI SCARICA 2	FILTRO DE ESCAPE 2
138	FS14657	Rubber	MOTOR BRACKET SEAL	MOTORHALTERDICHTUNG	JOINT DE SUPPORT DE MOTEUR	GUARNIZIONE STAFFA MOTORE	JUNTA DEL SOPORTE DEL MOTOR
139	FS14329	Nylon	MOTOR BRACKET	MOTORHALTER	SUPPORT DE MOTEUR	STAFFA MOTORE	SOPORTE DEL MOTOR
140	AA21574	Steel	PAN HEAD SCREW 4X12 CF	FLACHKOPFSCHRAUBE 4X12 CF	VIS À TÊTE PLATE 4X12 CF	VITE A TESTA BOMBATA 4X12 CF	TORNILLO DE CABEZA PLANA 4X12 CF
141	BB40223	Steel	SCREW M5X16	SCHRAUBE M5 X 16	VIS M5 X 16	VITE 5 X 16	TORNILLO M5 X 16
142	FS13544	Steel+Rubber	END CAP SEAL	ENDSTÖPSEL/SIEGEL	SCÉAU DE CHAPEAU D'EXTREMITÉ	SIGILLO DI CAPPELLO DI ESTREMITÀ	SELLO DE CASQUETE DE EXTREMIDAD
144	HN10316	Thermoplastic elastomer	END PLUG CAP	ENDENSTECKERKAPPE	CAPOT DE PRISE D'EXTREMITÉ	CAPPUCINO DI PRESA D'ESTREMITÀ	CAPERUZA DEL ENCHUFE DE EXTREMIDAD
145	HN70264	Steel+Rubber	AIR PLUG H-FPM	LUFTSTECKER H-FPM	PRISE D'AIR H-FPM	PRESA DELL'ARIA H-FPM	ENCHUFE DEL AIRE H-FPM
146	CN35200	Nylon	HOOK	HAKEN	CROCHET	GANCIO	GANCHO
147	KK29042	Steel	COMPRESSION SPRING 9042	DRUCKFEDER 9042	RESSORT À PRESSION 9042	MOLLA DI COMPRESIONE 9042	MUELLE DE COMPRESIÓN 9042
148	FS14343	Steel	ROLLER B	ROLLE B	ROULEAU B	RULLO B	RODILLO B
149	FS70173	Steel	CONTACT ARM C UNIT	KONTAKTARM C	BRAS DE CONTACT C	BRACCIO DI CONTATTO C	BRAZO DE CONTACTO C
150	BB41409	Steel	SCREW M5X6	SCHRAUBE M5 X 6	VIS M5 X 6	VITE 5 X 6	TORNILLO M5 X 6
151	HH11115	Rubber	O-RING 1A P3	O-RING 1 A P3	JOINT TORIQUE 1 A P3	JOINT TORIQUE 1 A P3	ANILLO TÓRICO 1 A P3
152	FS14659	Steel	NOSE	NAGLERNASE	NEZ DE CLOUEUR	PUNTA SPARACHIODI	CUADRANTE DE AJUSTE
153	FS70171	Steel	DOOR	TÜR	PORTE	SPORTELLO	PUERTA
154	FF41819	Steel	SETP PIN 1819	STUFENBOLZEN 1819	BOULON À GRADINS 1819	PERNO SCALARE 1819	PERNO ESCALONADO 1819
155	EE39602	Urethane	RUBBER WASHER 7	GUMMISCHLEIBE 7	DISQUE DE CAOUTCHOUC 7	RONDELLA IN GOMMA 7	ARANDELO DE CAUCHO 7
156	FS13529	Steel	CHECK PAWL	SPERRKLINKE	CLIQUET D'ARRÊT	NOTTOLINO DI ARRESTO	TRINQUETE
157	KK23754	Steel	COMPRESSION SPRING 3754	DRUCKFEDER 3754	RESSORT À PRESSION 3754	MOLLA DI COMPRESIONE 3754	MUELLE DE COMPRESIÓN 3754
158	EE39625	Urethane	RUBBER WASHER	GUMMISCHLEIBE	DISQUE DE CAOUTCHOUC	RONDELLA IN GOMMA	ARANDELO DE CAUCHO
159	FF31606	Steel	PIN 1606	STIFT 1606	GOUPILLE 1606	SPINA 1606	PIN 1606
160	FS14660	Steel	NOSE TOP	NASENÖBERTEIL	NEZ	ESTREMITÀ SUPERIORE	PARTE SUPERIOR DEL PICO
161	FF41852	Steel	STEP PIN 1852	STUFENBOLZEN 1852	BOULON À GRADINS 1852	PERNO SCALARE 1852	PERNO ESCALONADO 1852
162	EE39609	Urethane	RUBBER WASHER 1,8X6X2	GUMMISCHLEIBE 1,8X6X2	DISQUE DE CAOUTCHOUC 1,8X6X2	RONDELLA IN GOMMA 1,8X6X2	ARANDELO DE CAUCHO 1,8X6X2
163	KK23953	Steel	COMPRESSION SPRING 3953	DRUCKFEDER 3953	RESSORT DE COMPRESION 3953	MOLLA DI COMPRESIONE 3953	MUELLE DE COMPRESIÓN 3953
164	FS14791	Steel	VERTICAL GUIDE	VERTIKALE FÜHRUNG	GUIDE VERTICAL	GUIDA VERTICALE	GUÍA VERTICAL
165	FS14316	Urethane	CONTACT TOP	KONTAKTOBERTEIL	CONTACT SUPÉRIEUR	ESTREMITÀ SUPERIORE CONTATTO	PARTE SUPERIOR DEL CONTACTO
166	FS13521	Steel	FEED PAWL	VORSCHUBKLINKE	CLIQUET D'AVANCE	NOTTOLINO DI ALIMENTAZIONE	TRINQUETE DE ALIMENTACIÓN
167	KK23457	Steel	COMPRESSION SPRING 3457	DRUCKFEDER 3457	RESSORT DE COMPRESION 3457	MOLLA DI COMPRESIONE 3457	MUELLE DE COMPRESIÓN 3457
168	FS13523	Steel	CONTACT STOPPER	KONTAKTSTOPPER	BUTÉE DE CONTACT	ARRESTO CONTATTO	TOPE DE CONTACTO
169	FF41820	Steel	STEP PIN 1820	STUFENBOLZEN 1820	BOULON ÉCHELON 1820	PERNO SCALINATO 1820	PERNO ESCALONADO 1820
170	HH19125	Rubber	O-RING 1 A 1,6X4,2	O-RING 1 A 1,6 X 4,2	JOINT TORIQUE 1 A 1,6 X 4,2	O-RING 1 A 1,6 X 4,2	ANILLO TÓRICO 1 A 1,6 X 4,2
171	FS14393	Aluminum	NOSE B	NASE B	NEZ B	ESTREMITÀ B	PICO B
172	BB40406	Steel	SCREW M5X12	SCHRAUBE M5 X 12	VIS M5 X 12	VITE 5 X 12	TORNILLO M5 X 12
173	FS13522	Aluminum	FEED PISTON	VORSCHUBKOLBEN	PISTON D'ALIMENTATION	PISTONE DI ALIMENTAZIONE	PISTÓN DE ALIMENTACIÓN
174	HH11107	Rubber	O-RING 1A P18	O-RING 1 A P18	JOINT TORIQUE 1 A P18	JOINT TORIQUE 1 A P18	ANILLO TÓRICO 1 A P18
175	KK23899	Steel	COMPRESSION SPRING 3899	DRUCKFEDER 3899	RESSORT À PRESSION 3899	MOLLA DI COMPRESIONE 3899	MUELLE DE COMPRESIÓN 3899
176	CN31953	Urethane	REPLACED FEED PISTON STOP	AUSTAUSCHVORSCHUBKOLBEN-ANSCHLAG	BUTEE DE PISTON D'ALIMENTATION REMPLACÉE	ARRESTO PISTONE DI ALIMENTAZIONE SOSTITUITO	TOPE PISTÓN DE ALIMENTACION REINSTALADO
177	EE39907	Steel	PLANE WASHER 3,1 X 12 X 0,8	QUARTE UNTERLEGSCHLEIBE 3,1 X 12 X 0,8	RONDELLE LISSE 3,1 X 12 X 0,8	RONDELLA PIANA 3,1 X 12 X 0,8	ARANDELA LISA 3,1 X 12 X 0,8
178	FS13778	Polyester+Polyvinylidone	FEED FILTER	VORSCHUBFILTER	FILTRE D'ALIMENTATION	FILTRO ALIMENTAZIONE	FILTRO DE ALIMENTACIÓN
179	CN37995	Steel	SPRING COLLAR	FEDERTELLER	COLLET DE RESSORT	COLLARE DI MOLLA	MUELLE DE ARO
180	JJ22408	Stainless steel	C-RING 24	C-RING 24	BAGUE 24	C-RING 24	ANILLO EN C24

HVR41G4(CE)

ITEM NO.	PART NO.	MATERIAL	ENGLISH	DEUTSCH	FRANÇAIS	ITALIANO	ESPAÑOL
182	FF22203	Stainless steel	W.S. ROLL PIN 4X40	WELLFEDER-SPANNSTIFT 4X40	GOUPILLE ÉLASTIQUE W.S. 4X40	SPINA ELASTICA W.S. 4X40	PASADOR DE RODILLO W.S. 4X40
183	FS70168	Nylon+Brass	MAGAZINE UNIT	MAGAZINEINHEIT	MAGASIN	CARICATORE	UNIDAD DE CARGADOR
184	BB40408	Steel	SCREW 5X14	SCHRAUBE 5 X 14	VIS 5 X 14	VITE 5 X 14	TORNILLO 5 X 14
185	BB40310	Steel	SCREW 5X16	SCHRAUBE 5 X 16	VIS 5 X 16	VITE 5 X 16	TORNILLO 5 X 16
186	TT05211		MOLYKOTE GREASE EM-30L	MOLYKOTE FETT EM-30L	GRAISSE MOLYKOTE EM-30L	GRASSO MOLYKOTE EM-30L	GRASA MOLYKOTE EM-30L
188	CC43401	Steel	NUT	MUTTER	ECROU	DADO	TUERCA
193	FS14397	Nylon	SENSOR COVER	SENSORKAPPE	COUVERCLE DU CAPTEUR	COPERCHIO SENSORE	CUBIERTA DEL SENSOR
194	AA21580	Steel	PAN HEAD SCREW 3X10 CF	FLACHKOPFSCHRAUBE 3X10 CF	VIS À TÊTE PLATE 3X10 CF	VITE A TESTA BOMBATA 3X10 CF	TORNILLO DE CABEZA PLANA 3X10 CF
195	FS14318	Nylon	ARM COVER	ARMABDECKUNG	CAPOT DU BRAS	COPERCHIO BRACCIO	CUBIERTA DEL BRAZO
196	FS14317	Urethane	CONTACT TOP L	KONTAKTOBERTEIL L	CONTACT SUPÉRIEUR L	ESTREMITÀ SUPERIORE CONTATTO L	PARTE SUPERIOR DE CONTACTO L
197	CN31069	Polyphenylenesulfide	RELIEF VALVE STEM	ÜBERDRUCKVENTILSCHAFTE	TIGE DE SOUPEPE DE DÉCHARGE	STELO VALVOLA DI SICUREZZA	GUÍA DE LA VALVULA DE DESCARGA
198	KK23100	Steel	COMPRESSION SPRING 3100	DRUCKFEDER 3100	RESSORT DE COMPRESSION 3100	MOLLA DI COMPRESIONE 3100	MUELLE DE COMPRESIÓN 3100
199	CN35194	Aluminum	SPACER	DISTANZSTÜCK	ENTRETOISE	DISTANZIALE	ESPACIADOR
200	FF21205	Steel	ROLL PIN 2.5X12	SPANNSTIFT 2.5X12	GOUPILLE ÉLASTIQUE 2.5X12	SPINA ELASTICA 2.5X12	PASADOR DE RODILLO 2.5X12
201	FS14821	Polyethylene terephthalate	WARNING LABEL	WARNAUFKLEBER	ÉTIQUETTE D'AVERTISSEMENT	ETICHETTA DI AVVERTENZA	ETIQUETA DE ADVERTENCIA
202	AA05590	Steel	TAP TIGHT(B)4X20 CF	SCHNIEDSCHRAUBE(B)4X20 CF	TARAU D'ÉTOIT (B)4X20 CF	MASCHIO (B)4X20 CF	LLAVE ESTANCA(B) 4X20 CF
203	FS14684	Rubber	VERTICAL GUIDE BUMPER	VERTIKALER FÜHRUNGSDÄMPFER	TAMPON GUIDE VERTICAL	PARACOLPI GUIDA VERTICALE	AMORTIGUADOR GUÍA VERTICAL
204	HH12904	Rubber	O-RING 1 A 1X6,2	O-RING 1 A 1 X 6,2	JOINT TORIQUE 1 A 1 X 6,2	O-RING 1 A 1 X 6,2	ANILLO TÓRICO 1 A 1 X 6,2
210	TA16138	Steel	S.T. LEVER	S.T. HEBEL	LEVIER S.T.	LEVA S.T.	PALANCA S.T.
211	KK33247	Steel	TORSION SPRING 3247	TORSIONSFEDER 3247	RESSORT DE TORSION 3247	MOLLA TORSIONALE 3247	MUELLE DE TORSIÓN 3247
212	KK33252	Steel	TORSION SPRING 3252	TORSIONSFEDER 3252	RESSORT DE TORSION 3252	MOLLA TORSIONALE 3252	MUELLE DE TORSIÓN 3252
213	CN36293	Polyacetal	TRIGGER	BETÄTIGUNGSHEBEL	LEVIER DE COMMANDE	GRILLETTO	DISPARADOR
214	FF22402	Stainless steel	ROLL PIN 3X16 (LIGHT LOAD)	SPANNSTIFT 3X16 (SCHWACHLAST)	GOUPILLE ÉLASTIQUE 3X16 (CHARGE LÉGÈRE)	SPINA ELASTICA 3X16 (CARICO LEGGERO)	PASADOR DE RODILLO 3X16 (CARGA LIGERA)
215	FS14415	Nylon	CONTACT ARM A GUIDE	KONTAKTARMFÜHRUNG A	GUIDE DE BRAS DE CONTACT A	GUIDA BRACCIO DI CONTATTO A	GUÍA DEL BRAZO DE CONTACTO A
216	CN36291	Steel	CONTACT ARM A	KONTAKTARM A	BRAS DE CONTACT A	BRACCIO DI CONTATTO A	BRAZO DE CONTACTO A
301	FS81086		O-RING KIT	O-RING-KIT	KIT JOINT TORIQUE	KIT O-RING	KIT DE JUNTA TÓRICA
302	TA80140		TRIGGER VALVE ASSY	BETÄTIGUNGSVENTILBAUGRUPPE	ENSEMBLE SOUPEPE DE LEVIER DE COMMANDE	GRUPPO VALVOLA GRILLETTO	CONJUNTO VALVULA ACCIONADORA
303	FS81082		BODY ASSY (HVR41G4-CE)	GEHÄUSEBAUGRUPPE (HVR41G4-CE)	ENSEMBLE CORPS (HVR41G4-CE)	GRUPPO CORPO (HVR41G4-CE)	CONJUNTO CARCASA (HVR41G4-CE)
304	FS81085		AIR MOTOR ASSY	LUFTMOTORBAUGRUPPE	ENSEMBLE MOTEUR À AIR COMPRIMÉ	GRUPPO MOTORE PNEUMATICO	CONJUNTO MOTOR DE AIRE
305	FS70086		STOP VALVE ASSY	ABSPERRVENTILBAUGRUPPE	ENSEMBLE VALVE D'ARRÊT	GRUPPO VALVOLA DI ARRESTO	CONJUNTO DE LA VALVULA DE CIERRE
306	FS70119		END CAP ASSY	ENDKAPPENBAUGRUPPE	ENSEMBLE CAPUCHON	GRUPPO COPERCHIO TERMINALE	CONJUNTO DEL TAPÓN TERMINAL
307	FS70132		CONTACT ARM B ASSY	KONTAKTARMBBAUGRUPPE B	ENSEMBLE BRAS DE CONTACT B	GRUPPO BRACCIO DI CONTATTO B	CONJUNTO DEL BRAZO DE CONTACTO B
308	FS81083		MAGAZINE CAP ASSY	MAGAZINKAPPENBAUGRUPPE	ENSEMBLE CAPOT DE MAGASIN	COPERCHIO TERMINALE CARICATORE	CONJUNTO DE LA TAPA DEL CARGADOR
309	FS81062		ST KIT	ST-KIT	KIT ST	KIT ST	KIT ST



HVR41G4

We hereby declare that the product titled in this instruction manual conforms to the essential health and safety requirements of EC Directives as below.

Directive : Machinery Directive 2006/42/EC

Manufacturer : MAX CO., LTD.
1848, Kawai, Tamamura-machi, Sawa-gun,
Gunma, 370-1117 Japan

This product has been evaluated for conformity with the above directives using the following European standards.

Machinery Directive : EN ISO 12100:2010
EN792-13 :2000+A1 :2008

Title : General Manager, Quality Assurance Department
Address : 1848, Kawai, Tamamura-machi, Sawa-gun,
Gunma, 370-1117 Japan

Authorised complier : MAX,EUROPE BV/Président in
the community Camerastraat 19,1322 BB
Almere, The Netherlands

Wir erklären hiermit, dass das in dieser Bedienungsanleitung beschriebene Produkt mit den maßgeblichen Gesundheits- und Sicherheitsvorschriften der EG-Richtlinien konform ist, wie nachstehend beschrieben.

Richtlinie : Maschinenrichtlinie 2006/42/EC

Hersteller : MAX CO., LTD.
1848, Kawai, Tamamura-machi, Sawa-gun,
Gunma, 370-1117 Japan

Dieses Produkt wurde auf Konformität mit den obigen Richtlinien unter Einhaltung der folgenden europäischen Normen geprüft.

Maschinenrichtlinie : EN ISO 12100:2010
EN792-13 :2000+A1 :2008

Position : Generaldirektor, Abteilung für Qualitätssicherung
Adresse : 1848, Kawai, Tamamura-machi, Sawa-gun,
Gunma, 370-1117 Japan

Autorisierter Entsorger : MAX,EUROPE BV/Präsident in der Gemeinschaft
Camerastraat 19, 1322 BB Almere, Holland

Nous déclarons par la présente que le produit du titre de ce manuel d' instructions est conforme aux exigences essentielles de santé et de sécurité des Directives CE décrites ci-dessous.

Directive : Directive de Mécanique 2006/42/CE

Fabricant : MAX CO., LTD.
1848, Kawai, Tamamura-machi, Sawa-gun,
Gunma, 370-1117 Japan

Ce produit a été évalué pour sa conformité aux directives ci-dessus en utilisant les standards Européens suivants.

Directive de Mécanique : EN ISO 12100:2010
EN792-13 :2000+A1 :2008

Titre : Directeur Général, Département Assurance de Qualité
Adresse : 1848, Kawai, Tamamura-machi, Sawa-gun,
Gunma, 370-1117 Japan

Agent de conformité agréé : MAX,EUROPE BV/Président dans
la communauté Camerastraat 19,
1322 BB Almere, Pays-Bas

Si dichiara qui che il prodotto riferito in questo manuale di istruzioni risulta conforme ai requisiti di base concernenti la salute e la sicurezza, espressi dalle direttive CE, come riportato di seguito.

Direttiva : Direttiva Macchine 2006/42/CE

Produttore : MAX CO., LTD.
1848, Kawai, Tamamura-machi, Sawa-gun,
Gunma, 370-1117 Japan

Questo prodotto è stato valutato per la conformità con le succitate direttive, secondo i seguenti standard europei.

Direttiva Macchine : EN ISO 12100:2010
EN792-13 :2000+A1 :2008

Titolo : Direttore generale, Dipartimento controllo qualità
Indirizzo : 1848, Kawai, Tamamura-machi, Sawa-gun,
Gunma, 370-1117 Giappone

Sede in Europa : MAX,EUROPE BV/Presidente della società
MAX,EUROPE Camerastraat 19,
1322 BB Almere, Olanda

Por este medio declaramos que el producto mencionado en este manual de instrucciones se encuentra en conformidad con los requerimientos de salud y de seguridad esenciales de las Directivas CE.

Diretiva : Directiva sobre Maquinaria 2006/42/CE

Fabricante : MAX CO., LTD.
1848, Kawai, Tamamura-machi, Sawa-gun,
Gunma, 370-1117 Japan

Este producto ha sido evaluado en conformidad con las directivas antes mencionadas usando los estándares de Europa.

EN792-13 :2000+A1 :2008

Titulo : Gerente general, Departamento de
aseguramiento de calidad
Dirección : 1848, Kawai, Tamamura-machi, Sawa-gun,
Gunma, 370-1117 Japan

Complier autorizado : MAX,EUROPE BV/Presidente de la comunidad
Camerastraat 19,1322 BB Almere, Holanda

- The content of this manual might be changed without notice for improvement.
- Änderungen der Betriebsanleitung zum Zwecke der Verbesserung ohne Ankündigung vorbehalten.
- Le contenu de ce manuel est sujet a modification sans preavis a des fins d'amelioration.
- I contenuti di questo manuale possono essere cambiati senza preavviso per motivi di miglioramento del prodotto.
- El contenido de este manual puede ser cambiado sin noticia previa para mejoramiento.

- The specifications and design of the products in this manual will be subject to change without advance notice due to our continuous efforts to improve the quality of our products.
- Änderungen bei technischen Daten und Design der Produkte in diesem Handbuch im Sinne der Produktverbesserung bleiben vorbehalten.
- Les caractéristiques et la conception des produits mentionnés dans ce manuel sont sujettes à des modifications sans préavis en raison de nos efforts continus pour améliorer la qualité de nos produits.
- Le caratteristiche e la concezione dei prodotti menzionati in questo manuale sono soggette a modifiche senza preavviso a causa dei nostri sforzi continui per migliorare la qualità dei nostri prodotti.
- Las características y la concepción de los productos mencionados en este manual están sujetas a modificaciones sin preaviso debido a nuestros esfuerzos continuos para mejorar la calidad de nuestros productos.



MAX EUROPE BV

Almere The Netherlands
Phone: +31-36-546-9669
FAX: +31-36-536-3985

wis.max-ltd.co.jp/int/ (GLOBAL Site)
www.max-europe.com (EUROPE Site)



4011550
140821-00/02

